

■ SPECIFICATIONS

- Voltage Rating : 250 V AC/DC
- Current Rating : 3A AC/DC
- Withstanding Voltage : 1,500V AC/minute
- Insulation Resistance : 500MΩ min
- Temperature Range : - 25°C to + 85°C
- Contact Resistance : 15mΩ max

■ HOUSING

- Part No. : JS-1140-XX
- Poles : 2 - 20
- Material : Nylon 66 UL94V-0
- Q' ty : 1,000 pcs./Bag

Poles	Part No.	Dimensions (mm)		
		A	B	C
2	JS-1140-02	2.50	5.80	8.70
3	JS-1140-03	5.00	8.30	11.20
4	JS-1140-04	7.50	10.80	13.70
5	JS-1140-05	10.00	13.30	16.20
6	JS-1140-06	12.50	15.80	18.70
7	JS-1140-07	15.00	18.30	21.20
8	JS-1140-08	17.50	20.80	23.70
9	JS-1140-09	20.00	23.30	26.20
10	JS-1140-10	22.50	25.80	28.70
11	JS-1140-11	25.00	28.30	31.20
12	JS-1140-12	27.50	30.80	33.70
13	JS-1140-13	30.00	33.30	36.20
14	JS-1140-14	32.50	35.80	38.70
15	JS-1140-15	35.00	38.30	41.20
16	JS-1140-16	37.50	40.80	43.70
17	JS-1140-17	40.00	43.30	46.20
18	JS-1140-18	42.50	45.80	48.70
19	JS-1140-19	45.00	48.30	51.20
20	JS-1140-20	47.50	50.80	53.70

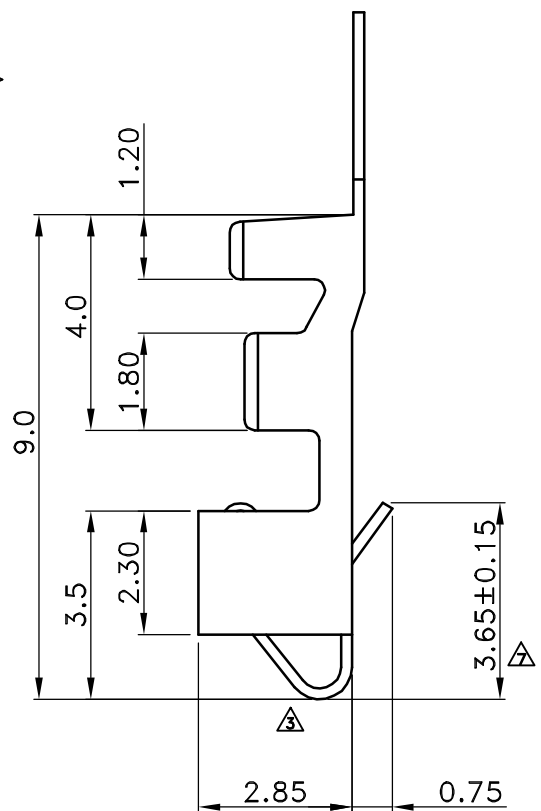
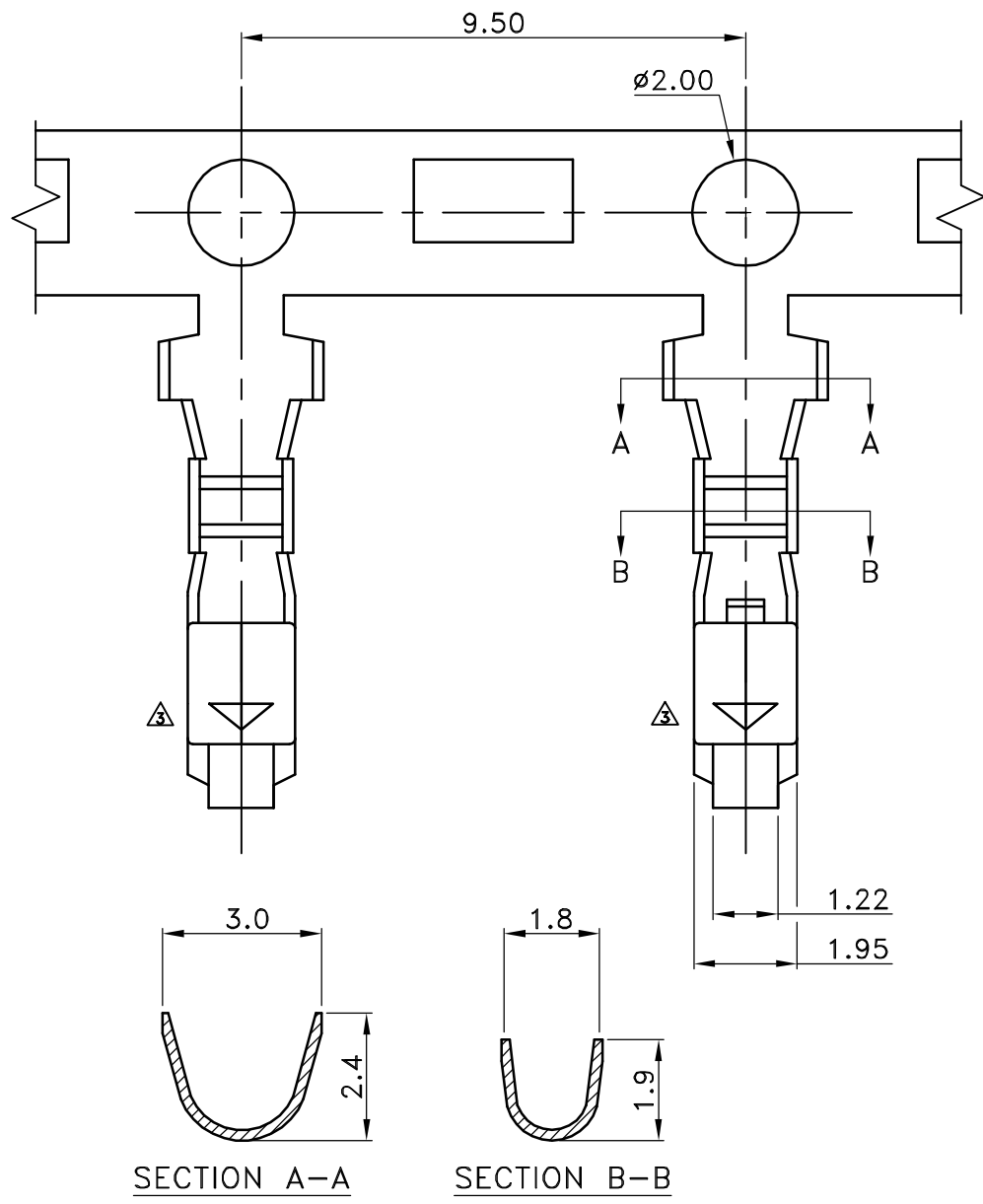


喬訊電子工業股份有限公司
CHYAO SHIUNN
ELECTRONIC INDUSTRIAL LTD.

PART NO JS-1140-XX
2.50mm Crimp Style Connectors Housing

APPROVED BY	SCALE	UNIT	TOLERANCE	LTR	REVISION RECORD	DATE	LTR	REVISION RECORD	DATE
林宗		mm	.0 ±0.3	ECR	RoHS compliant	06/04/01			
CHECKED BY	PROJ	VER NO.	.00 ±0.2	ECR	200809-003	08/09/02			
		a2	.000 ±0.1						
		SIZE	ALL ±						
DRAWN BY	DATE		ANGLE						
黃科源	2008/09/02	A4	0° ±						
			.0° ±						

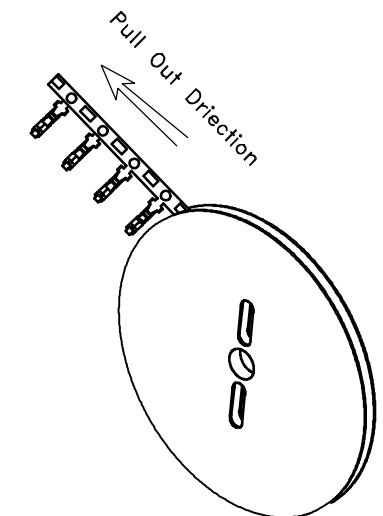
CUSTOMER
 Conforms to The RoHS Instruction




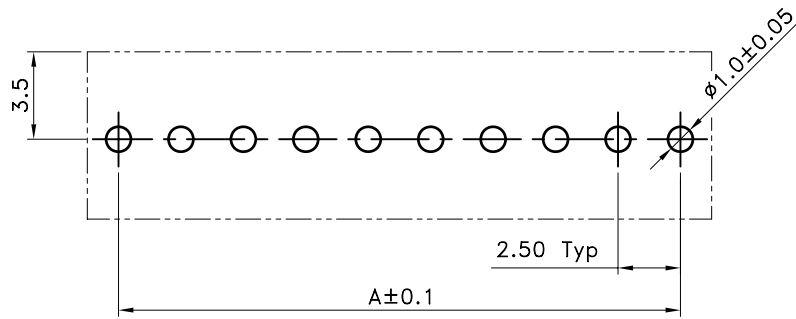
- SPECIFICATIONS
- △ Voltage Rating : 250V AC/DC
 - Current Rating : 3A AC/DC
 - Withstanding Voltage : 1,500V AC/minute
 - Insulation Resistance : 500MΩ min
 - Temperature Range : -25°C to +85°C
 - Contact Resistance : 10 milliohms Max.

■ TERMINAL
 · Part No. : JS-6503-TXX

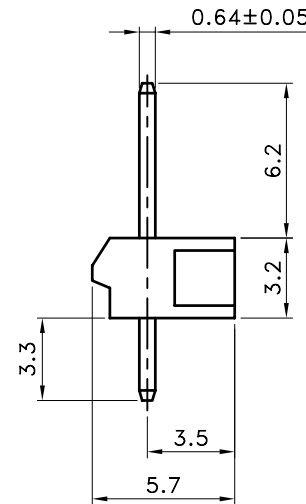
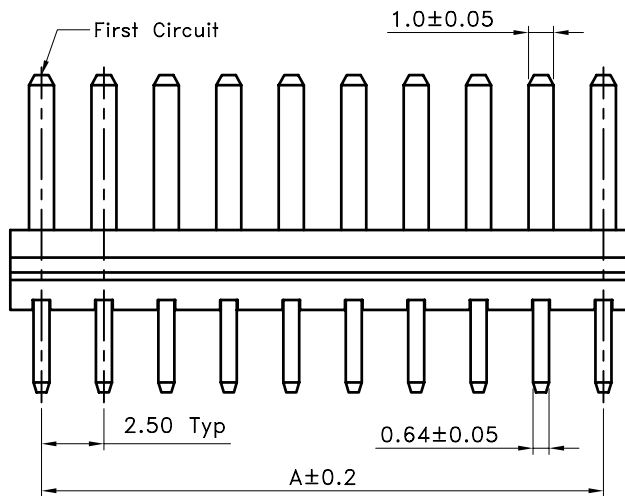
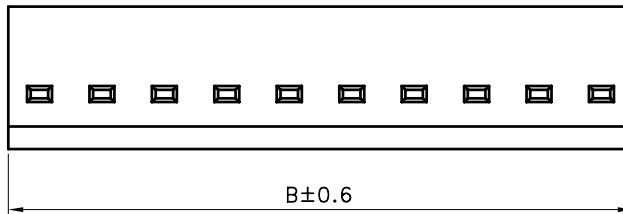
- ① Material:
- Blank : Phos. Bronze △
 - B : Brass
 - △ BP : Brass ,Stamping before Plated
 - Applicable Wires : AWG# 22 - 28
 - Finish : Tin Plated
 - Thickness : 0.2mm
 - Q' ty : 7,000 pcs./Reel



 喬訊電子工業股份有限公司 CHYAO SHIUNN ELECTRONIC INDUSTRIAL LTD.	APPROVED BY	SCALE	UNIT	TOLERANCE		LTR	REVISION RECORD	NAME	DATE	LTR	REVISION RECORD	NAME	DATE
	Tom Shih		mm	.0	±0.30	△	產品材質變更	林文彬	2006/12/30	△			
PART NO	JS-6503-TXX	CHECKED BY	PROJ	VER NO.	.00	±0.20	△	合併圖面&修改料號敘述	王誠賢	2011/07/25	△		
		Erin Chou		a7	.000	±0.10	△	修正產品外觀	吳弘文	2013/09/01	△		
DRAWN BY	DATE	SIZE	A4	ANGLE		△	修正產品外觀	吳弘文	2014/10/24		CUSTOMER		
				0°	±1°	△	物性表更新	吳弘文	2015/10/23				
2.50mm Wire to Wire Connector	Eddie	2023/01/10	A4	0°	±	△	新增電鍍選項	Eddie	2022/03/29		Conforms to The RoHS Instruction		
				SHEET	1/1	△	修正尺寸標註	Eddie	2023/01/10				



Recommended PCB Layout(Top View)



■ SPECIFICATIONS

- Voltage Rating : 250 V AC/DC
- Current Rating : 3A AC/DC
- Withstanding Voltage : 1,500V AC/minute
- Insulation Resistance : 500M Ω min
- Temperature Range : - 25 $^{\circ}$ C to + 85 $^{\circ}$ C
- Contact Resistance : 15m Ω max

■ WAFER

- Part No. : JS-1141-XX
- Poles : 2 - 20 (Straight)
- Material : Contact : Brass, Tin Plated
Base : Nylon 66 UL94V-0
- Q' ty : 1,000 pcs./Bag

Poles	Part No.	Dimensions(mm)	
		A	B
2	JS-1141-02	2.50	5.00
3	JS-1141-03	5.00	7.50
4	JS-1141-04	7.50	10.00
5	JS-1141-05	10.00	12.50
6	JS-1141-06	12.50	15.00
7	JS-1141-07	15.00	17.50
8	JS-1141-08	17.50	20.00
9	JS-1141-09	20.00	22.50
10	JS-1141-10	22.50	25.00
11	JS-1141-11	25.00	27.50
12	JS-1141-12	27.50	30.00
13	JS-1141-13	30.00	32.50
14	JS-1141-14	32.50	35.00
15	JS-1141-15	35.00	37.50
16	JS-1141-16	37.50	40.00
17	JS-1141-17	40.00	42.50
18	JS-1141-18	42.50	45.00
19	JS-1141-19	45.00	47.50
20	JS-1141-20	47.50	50.00



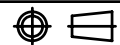
喬訊電子工業股份有限公司

CHYAO SHIUNN
ELECTRONIC INDUSTRIAL LTD.

APPROVED BY

林宗

SCALE



UNIT

mm

TOLERANCE

.0 ±0.3

LTR

ECR

REVISION RECORD

RoHS compliant

DATE

06/04/01

LTR

ECR

REVISION RECORD

200809-003

DATE

08/09/02

PART NO

JS-1141-XX

DRAWN BY

黃科源

DATE

2008/09/02

SIZE

A4

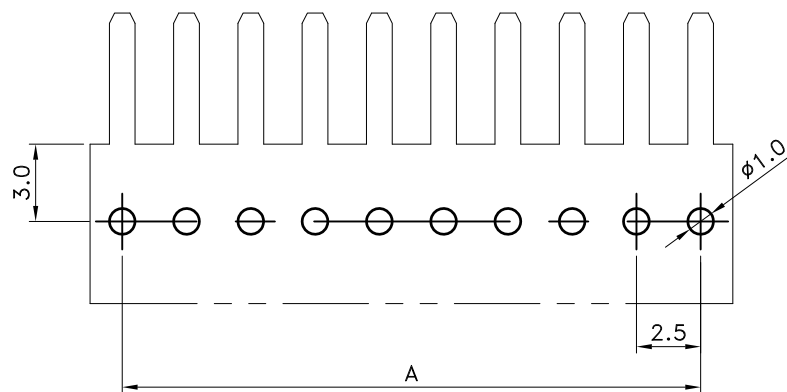
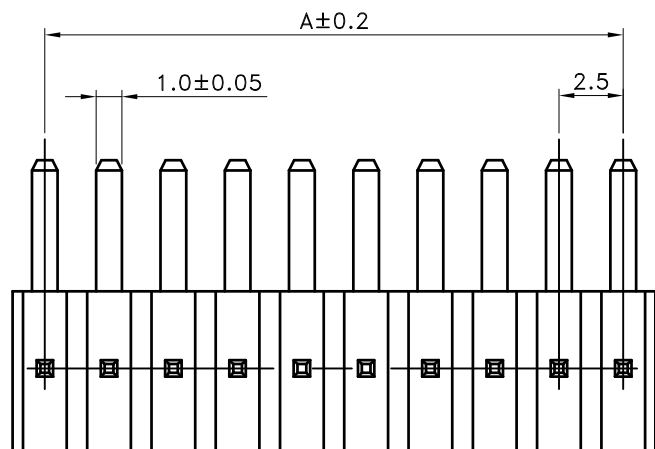
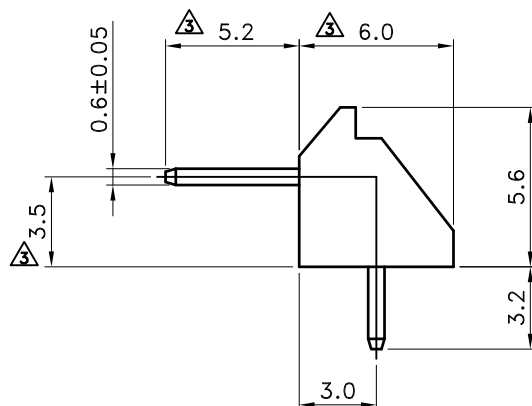
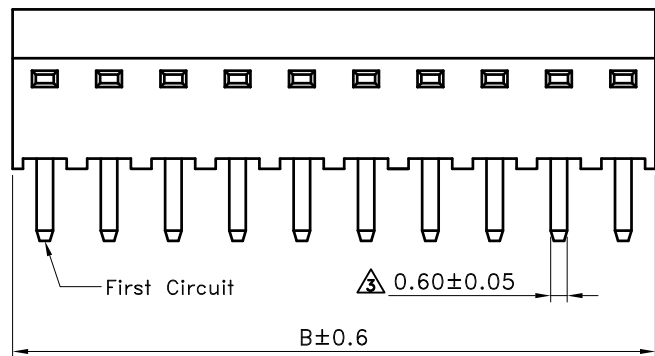
ANGLE

0° ±
.0° ±

CUSTOMER

Conforms to The RoHS Instruction

2.50mm Crimp Style Connectors Wafer



Recommended PCB Layout(Top View)
General Tolerances ±0.05

■ SPECIFICATIONS

- Voltage Rating : 250 V AC/DC
- Current Rating : 3A AC/DC
- Withstanding Voltage : 1,500V AC/minute
- Insulation Resistance : 500MΩ min
- Temperature Range : - 25°C to + 85°C
- Contact Resistance : 15mΩ max

■ WAFER

- Part No. : JS-1141R-XX
- Poles : 2 - 20 (Right ; Angle)
- Material : Contact : Brass, Tin Plated
Base : Nylon 66 UL94V-0
- Q' ty : 1,000 pcs./Bag

Poles	Dimensions(mm)	
	A	B
2	2.50	5.00
3	5.00	7.50
4	7.50	10.00
5	10.00	12.50
6	12.50	15.00
7	15.00	17.50
8	17.50	20.00
9	20.00	22.50
10	22.50	25.00
11	25.00	27.50
12	27.50	30.00
13	30.00	32.50
14	32.50	35.00
15	35.00	37.50
16	37.50	40.00
17	40.00	42.50
18	42.50	45.00
19	45.00	47.50
20	47.50	50.00



喬訊電子工業股份有限公司
CHYAO SHIUNN
ELECTRONIC INDUSTRIAL LTD.

APPROVED BY	SCALE	UNIT	TOLERANCE	LTR	REVISION RECORD	NAME	DATE	LTR	REVISION RECORD	NAME	DATE
張育瑞		mm	.0 ±0.30	△	ECR RoHS compliant	XXX	2006/04/01	△			
CHECKED BY	PROJ	VER NO.	.00 ±0.20	△	ECR200809-003	黃科源	2008/09/02	△			
周慈雲	⊕	a3	.000 ±0.10	△	尺寸修改	吳弘文	2014/12/16	△			
DRAWN BY	DATE	SIZE	ANGLE						CUSTOMER		
吳弘文	2014/12/16	A4	0° ±1°	△					Conforms to The RoHS Instruction		
			.0° ±	△							
			SHEET	1/1	△						

PART NO JS-1141R-XX
2.50mm Crimp Style Connectors Wafer