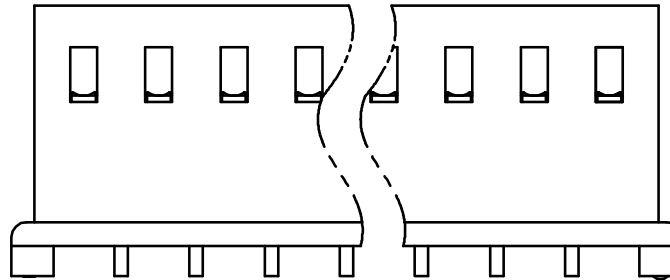


2P~8P 有凸點



△9P~15P 無凸點

■ SPECIFICATIONS

- Voltage Rating : 250V AC/DC
- Current Rating : 3A AC/DC
- Withstanding Voltage : 1000V AC/minute
- Insulation Resistance : 1,000M Ω min
- Temperature Range : - 25°C to + 85°C
- Contact Resistance : 20m Ω max

■ HOUSING

- Part No. : JS-1136-XX XX
- Code No. ① ②

- ① Poles : 2 - 15
- △② Base Color : Blank : Nature  
BK: Black

- Material : Nylon 66 UL94V-0
- Q' ty: 1,000 pcs./Bag

Poles	Dimensions(mm)		
	A	B	C
2	2.50	5.80	6.60
3	5.00	8.30	9.10
4	7.50	10.80	11.60
5	10.00	13.30	14.10
6	12.50	15.80	16.60
7	15.00	18.30	19.10
8	17.50	20.80	21.60
9	20.00	23.30	
10	22.50	25.80	
11	25.00	28.30	
12	27.50	30.80	
13	30.00	33.30	
14	32.50	35.80	
15	35.00	38.30	



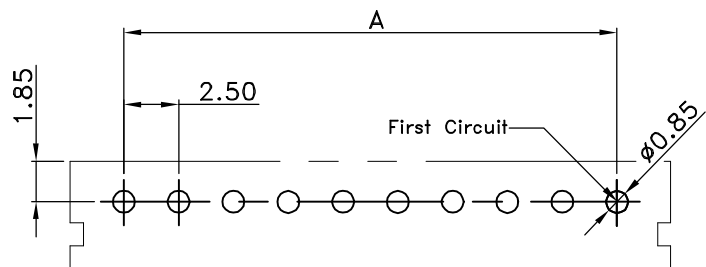
喬訊電子工業股份有限公司  
CHYAO SHIUNN  
ELECTRONIC INDUSTRIAL LTD.

PART NO JS-1136-XXXX

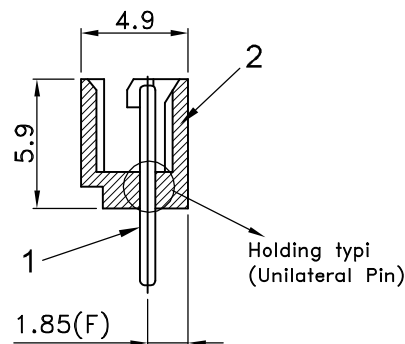
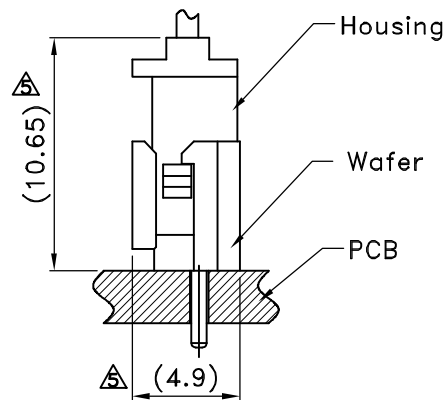
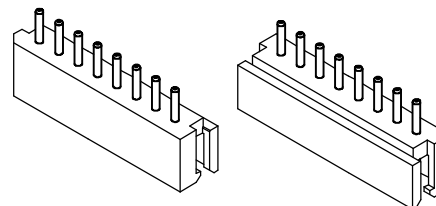
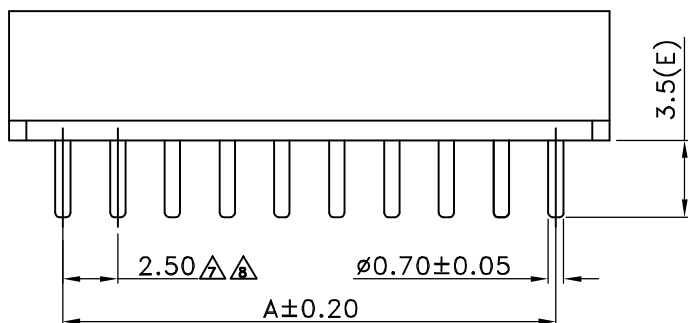
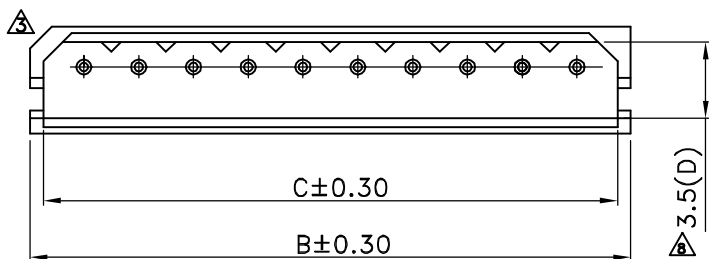
2.50mm Crimp Style Connectors Housing

APPROVED BY	SCALE	UNIT	TOLERANCE	LTR	REVISION RECORD	NAME	DATE	LTR	REVISION RECORD	NAME	DATE
Tom Shih		mm	.0 ±0.30	△	ECR 200810-005	黃科源	2008/10/22	△			
CHECKED BY	PROJ	VER NO.	.00 ±0.20	△	更正三角記號位置, 尺寸依實物修正	吳弘文	2013/09/23	△			
Erin Chou		a5	.000 ±0.10	△	修定05.07P B尺寸	吳弘文	2014/09/16	△			
DRAWN BY	DATE	SIZE	ANGLE	△	刪除三角記號, 尺寸修定	吳弘文	2015/12/03				
Tom Lee	2017/08/02	A4	0° ±1°	△	增加膠體無凸點圖示和膠體顏色	Tom Lee	2017/08/02				
			0° ±	△							
			SHEET 1/1	△							

CUSTOMER  
Conforms to The RoHS Instruction



RECOMMENDED PCB LAYOUT(TOP VIEW)  
General tolerance  $\pm 0.05$



■ SPECIFICATIONS

- Current Rating : 3A AC/DC
- Withstanding Voltage : 1,000V AC/minute
- Insulation Resistance : 1,000M  $\Omega$  min
- Temperature Range : - 25°C to + 85°C
- Contact Resistance : 20m  $\Omega$  max

■ WAFER

- Part No. : JS-1135-XX X (XX XX) XX

- ① Poles : 02~15(Straight)  $\Delta$
- ② Blank : Standard Construction  
S : Holding Construction
- ③ Blank : PA 66 V-2  
V0 : PA 66 V-0  
GF : PA 66 V-0+G.F.  $\Delta$   
PA : PA 46 UL94V-0  $\Delta$
- ④ Blank : Bright-Tin(Sn 120 u", Ni 30 u")  
N2 : Bright-Tin(Sn 150 u", Ni 60 u")  
NM : Matte-Tin( Sn 120 u", Ni 30 u")
- ⑤ Color : Blank: Nature  $\Delta$   
YW : Yellow  
BU : Blue  
RD : Red  
BK : Black  $\Delta$
- Material :  $\Delta$ 
    - 1.Contact : Brass, Tin Plated
    - 2.Base : PA 66 V-0 / PA 66 V-2(Poles No. : 2~15P)  
PA 66 V-0 + G.F.(Poles No. Only : 2~14P)  
PA 46 UL94V-0(Poles No. Only : 2~8P)  $\Delta$
  - Q' ty : 1,000 pcs./Bag
  - Note :
    - 1.The PA 66 V-0+G.F. meet IEC 60335-1, Section 30.2.3

Poles	Dimensions (mm)		
	A	B	C
2	2.50	7.50	6.00
3	5.00	10.00	8.50
4	7.50	12.50	11.00
5	10.00	15.00	13.50
6	12.50	17.50	16.00
7	15.00	20.00	18.50
8	17.50	22.50	21.00
9	20.00	25.00	23.50
10	22.50	27.50	26.00
11	25.00	30.00	28.50
12	27.50	32.50	31.00
13	30.00	35.00	33.50
14	32.50	37.50	36.00
15	35.00	40.00	38.50

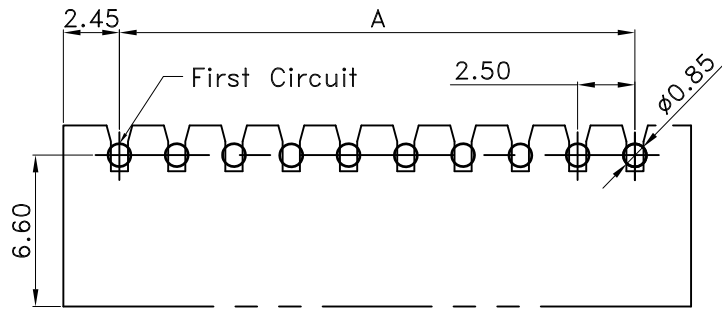


喬訊電子工業股份有限公司  
CHYAO SHIUNN  
ELECTRONIC INDUSTRIAL LTD.

PART NO JS-1135-XXX(XXXX)XX

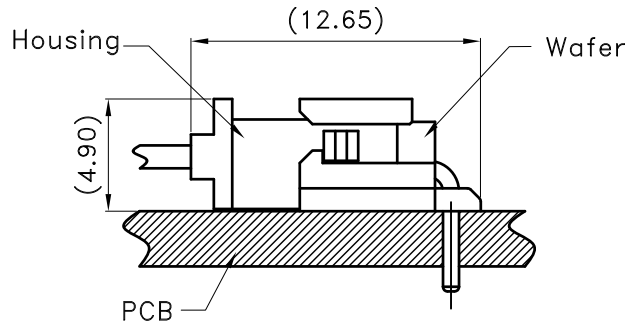
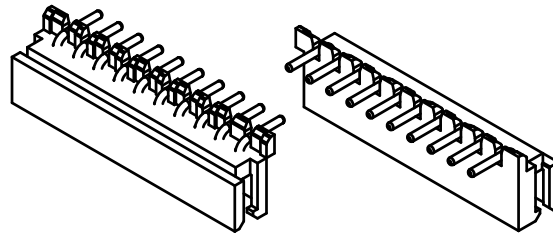
2.50mm Crimp Style Connectors Wafer

APPROVED BY	SCALE	UNIT	TOLERANCE	LTR	REVISION RECORD	NAME	DATE	LTR	REVISION RECORD	NAME	DATE	
Tom Shih	1:1	mm	.0	$\pm 0.30$	$\Delta$	變更原因遺失	余秀麗	2005/05/15	$\Delta$	增加PA料選項	曾慶根	2017/05/03
CHECKED BY	PROJ	VER NO.	.00	$\pm 0.20$	$\Delta$	零件針腳數目最大為20修改成15	黃科源	2008/10/21	$\Delta$	新增顏色選項	Eddie	2021/04/22
Erin Chou	$\odot$	a9	.000	$\pm 0.10$	$\Delta$	圖面與實物不符	林文泰	2010/01/04	$\Delta$			
DRAWN BY	DATE	SIZE	ANGLE		$\Delta$	將其他雙異體料號融合為一張圖	王誠賢	2010/06/28	CUSTOMER			
Eddie	2021/04/22	A4	0°	$\pm 1°$	$\Delta$	追加(GF)註記	劉怡瑩	2011/01/12				
			0°	$\pm$	$\Delta$	修正15PIN中B尺寸,修改打內K位置	黃廣珍	2014/05/08	Conforms to The RoHS Instruction			
			SHEET	1/1	$\Delta$	增加材質內容說明,修改相關尺寸標注	藍美娜	2016/11/21				

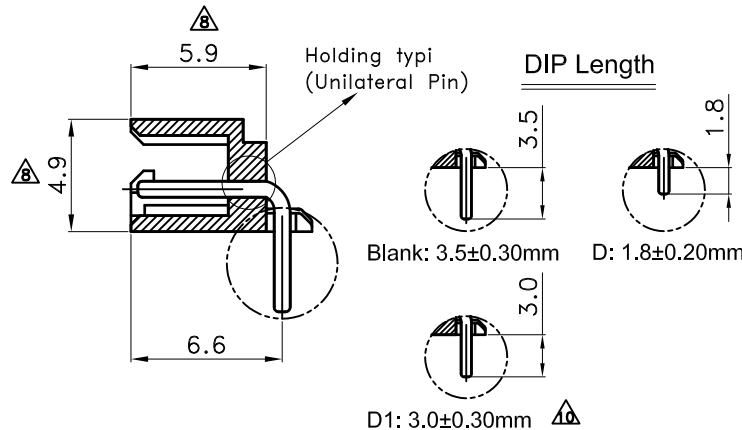
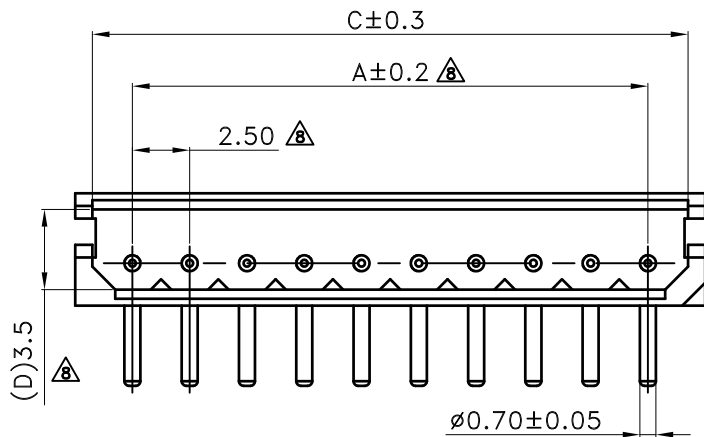
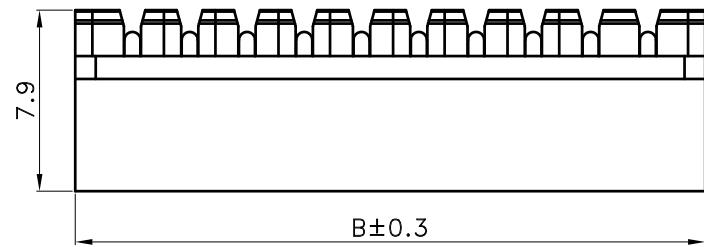


Recommended PCB Layout(Top View)

General tolerance  $\pm 0.05$



Assembly Layout (REF.)



■ SPECIFICATIONS

- Current Rating : 3A AC/DC
- Withstanding Voltage : 1,000V AC/minute
- Insulation Resistance : 1,000M  $\Omega$  min
- Temperature Range : - 25 $^{\circ}$ C to + 85 $^{\circ}$ C
- Contact Resistance : 20m  $\Omega$  max

■ WAFER

• Part No. : JS-1135R-XX X(XX X XX) X XX

① ② ③ ④ ⑤ ⑥ ⑦

- ① Poles NO.2~15
- ② Blank: Standard Construction  
S: Holding Construction
- ③ Plastic Blank : PA 66 V-2;  
V0 : PA 66 V-0;  
GF : PA 66 V-0+G.F ;  
PA : PA 46 V-0;  
6TNH1 : PA 6T V-0 (Halogen Free);Color Nature  $\Delta$   
LC : LCP V-0 ;Color Nature
- ④ DIP Length: Blank:  $3.5 \pm 0.30\text{mm}$ ;  
D:  $1.8 \pm 0.20\text{mm}$   
D1:  $3.0 \pm 0.30\text{mm}$   $\Delta$
- ⑤ Plated: Blank : Tin Plated ;  
N2 : Tin Plated(Ni 60u" + Sn 150u")  
NM: Matte Tin Plated  $\Delta$
- ⑥ Color : Blank : Nature  
YW : Yellow  $\Delta$
- ⑦ Packing : Blank : Q'ty : 1000pcs/ Bag  
/R : Tape & Reel  $\Delta$   
/A : Tube  $\Delta$
- Poles : 1.JS-1135R-XX: 2 - 15(Right Angle)  
2.JS-1135R-XXX(GFN2): 2 - 8(Right Angle)  
3.JS-1135R-XXX(PAXXX): 2 - 15(Right Angle)  $\Delta$   
4.JS-1135R-XXX(PAXXX): 2 - 8(Right Angle)
- Material : 1.Contact : Brass  
2. Base : Refer the above narrative

Poles	Dimensions (mm)			Poles	Dimensions (mm)		
	A	B	C		A	B	C
2	2.50	7.50	6.00	9	20.00	25.00	23.50
3	5.00	10.00	8.50	10	22.50	27.50	26.00
4	7.50	12.50	11.00	11	25.00	30.00	28.50
5	10.00	15.00	13.50	12	27.50	32.50	31.00
6	12.50	17.50	16.00	13	30.00	35.00	33.50
7	15.00	20.00	18.50	14	32.50	37.50	36.00
8	17.50	22.50	21.00	15	35.00	40.00	38.50



喬訊電子工業股份有限公司

CHYAO SHIUNN  
ELECTRONIC INDUSTRIAL LTD.

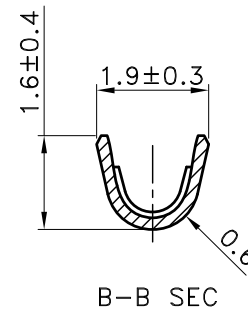
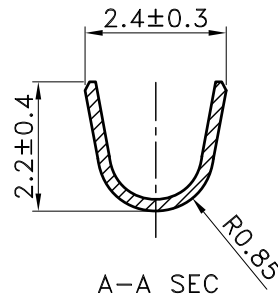
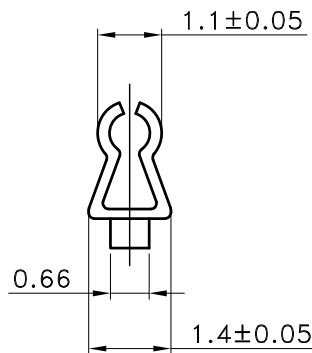
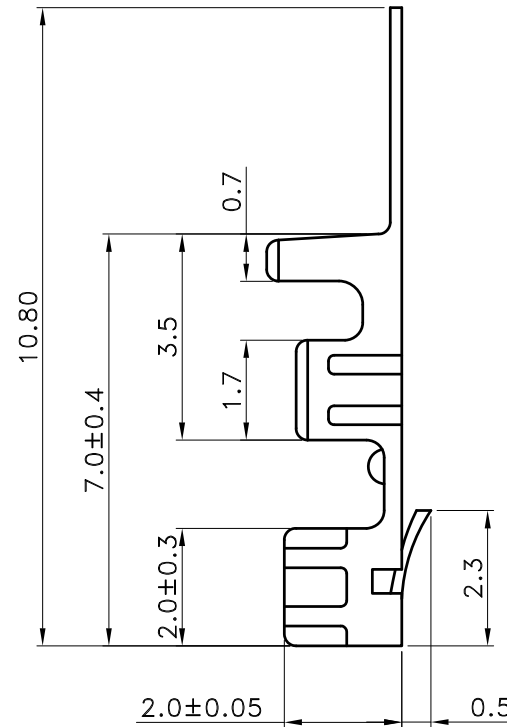
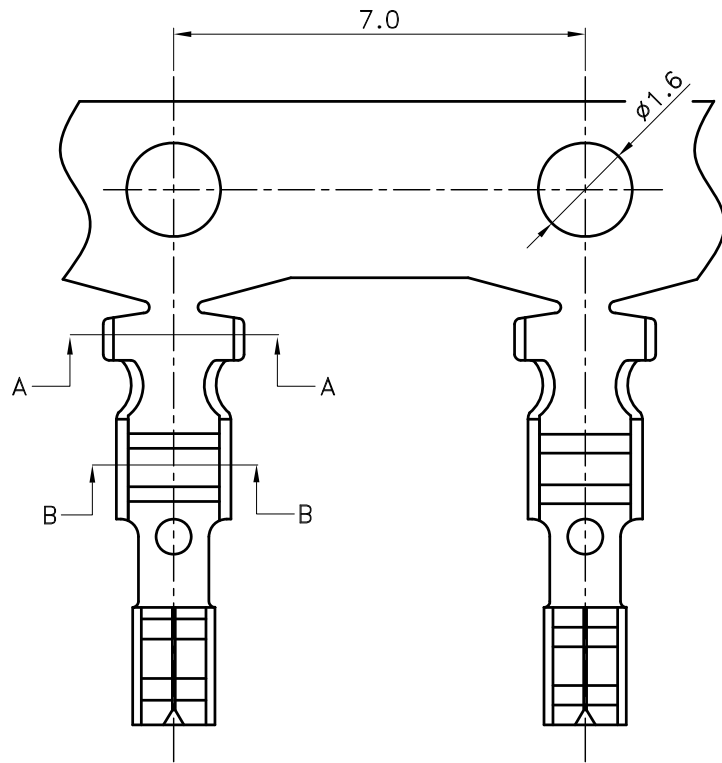
PART NO JS-1135R-XXX(XXXXX)X

2.50mm Crimp Style Connectors Wafer

APPROVED BY	SCALE	UNIT	TOLERANCE	LTR	REVISION RECORD	NAME	DATE	LTR	REVISION RECORD	NAME	DATE
Tom Shih		mm	.0 $\pm 0.30$	$\Delta$	將其他變異體料號融合為一張圖	劉怡萱	2011/05/24	$\Delta$	增加1cp規格選項	謝君	2024/02/22
CHECKED BY	PROJ	VER NO.	.00 $\pm 0.20$	$\Delta$	新增DIP Length: D: 1.8 $\pm$ 0.20, 產品要求卷裝	周家慶	2013/06/27	$\Delta$			
劉娜	$\odot$	a12	.000 $\pm 0.10$	$\Delta$	增加材質內容說明以及增加打單邊內K視圖	藍美娜	2016/11/07	$\Delta$			
DRAWN BY	DATE	SIZE	ANGLE	$\Delta$	刪除內K視圖, 修改相關尺寸標注	藍美娜	2016/11/21				
謝君	2024/02/22	A4	0 $^{\circ}$ $\pm 1^{\circ}$	$\Delta$	增加鍍霧錫NM選項	曾慶根	2017/04/11				
			0 $^{\circ}$ $\pm$	$\Delta$	增加PIN針腳長D1:3.0mm尺寸	Tom Lee	2017/04/19				
			SHEET 1/1	$\Delta$	增加無齒6T規格選項	謝君	2020/09/30				

CUSTOMER

Conforms to The RoHS Instruction



■ SPECIFICATIONS

- Voltage Rating : 250V AC/DC
- Current Rating : 3A AC/DC
- Withstanding Voltage : 1,000V AC/minute
- Insulation Resistance : 1,000M $\Omega$  min.
- Temperature Range : - 25 $^{\circ}$ C to + 85 $^{\circ}$ C
- Contact Resistance : 20m $\Omega$  max.

■ TERMINAL

- Part No. : JS-1136-T
- Applicable Wires : AWG# 22 - 28
- Material : Phos.Phor. Bronze
- Finish : Tin Plated
- Thickness : 0.2mm
- Q' ty : 10,000 pcs/Reel



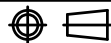
喬訊電子工業股份有限公司

CHYAO SHIUNN  
ELECTRONIC INDUSTRIAL LTD.

APPROVED BY

林宗

SCALE



UNIT

mm

TOLERANCE

.0 ±0.3

.00 ±0.2

.000 ±0.1

ALL ±

ANGLE

0° ±

.0° ±

LTR

ECR

ECR

REVISION RECORD

RoHS Compliant

200710-001

DATE

07/01/05

03/10/07

LTR

REVISION RECORD

CUSTOMER

Conforms to The RoHS Instruction

PART NO

JS-1136-T

2.50mm Crimp Style Connectors Terminal

DRAWN BY

黃科源

DATE

2007/10/03

SIZE

A4