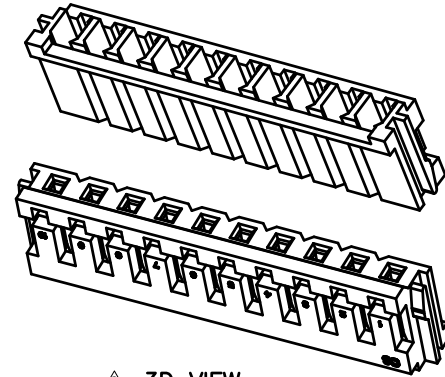


SECTION A-A



3D VIEW

SPECIFICATIONS

- Current Rating : 3A AC/DC
- Withstanding Voltage : 1,000V AC/minute
- Insulation Resistance : 1,000M Ω min
- Temperature Range : - 25°C to + 85°C
- Contact Resistance : 20m Ω max.

HOUSING

- Part No. : JS-1131-XX XX

① POLES: 2~15 ① ②

② COLOR:
BLANK : Nature(Standard)
E : Green
BK : Black ▲

- Material : Nylon 66 UL94V-0
- Q' ty : 1,000 pcs./Bag

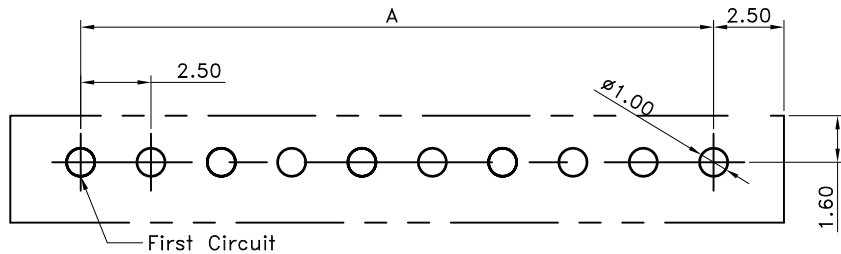
Poles	Dimensions(mm)		
	A	B	C
2	2.50	7.00	5.40
3	5.00	9.50	7.90
4	7.50	12.00	10.40
5	10.00	14.50	12.90
6	12.50	17.00	15.40
7	15.00	19.50	17.90
8	17.50	22.00	20.40
9	20.00	24.50	22.90
10	22.50	27.00	25.40
11	25.00	29.50	27.90
12	27.50	32.00	30.40
13	30.00	34.50	32.90
14	32.50	37.00	35.40
15	35.00	39.50	37.90



喬訊電子工業股份有限公司
CHYAO SHIUNN
ELECTRONIC INDUSTRIAL LTD.

Part No JS-1131-XX
2.50mm Crimp Style Connectors Housing

APPROVED BY	SCALE	UNIT	TOLERANCE	LTR	REVISION RECORD	NAME	DATE	LTR	REVISION RECORD	NAME	DATE
張育瑞	1:1	mm	.0 ±0.30	▲	ECR RoHS compliant		07/01/02	▲			
CHECKED BY	PROJ	VER NO.	.00 ±0.20	▲	ECR 200811-011	黃科源	08/11/11	▲			
周家慶	☉	α4	.000 ±0.10	▲	圖面整理	jack-z	11/09/20	▲			
DRAWN BY	DATE	SIZE	ANGLE	▲	增加BK黑色選項及刪除NH	曾慶根	2015/09/11		CUSTOMER		
曾慶根	2015-09-11	A4	0° ±1°	▲					Conforms to The RoHS Instruction		
			.0° ±	▲							
			SHEET 1/1	▲							



Recommended PCB Layout (Top View)

General Tolerance ± 0.05

Poles	Dimensions(mm)	
	A	B
2	2.50	7.50
3	5.00	10.00
4	7.50	12.50
5	10.00	15.00
6	12.50	17.50
7	15.00	20.00
8	17.50	22.50
9	20.00	25.00
10	22.50	27.50
11	25.00	30.00
12	27.50	32.50
13	30.00	35.00
14	32.50	37.50
15	35.00	40.00

■ SPECIFICATIONS

- Voltage Rating : 250V AC/DC
- Current Rating : 3A AC/DC
- Withstanding Voltage : 800V AC/minute
- Insulation Resistance : 1,000M Ω min
- Temperature Range : - 25 $^{\circ}$ C to + 85 $^{\circ}$ C
- Contact Resistance : 20m Ω max

■ WAFER

- Part No. : JS-1132-XX X (XX X X) XX Δ

① ② ③ ④ ⑤ ⑥

Code No.

- ① Poles
2~15 (Straight)
- ② Structure
Blank : Normal Type(Standard)
S : Holding Structure
- ③ Plated
Blank : Bright-Tin Plated(Standard)
G : Gold Plated
NM : Matte-Tin Plated
- ④ Kink Type
Blank : With Kink(Standard)
NK : Without Kink
- ⑤ DIP Length
Blank : 3.4mm(Standard)
D : 3.2mm

⑥ Color

Blank : Nature(Standard)

R : Red

Y : Yellow

BK : Black

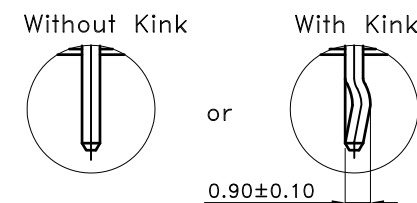
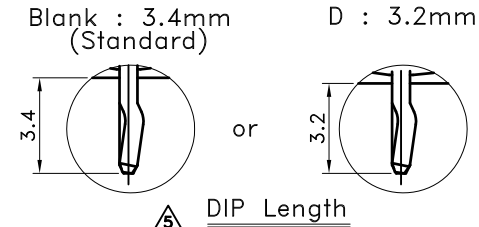
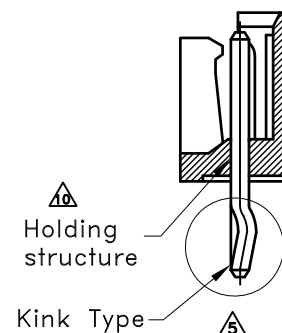
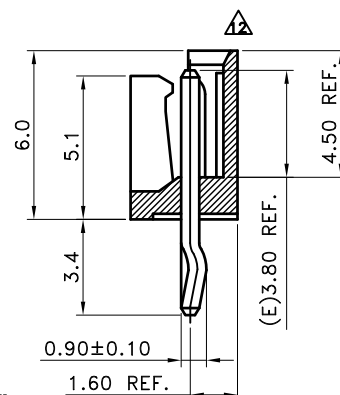
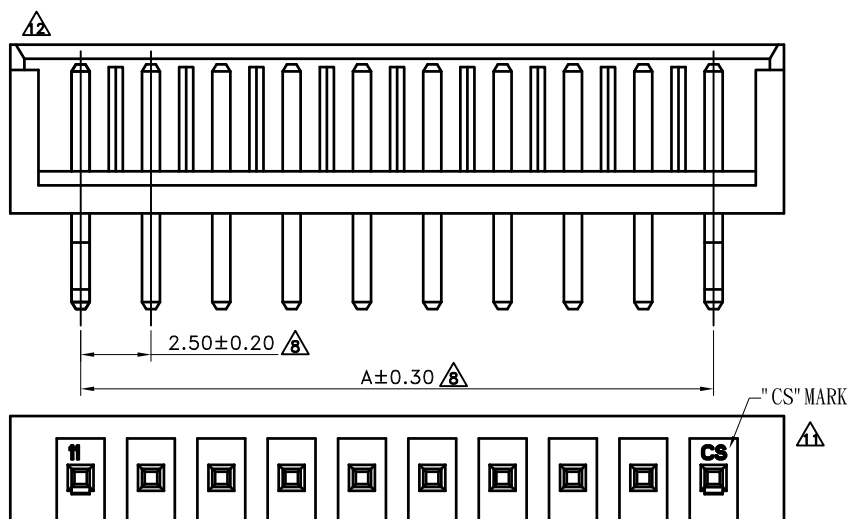
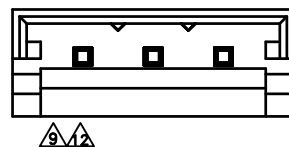
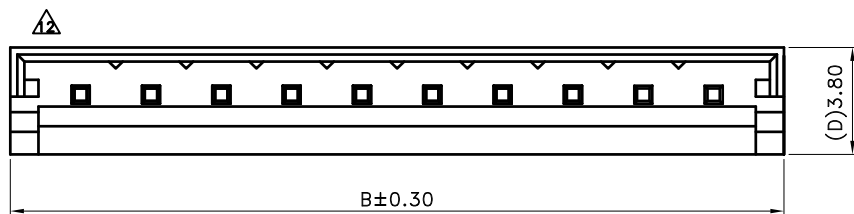
BU : Blue

Packing : Bag Δ Δ

• Material :

Contact : Brass

Base : Nylon 66 UL94V-0



Δ Structure Reference



喬訊電子工業股份有限公司

CHYAO SHIUNN
ELECTRONIC INDUSTRIAL LTD.

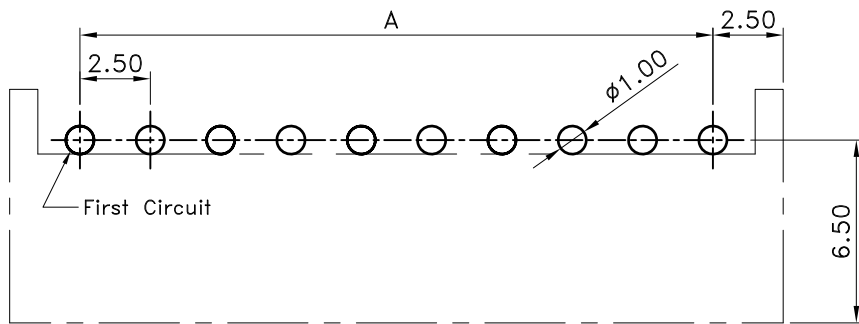
PART NO JS-1132-XXX(XXXX)XXXXX

2.50mm Crimp Style Connectors Wafer

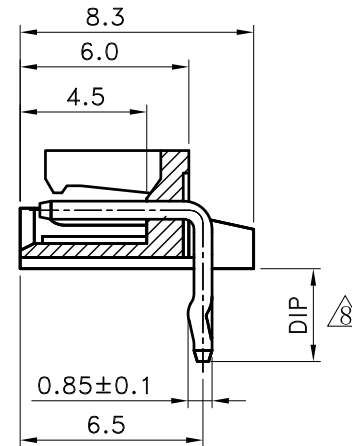
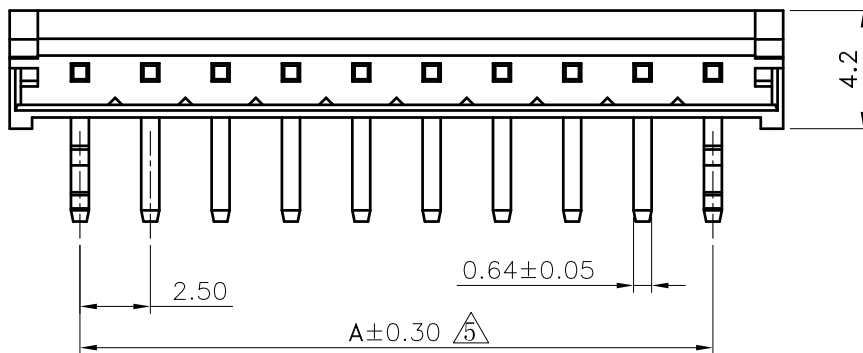
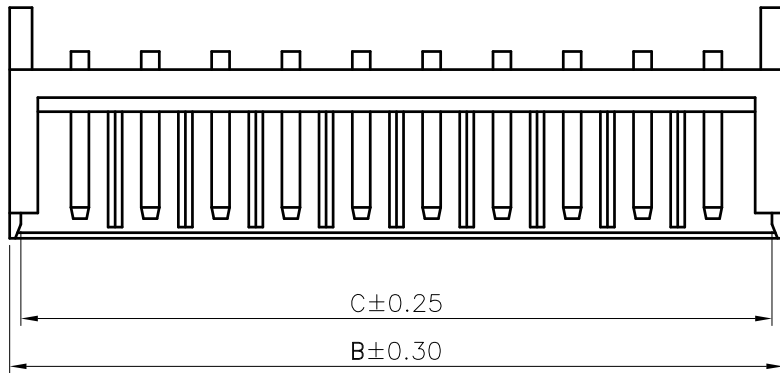
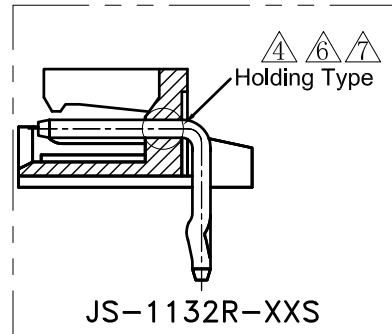
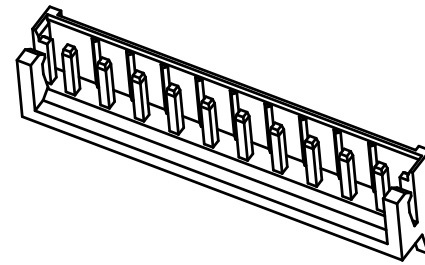
APPROVED BY	SCALE	UNIT	TOLERANCE	LTR	REVISION RECORD	NAME	DATE	LTR	REVISION RECORD	NAME	DATE
張育瑞		mm	.0 ± 0.30	Δ	ECR 200811-011	XXX	2008/11/11	Δ	把原螺旋PIN修正為機台打內K	曾慶根	2017/06/30
CHECKED BY	PROJ	VER NO.	.00 ± 0.20	Δ	ECR 200904-012	黃科源	2009/04/21	Δ	Add View	Eddie	2020/08/21
劉娜	\odot \square	a12	.000 ± 0.10	Δ	合併圖面	吳弘文	2012/06/21	Δ	取消卷帶包裝和帶蓋帽選項	謝君	2021/10/13
DRAWN BY	DATE	SIZE	ANGLE								
謝君	2021/10/13	A4	0 $^{\circ}$	$\pm 1^{\circ}$	Δ	增加cap選項	張逸維	2013/04/22			
			0 $^{\circ}$	\pm	Δ	增加包裝選項	吳弘文	2014/02/24			
			SHEET	1/1	Δ	調整尺寸公差	劉國紅	2014/09/05			
					Δ	修正產品圖面及layout公差敘述	Tom Lee	2017/06/21			

CUSTOMER

Conforms to The RoHS Instruction



Recommended PCB Layout
General Tolerance ± 0.05



■ SPECIFICATIONS

- Voltage Rating : 250V AC/DC
- Current Rating : 3A AC/DC
- Withstanding Voltage : 800V AC/minute
- Insulation Resistance : 1,000M Ω min
- Temperature Range : - 25 $^{\circ}$ C to + 85 $^{\circ}$ C
- Contact Resistance : 20m Ω max

■ WAFER

- Part No. : JS-1132R-XX X(XX)

① ② ③ ④

- ① Poles: 02~15
- ② Structure:
Blank : Normal Type(Standard)
S : Holding Type ④
- ③ DIP Length: Blank: 3.3mm ⑧
D: 2.7mm ⑧
D1: 2.2mm
D2: 2.5mm

- Material :
Contact : Brass, Tin Plated
Base : Nylon 66 UL94V-0
- Q' ty : 1,000 pcs./Bag

Poles	Dimensions(mm)		
	A	B	C
02	2.50	7.50	6.70
03	5.00	10.00	9.20
04	7.50	12.50	11.70
05	10.00	15.00	14.20
06	12.50	17.50	16.70
07	15.00	20.00	19.20
08	17.50	22.50	21.70
09	20.00	25.00	24.20
10	22.50	27.50	26.70
11	25.00	30.00	29.20
12	27.50	32.50	31.70
13	30.00	35.00	34.20
14	32.50	37.50	36.70
15	35.00	40.00	39.20



喬訊電子工業股份有限公司

CHYAO SHIUNN
ELECTRONIC INDUSTRIAL LTD.

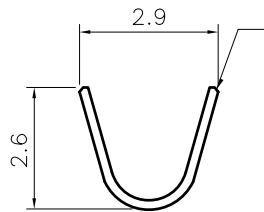
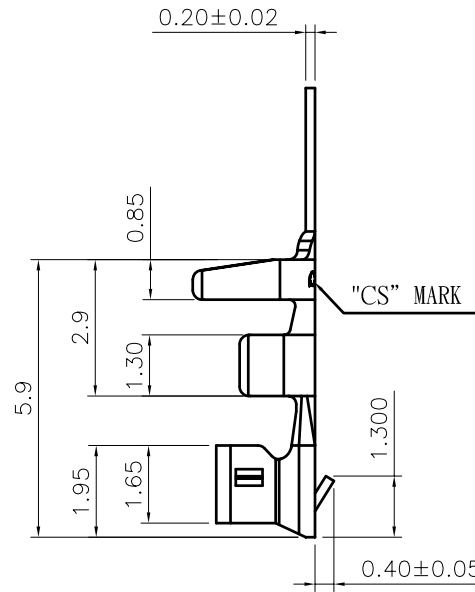
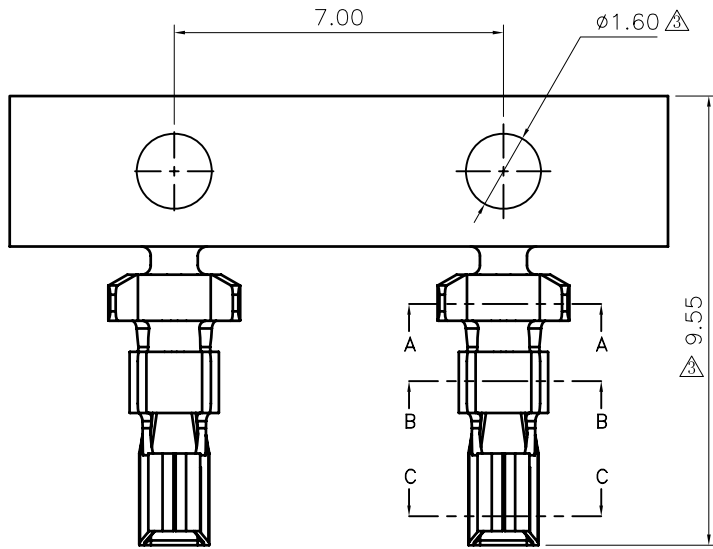
PART NO JS-1132R-XXX

2.50mm Crimp Style Connectors Base

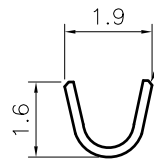
APPROVED BY	SCALE	UNIT	TOLERANCE	LTR	REVISION RECORD	NAME	DATE	LTR	REVISION RECORD	NAME	DATE
簡子欽		mm	.0 ± 0.30	④	/	/	/	④	增加DIP選項	曾慶根	2018/09/19
CHECKED BY	PROJ	VER NO.	.00 ± 0.20	④	RoHS compliant	黃科源	2007/01/02	④			
周家慶	④	a8	.000 ± 0.10	④	ECR 200811-011	黃科源	2008/11/11	④			
DRAWN BY	DATE	SIZE	ANGLE								
曾慶根	2018/09/19	A4	0 $^{\circ}$	④	PIN針增加打內K及修訂料號	任程輝	2013/05/15				
			$\pm 1^{\circ}$	⑤	調整尺寸公差	劉國紅	2014/09/05				
			0 $^{\circ}$	⑥	取消打內K修改PIN針為螺旋K	吳小平	2016/06/16				
			SHEET	1/1	④	把原螺旋PIN修正為機台打內K	曾慶根	2017/07/07			

CUSTOMER

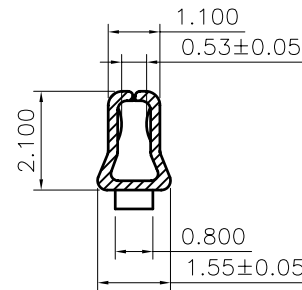
Conforms to The RoHS Instruction



A-A SEC



B-B SEC



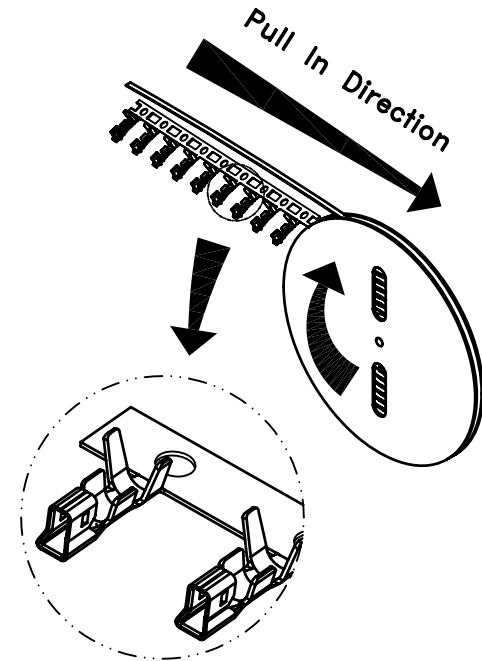
C-C SEC

SPECIFICATIONS

- Current Rating : 3A AC/DC
- Withstanding Voltage : 800V AC/minute
- Insulation Resistance : 1,000M Ω min
- Temperature Range : - 25°C to + 85°C
- Contact Resistance : 20m Ω max

TERMINAL

- Part No. : JS-1131-T
- Applicable Wires : AWG# 22 ~ 28
- Material : Phos. Bronze
- Finish : Tin Plated
- Thickness : 0.2mm
- Q' ty: 10,000pcs./Reel



△ 收料圖



喬訊電子工業股份有限公司
CHYAO SHIUNN
ELECTRONIC INDUSTRIAL LTD.

APPROVED BY	SCALE	UNIT	TOLERANCE	LTR	REVISION RECORD	NAME	DATE	LTR	REVISION RECORD	NAME	DATE
張育瑞	1:1	mm	.0 ±0.30	△	RoHS Compliant		06/04/01	△			
CHECKED BY	PROJ	VER NO.	.00 ±0.20	△	ECR 200805-009	黃科源	08/05/16	△			
周家慶	⊕ □	a3	.000 ±0.10	△	圖面整理	jack	11/09/20	△			
DRAWN BY	DATE	SIZE	ANGLE	△					CUSTOMER		
jack-y	2011-09-20	A4	0° ±1°	△					Conforms to The RoHS Instruction		
			.0° ±	△							
			SHEET 1/1	△							

Part No JS-1131-T
2.50mm Crimp Style Connectors Terminal