

A-A SEC

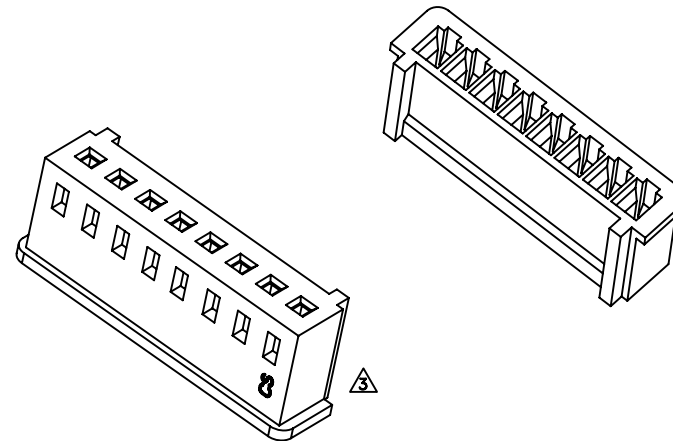
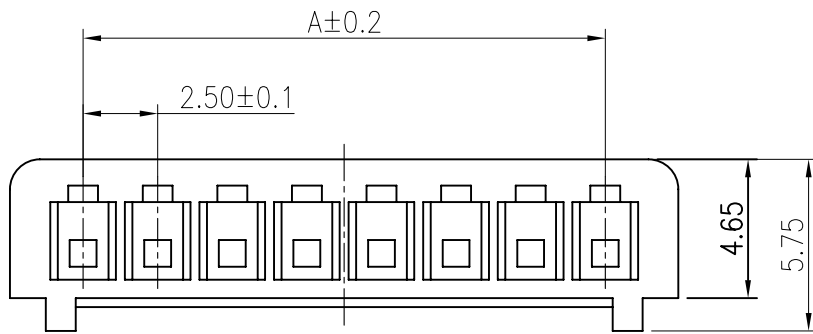
Mated Height(REF.)

■ SPECIFICATIONS

- Current Rating: 3A AC/DC
- Withstanding Voltage: 1,000V AC/minute
- Insulation Resistance: 1,000MΩ min.
- Temperature Range: -25°C to +85°C
- Contact Resistance: 20mΩ max.

■ HOUSING

- Part No. : JS-1128-XXX
- JS-1128-XX : GP Produces
- Poles : 2 - 15
- Material : Nylon 66 UL94V-2
- Q' ty: 1,000 pcs./Bag



Poles	Dimension(mm)	
	A	B
2	2.50	6.00
3	5.00	8.50
4	7.50	11.00
5	10.00	13.50
6	12.50	16.00
7	15.00	18.50
8	17.50	21.00
9	20.00	23.50
10	22.50	26.00
11	25.00	28.50
12	27.50	31.00
13	30.00	33.50
14	32.50	36.00
15	35.00	38.50

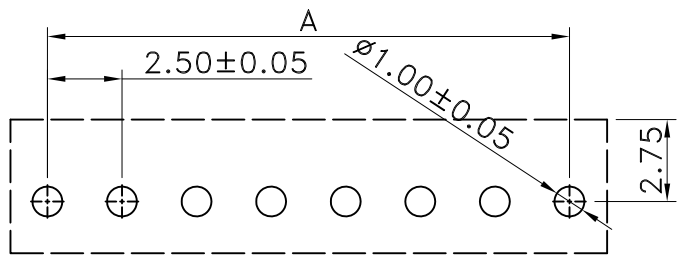


喬訊電子工業股份有限公司
CHYAO SHIUNN
ELECTRONIC INDUSTRIAL LTD.

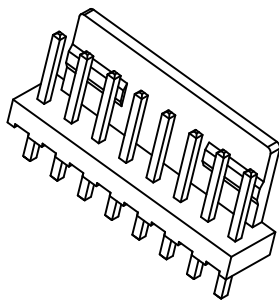
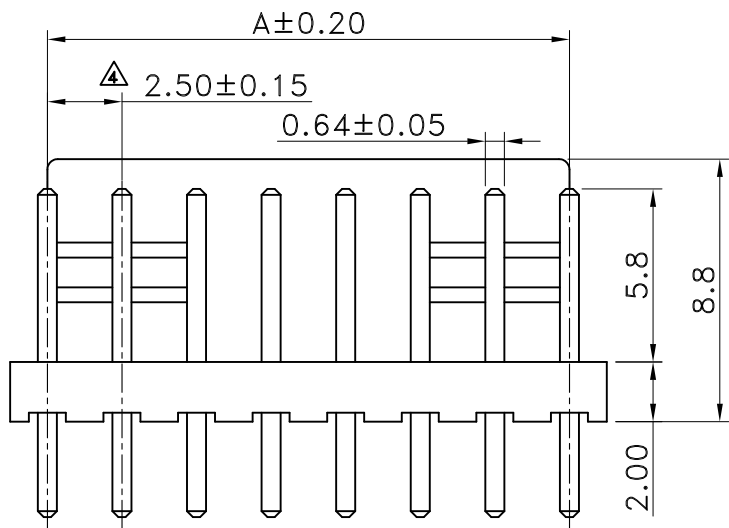
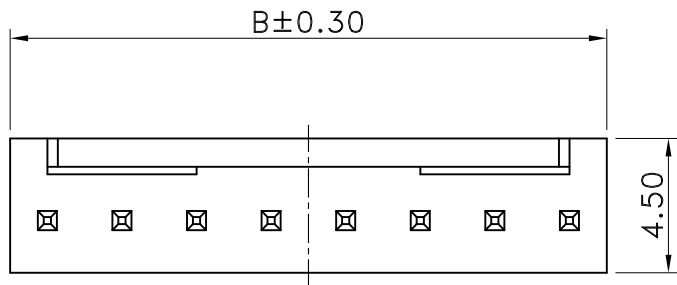
PART NO JS-1128-XX

2.50mm Crimp Style Connectors Housing

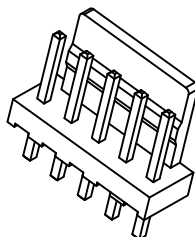
APPROVED BY	SCALE	UNIT	TOLERANCE	LTR	REVISION RECORD	NAME	DATE	LTR	REVISION RECORD	NAME	DATE
張育瑞		mm	.0 ±0.30	▲		2005/05/15	余秀麗	▲			
CHECKED BY	PROJ	VER NO.	.00 ±0.20	▲		2009/08/19	王 磊	▲			
周家慶	⊕ □	a3	.000 ±0.10	▲	追加組合圖	2011/11/11	胡丹桂	▲			
DRAWN BY	DATE	SIZE	ANGLE	▲					CUSTOMER		
胡丹桂	2011/11/11	A4	0° ±1°	▲					Conforms to The RoHS Instruction		
			.0° ±	▲							
			SHEET 1/1	▲							



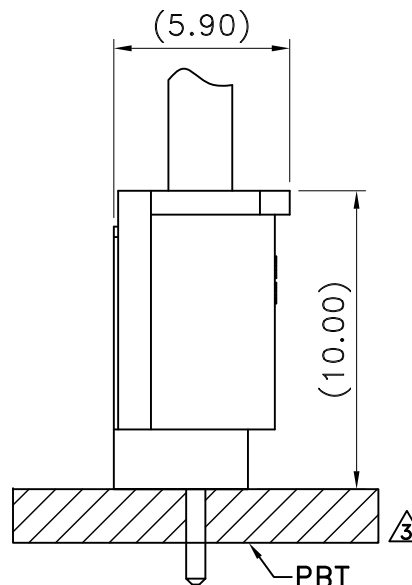
Recommended PCB Layout



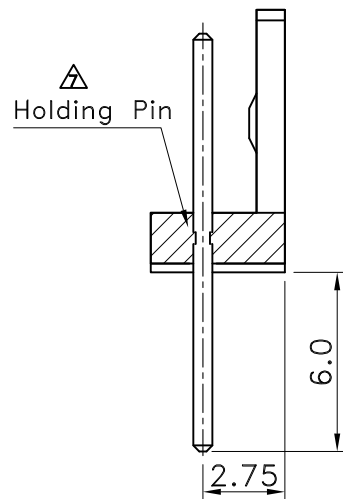
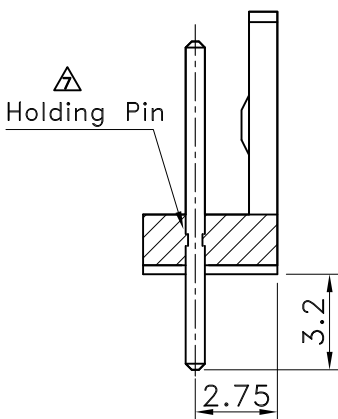
△ 6~15PPoles



△ 2~5PPoles



Mated Height(REF.)



△ JS-1129-XX(D1)

■ SPECIFICATIONS

- Current Rating: 3A AC/DC
- Withstanding Voltage: 1,000V AC/minute
- Insulation Resistance: 1,000MΩ min.
- Temperature Range: - 25°C to + 85°C
- Contact Resistance: 20mΩ max.

■ WAFER

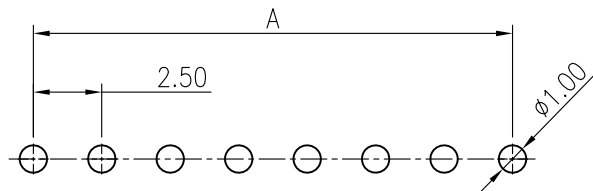
- Part No. : JS-1129-XX(XX) X
① ②

- ① Blank:Dip Length 3.2mm
- △ (D1):Dip Length 6.0mm
- △② Blank: 120u' min.Tin over 30u' min. Nickel
(G):Gold flash over Nickel
- Poles : 2 - 15(Straight)
- Material : Contact : Brass
Base : Nylon 66 UL94V-2
- Q' ty: 1,000 pcs./Bag

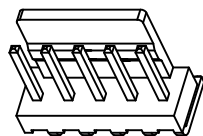
Poles	Dimension(mm)	
	A	B
2	2.50	5.00
3	5.00	7.50
4	7.50	10.00
5	10.00	12.50
6	12.50	15.00
7	15.00	17.50
8	17.50	20.00
9	20.00	22.50
10	22.50	25.00
11	25.00	27.50
12	27.50	30.00
13	30.00	32.50
14	32.50	35.00
15	35.00	37.50


 喬訊電子工業股份有限公司
CHYAO SHIUNN ELECTRONIC INDUSTRIAL LTD.
PART NO JS-1129-XX(XX)X
 2.50mm Crimp Style Connectors Wafer (Straight)

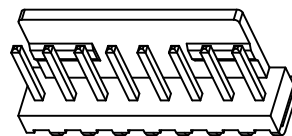
APPROVED BY	SCALE	UNIT	TOLERANCE	LTR	REVISION RECORD	NAME	DATE	LTR	REVISION RECORD	NAME	DATE
張育瑞		mm	.0 ±0.30	△	RoHS Compliant	黃科源	2006/04/01	△			
CHECKED BY	PROJ	VER NO.	.00 ±0.20	△	200809-006	黃科源	2008/09/05	△			
黃科源		a7	.000 ±0.10	△	追加組合圖	胡丹桂	2011/11/11	△			
黃科源		a7	ANGLE		修改公差	羅紅見	2012/02/16		CUSTOMER		
DRAWN BY	DATE	SIZE	0° ±1°	△	增加(D1):DIP Length 6.0mm規格	羅紅見	2012/04/12				
吳弘文	2012/10/29	A4	.0° ±	△	增加卡點PIN數區分及Gold flash料號	周家慶	2012/7/29		Conforms to The RoHS Instruction		
		A4	SHEET	1/1	PIN針修改為打內K結構	吳弘文	2013/10/29				



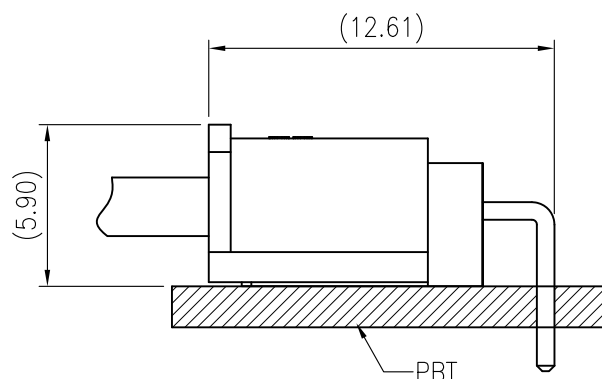
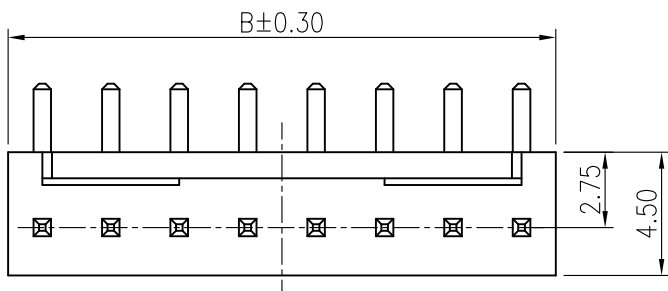
Recommended PCB Layout
General tolerance ± 0.05



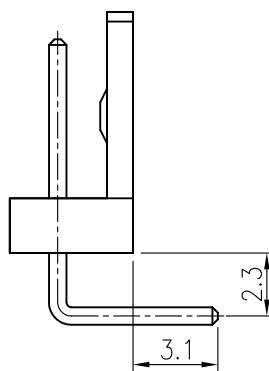
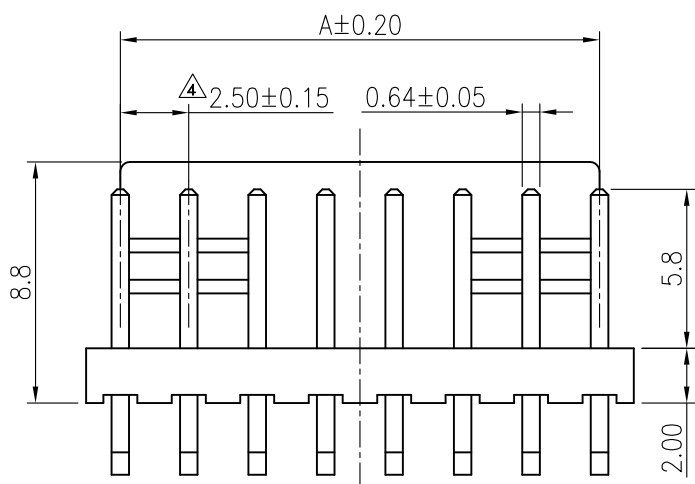
△ 2~5PPoles



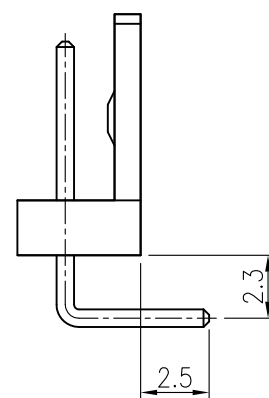
△ 6~15PPoles



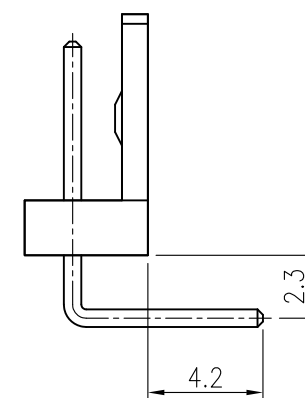
Mated Height(REF.) △



JS-1129R-XX



JS-1129R-XX(D)



JS-1129R-XX(D1)

■ SPECIFICATIONS

- Current Rating: 3A AC/DC
- Withstanding Voltage: 1,000V AC/minute
- Insulation Resistance: 1,000M Ω min.
- Temperature Range: - 25°C to + 85°C
- Contact Resistance: 20m Ω max.

■ WAFER

- Part No. : JS-1129R-XX(XX) X
① ②

- ① BLANK: DIP Length 3.1mm
(D): DIP Length 2.5mm
(D1): DIP Length 4.2mm
- △ ② BLANK: 120u' min. TIN over 30u' min. NICKEL
(G): Gold flash over NICKEL
- Poles : 2 - 15(Right Angle)
- Material : Contact : Brass
Base : Nylon 66 UL94V-2

Poles	Dimension(mm)	
	A	B
2	2.50	5.00
3	5.00	7.50
4	7.50	10.00
5	10.00	12.50
6	12.50	15.00
7	15.00	17.50
8	17.50	20.00
9	20.00	22.50
10	22.50	25.00
11	25.00	27.50
12	27.50	30.00
13	30.00	32.50
14	32.50	35.00
15	35.00	37.50



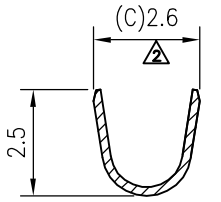
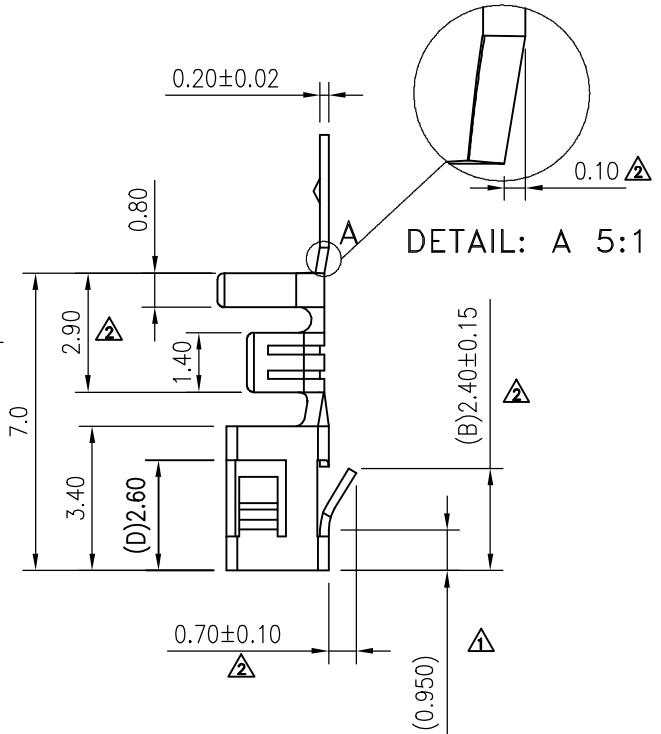
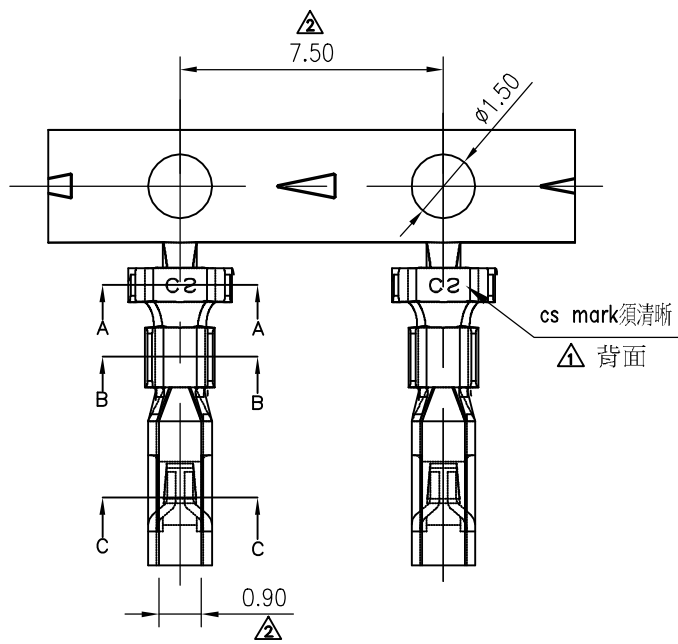
喬訊電子工業股份有限公司

CHYAO SHIUNN
ELECTRONIC INDUSTRIAL LTD.

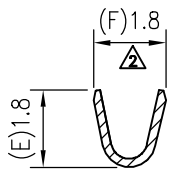
PART NO JS-1129R-XX

2.50mm Crimp Style Connectors Wafer (Right Angle)

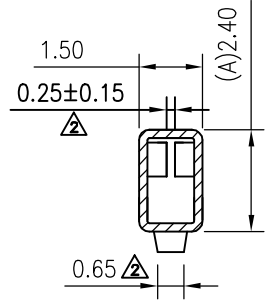
APPROVED BY	SCALE	UNIT	TOLERANCE	LTR	REVISION RECORD	NAME	DATE	LTR	REVISION RECORD	NAME	DATE
張育瑞		mm	.0 ±0.30	△	ECR RoHs Compliant	2006/04/01		△			
CHECKED BY	PROJ	VER NO.	.00 ±0.20	△	ECR 200809-006	2008/09/05	黃科源	△			
黃科源	⊕	a5	.000 ±0.10	△	追加組合圖	2011/11/15	胡丹桂	△			
DRAWN BY	DATE	SIZE	ANGLE	△	修改公差	2012/02/16	羅紅見		CUSTOMER		
周家慶	2012/7/29	A4	0° ±1°	△	增加卡點PIN數區分及Gold flash料號	2012/7/29	周家慶				
			0° ±	△					Conforms to The RoHS Instruction		
			SHEET 1/1	△							



A-ASEC



B-BSEC



C-CSEC

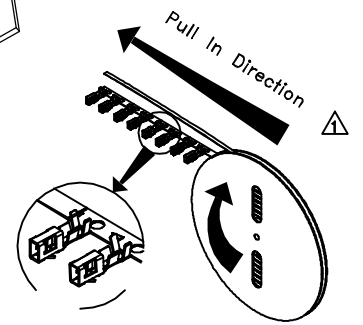
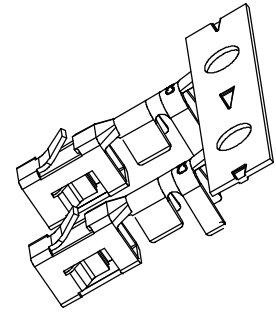
■ SPECIFICATIONS

- Current Rating: 3A AC/DC
- Withstanding Voltage : 1000V AC/minute
- Insulation Resistance : 1,000MΩ min
- Temperature Range : - 25°C to + 85°C
- Contact Resistance: 20mΩ max.

■ TERMINAL

- Part No. :JS-1128-XXX

- ① T : Standard Process, Brass
- PBT: Standard Process, Phos. Bronze
- Applicable Wires: AWG# 22-28
- Finish : Tin Plated
- Thickness : 0.20x10.5mm
- Q' ty: 8000 pcs./Reel



	喬訊電子工業股份有限公司 CHYAO SHIUNN ELECTRONIC INDUSTRIAL LTD.
	PART NO JS-1128-XXT 2.50mm Crimp Style Connectors Terminal

APPROVED BY	SCALE	UNIT	TOLERANCE	LTR	REVISION RECORD	NAME	DATE	LTR	REVISION RECORD	NAME	DATE
Tom Shih		mm	.0 ±0.30	△	增加3D圖面&尺寸	胡丹桂	11/11/15	△			
CHECKED BY	PROJ	VER NO.	.00 ±0.20	△	增加和更改圖面尺寸管控	邱建輝	14/2/20	△			
Erin Chou		a3	.000 ±0.10	△	新增材質選項	Eddie	22/07/08	△			
DRAWN BY	DATE	SIZE	ANGLE						CUSTOMER		
Eddie	2022/07/08	A4	0° ±1°	△					Conforms to The RoHS Instruction		
			0° ±	△							
			SHEET 1/1	△							