

SECTION A-A

■ SPECIFICATIONS

- Voltage Rating : 250V AC/DC
- Current Rating: 3A AC/DC
- Withstanding Voltage : 1000V AC/minute
- Insulation Resistance : 1,000MΩ min
- Temperature Range : - 25°C to + 85°C
- Contact Resistance : 20mΩ max

■ HOUSING

- Part No. : JS-1116-04
- Poles : 4
- Material : Nylon 66 UL94V-0
- Q' ty: 1,000 pcs./Bag



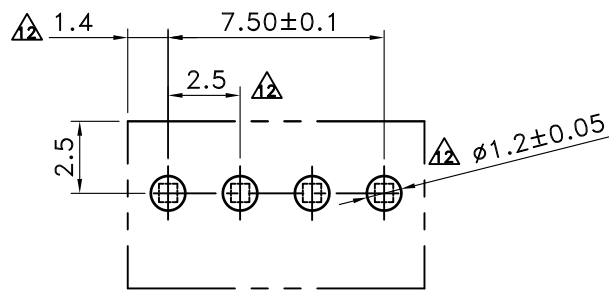
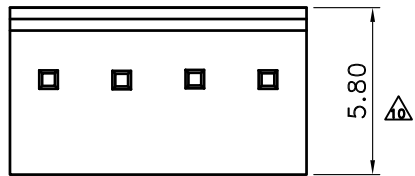
喬訊電子工業股份有限公司

CHYAO SHIUNN
ELECTRONIC INDUSTRIAL LTD.

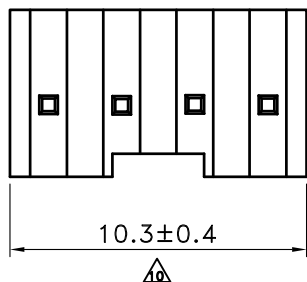
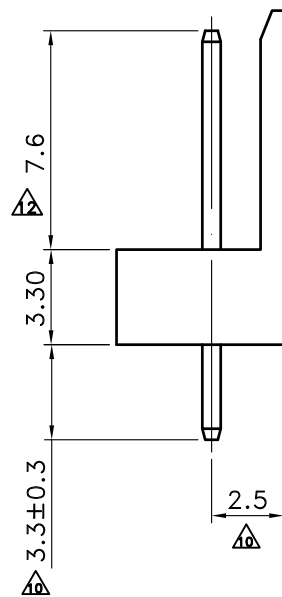
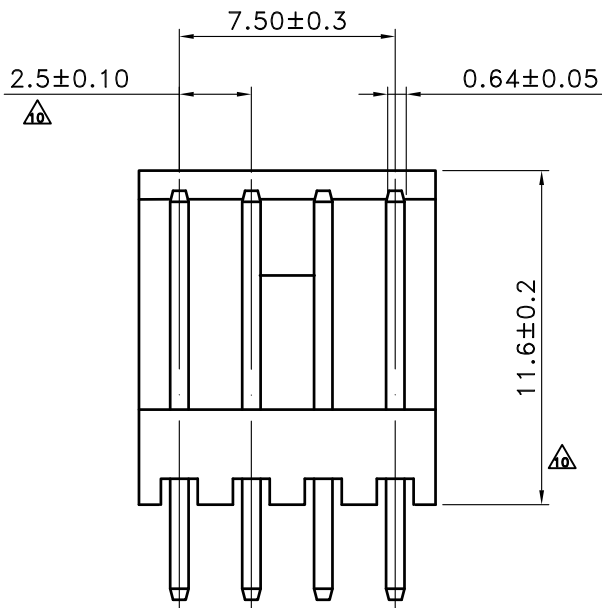
PART NO JS-1116-04

2.50mm Disk Drivr Power Connectors Housing

APPROVED BY	SCALE	UNIT	TOLERANCE	LTR	REVISION RECORD	NAME	DATE	LTR	REVISION RECORD	NAME	DATE
張育瑞		mm	.0 ±0.30	△	DG 200612-004	余秀麗	2006/12/13	△			
CHECKED BY	PROJ	VER NO.	.00 ±0.20	△	DG 200704-007	劉蓮花	2007/04/24	△			
黃科源	⊕	a4	.000 ±0.10	△	200801-006	黃科源	2008/01/17	△			
DRAWN BY	DATE	SIZE	ANGLE		圖框套用新格式	張逸維	2012/11/30		CUSTOMER		
張逸維	2012/11/30	A4	0° ±1°	△					Conforms to The RoHS Instruction		
			.0° ±	△							
			SHEET	1/1							



Recommended PCB Layout



■ SPECIFICATIONS

- Voltage Rating : 250V AC/max
- Current Rating : 3A AC/DC
- ⚠ Withstanding Voltage : 1,000V AC/minute
- Insulation Resistance : 1,000MΩ min.
- Temperature Range : - 25°C to + 85°C
- Contact Resistance : 20mΩ max.

■ WAFER

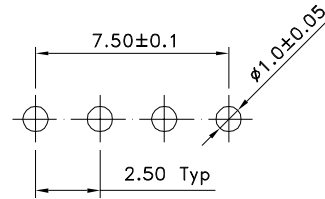
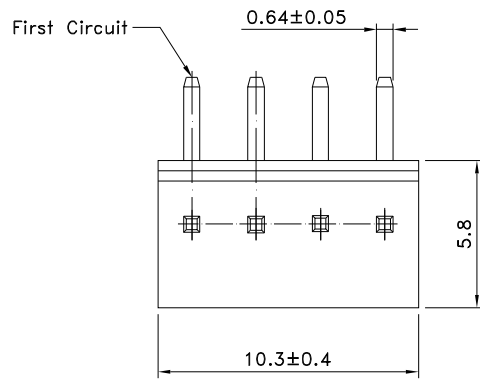
- ⚠ Part No. : JS-1116-04W (X)
- Code No. ①
- ⚠ ① Contact Plated : Blank: Tin Plated
(G) : Gold Flash
- Poles : 4 (Straight)
- Material : Contact : Brass
Base : Nylon 66 UL94V-0
- Q' ty : 1,000 pcs./Bag

 喬訊電子工業股份有限公司
CHYAO SHIUNN
ELECTRONIC INDUSTRIAL LTD.

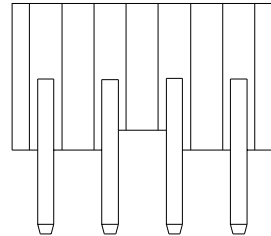
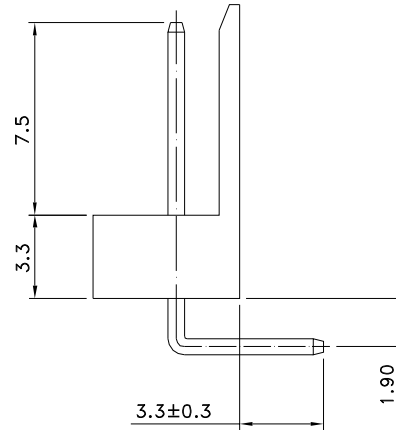
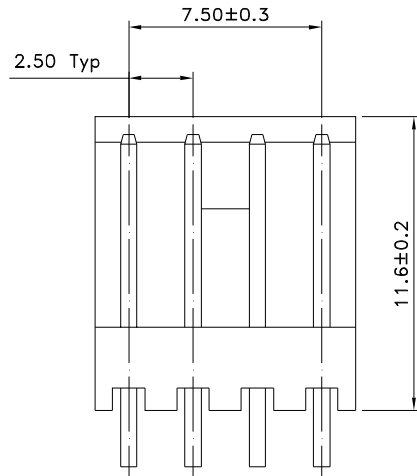
PART NO JS-1116-04W

2.50mm Disk Drivr Power Connectors Wafer (Straight)

APPROVED BY	SCALE	UNIT	TOLERANCE	LTR	REVISION RECORD	NAME	DATE	LTR	REVISION RECORD	NAME	DATE
張育瑞		mm	.0 ±0.30	⚠	圖框套用新格式; 修改耐電壓	張逸維	2012/11/30	⚠			
CHECKED BY	PROJ	VER NO.	.00 ±0.20	⚠	變更圖面尺寸	黃廣珍	2013/10/16	⚠			
周慈雲		a12	.000 ±0.10	⚠	變更圖面尺寸	吳弘文	2014/11/21	⚠			
DRAWN BY	DATE	SIZE	ANGLE		增加端子鍍層選項	吳弘文	2015/04/20	CUSTOMER			
吳弘文	2016/03/17	A4	0° ±1°	⚠	修正PCB layout 尺寸	吳弘文	2016/03/17				
			0° ±	⚠				Conforms to The RoHS Instruction			
			SHEET	1/1	⚠						



Recommend PCB Layout




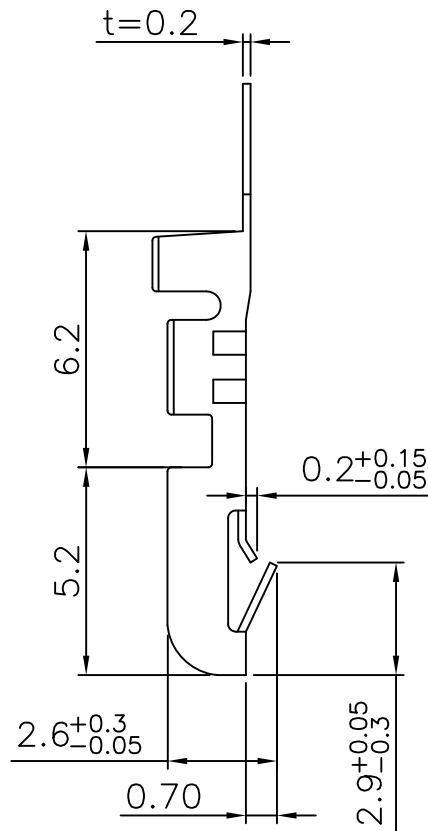
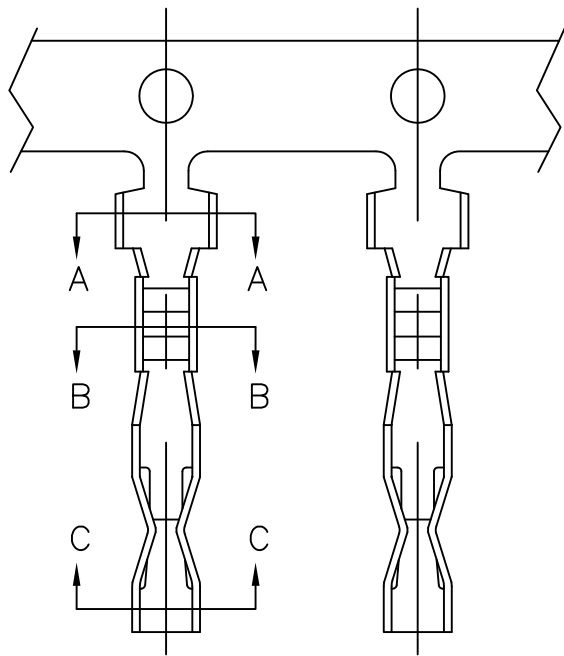
■ SPECIFICATIONS

- Voltage Rating : 250V AC/max
- Current Rating : 3A AC/DC
- Withstanding Voltage : 800V AC/minute
- Insulation Resistance : 1,000M Ω min.
- Temperature Range : - 25 $^{\circ}$ C to + 85 $^{\circ}$ C
- Contact Resistance : 20m Ω max.

■ WAFER

- Part No. : JS-1116-04WR
- Poles : 4 (Right Angle)
- Material : Contact : Brass , Tin Plated
Base : Nylon 66 UL94V-0
- Q' ty : 1,000 pcs./Bag

	喬訊電子工業股份有限公司 CHYAO SHIUNN ELECTRONIC INDUSTRIAL LTD.		APPROVED BY	SCALE	UNIT	TOLERANCE		LTR	REVISION RECORD	DATE	LTR	REVISION RECORD	DATE
	PART NO JS-1116-04WR 2.50mm Disk Drivr Power Connectors Wafer (Right Angle)		林宗	1:1	mm	.0	±0.3	ECR	RoHS compliant	06/04/01			
		CHECKED BY	PROJ	VER. NO.	.00	±0.2	ECR	200610-001	06/10/13				
		DRAWN BY	DATE	SIZE	.000	±0.1	ECR	DG 200612-006	06/12/19				
		黃科源	2008/09/02	A4	ALL	±	ECR	DG 200704-007	07/04/24	CUSTOMER			
					ANGLE		ECR	200809-002	08/09/02	Conforms to The RoHS Instruction			
					0°	±							
					.0°	±							

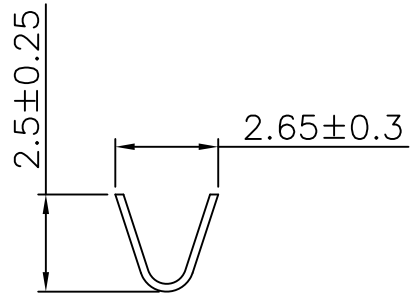


■ SPECIFICATIONS

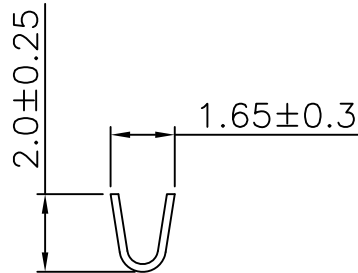
- Voltage Rating : 250V AC/DC
- Current Rating: 3A AC/DC
- Withstanding Voltage : 1000V AC/minute
- Insulation Resistance : 1000MΩ min
- Temperature Range : - 25°C to + 85°C
- Contact Resistance : 20mΩ max

■ TERMINAL

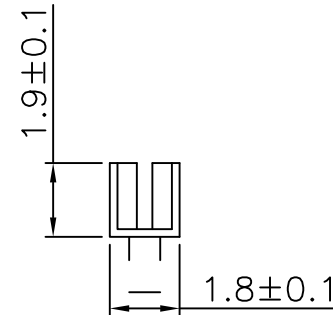
- Part No. : JS-1116-T
- Applicable Wires:AWG# 18-22
- Material : Bronze
- Finish : Tin Plated
- Thickness : 0.20mm
- Q' ty: 10000 pcs./Reel



A-A SEC



B-B SEC



C-C SEC



喬訊電子工業股份有限公司
CHYAO SHIUNN
ELECTRONIC INDUSTRIAL LTD.

APPROVED BY	SCALE	UNIT	TOLERANCE	LTR	REVISION RECORD	NAME	DATE	LTR	REVISION RECORD	NAME	DATE
張育瑞		mm	.0 ±0.30	△	圖面整理更新	吳弘文	2013/04/24	△			
CHECKED BY	PROJ	VER NO.	.00 ±0.20	△				△			
黃科源	⊕	a1	.000 ±0.10	△				△			
DRAWN BY	DATE	SIZE	ANGLE	△				△	CUSTOMER		
吳弘文	2013/04/24	A4	0° ±1°	△				△	Conforms to The RoHS Instruction		
			.0° ±	△				△			
			SHEET 1/1	△				△			

PART NO JS-1116-T

2.50mm Disk Drivr Power Connectors Terminal