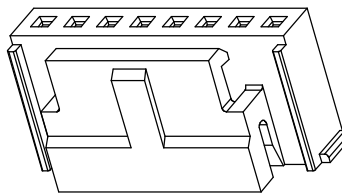
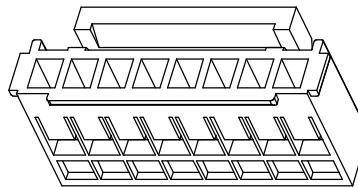
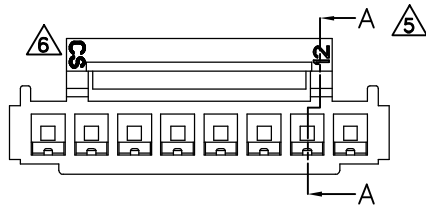
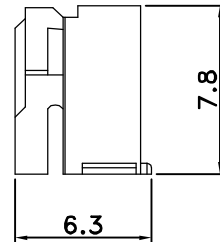
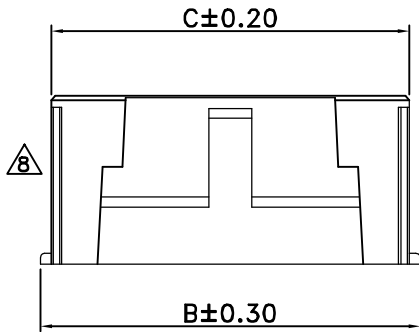


SECTION A-A



8PN 3D VIEW

■ SPECIFICATIONS

- Volage Rating : 250V AC/DC \triangle
- Current Rating : 3A AC/DC
- Withstanding Voltage : 1000V AC/minute
- Insulation Resistance : 1000M Ω min
- Temperature Range : - 25°C to + 105°C \triangle
- Contact Resistance : 20m Ω max \triangle

■ HOUSING

- Part No. : JS-2003-XX XX $\textcircled{1}$ $\textcircled{2}$

$\textcircled{1}$ Poles : 2-16

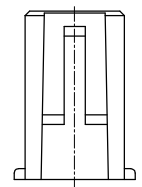
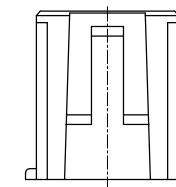
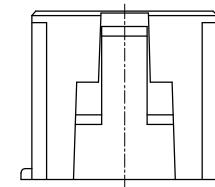
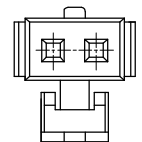
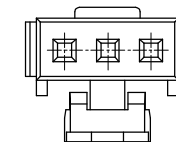
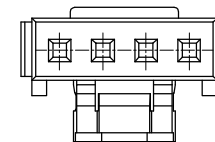
$\textcircled{2}$ Color : Bank:Nature

R :Red \triangle

• Material : Nylon66 UL94V-0

• Q' ty : 1,000 pcs./Bag

Poles	Dimensions (mm)			Poles	Dimensions (mm)		
	A	B	C		A	B	C
2	2.0	5.6	4.6	10	18.0	21.6	20.6
3	4.0	7.6	6.6	11	20.0	23.6	22.6
4	6.0	9.6	8.6	12	22.0	25.6	24.6
5	8.0	11.6	10.6	13	24.0	27.6	26.6
6	10.0	13.6	12.6	14	26.0	29.6	28.6
7	12.0	15.6	14.6	15	28.0	31.6	30.6
8	14.0	17.6	16.6	16	30.0	33.6	32.6
9	16.0	19.6	18.6				



4~16Pin Circuit

3Pin Circuit

2Pin Circuit

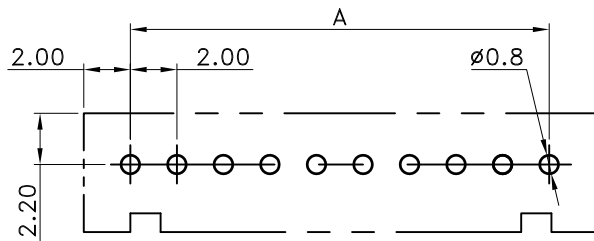


喬訊電子工業股份有限公司
CHYAO SHIUNN
ELECTRONIC INDUSTRIAL LTD.

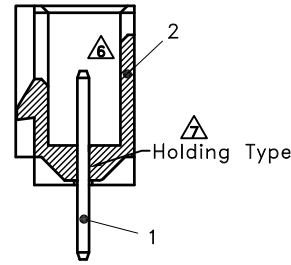
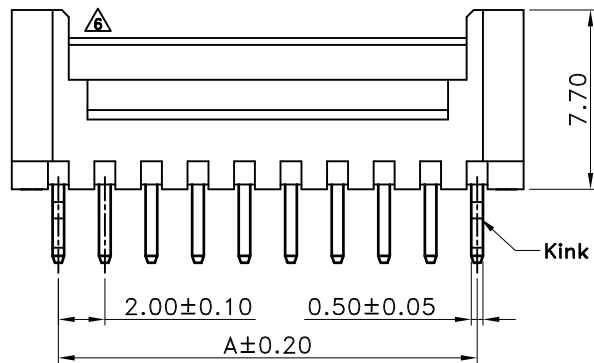
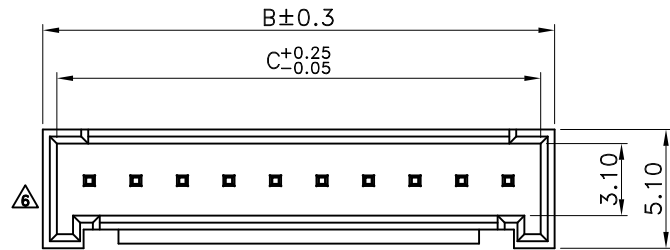
APPROVED BY	SCALE	UNIT	TOLERANCE	LTR	REVISION RECORD	NAME	DATE	LTR	REVISION RECORD	NAME	DATE
Tom Shih		mm	.0 ±0.30	\triangle	ECR 200804-030	黃科源	2008/04/30	\triangle	依實物修改圖示	Eddie	2024/01/29
CHECKED BY	PROJ	VER NO.	.00 ±0.20	\triangle	4-5P改為雙卡勾	金飛	2010/06/23	\triangle			
Erin Chou	$\textcircled{8}$	a8	.000 ±0.10	\triangle	ECR201101004	金飛	2011/01/24	\triangle			
DRAWN BY	DATE	SIZE	ANGLE	\triangle	修改A尺寸公差, 修改物性表	張逸維	2012/11/28		CUSTOMER		
Eddie	2024/01/29	A4	0° ±1°	\triangle	修改SECTION A-A 剖面圖示	張逸維	2012/12/27				
			.0° ±	\triangle	變更LOGO位置	曾慶根	2017/04/14				
			SHEET 1/1	\triangle	添加紅色規格選項	謝君	2021/01/18				

PART NO JS-2003-XX
2.00mm Crimp Style Housing Connector

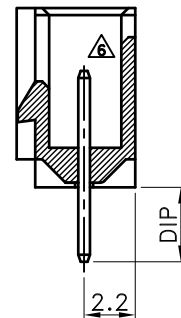
Conforms to The RoHS Instruction



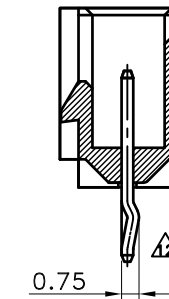
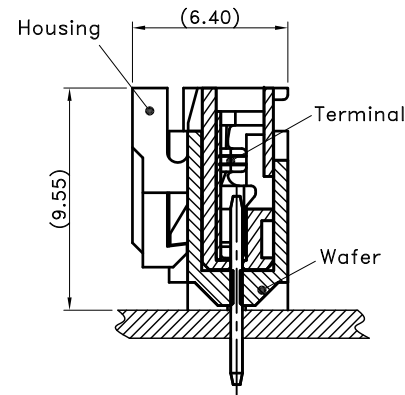
Recommended PCB Layout
General tolerance ±0.05



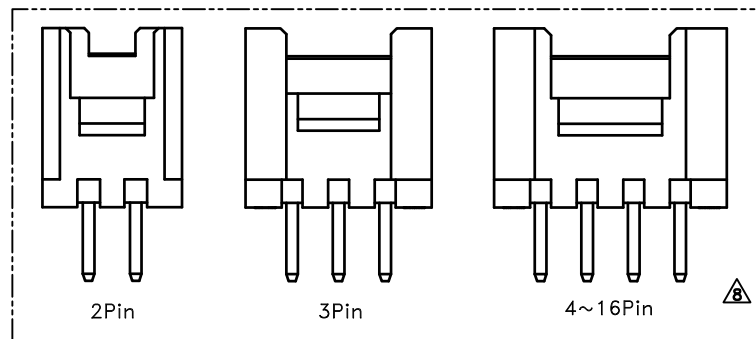
JS-2004-XXS



JS-2004-XX



JS-2004-XX(K)



■ SPECIFICATIONS

- Current Rating : 3A AC/DC
- Withstanding Voltage : 1000V AC/minute
- Insulation Resistance : 1000M Ω min
- Temperature Range : - 25 $^{\circ}$ C to + 105 $^{\circ}$ C
- Contact Resistance : 20m Ω max

■ WAFER

• Part No. : JS-2004-XXX(XXXXXXXXXX)XX
①②③④⑤⑥⑦

- ① Poles : 2-16
- ② Structure: Blank : Normal Type
S : Holding Type
- ③ Plastic: Blank : Nylon PA66 UL94V-0
6TNH1 : PA 6T(Natural ,Halogen Free)
- ④ Plated: Blank : Bright-Tin Plated Δ
NM : Matte-Tin Plated
- ⑤ Kink Type: Blank : Without Kink Δ
K : Kink
- ⑥ DIP Length: Blank : 3.2 mm(Standard)
D : 2.7 mm
D1 : 2.5 mm
- ⑦ Color: Blank : Nature(Standard)
BU : Blue
BK : Black Δ
R : Red Δ

- Material : 1.Contact: Brass
2.Base: Refer the above
- Mating : Housing : JS-2003-XX
Terminal : JS-2003-T
- Packaging : Bag

Poles	Dimensions		
	A	B	C
2	2.00	6.00	4.75
3	4.00	8.00	6.75
4	6.00	10.00	8.75
5	8.00	12.00	10.75
6	10.00	14.00	12.75
7	12.00	16.00	14.75
8	14.00	18.00	16.75
9	16.00	20.00	18.75
10	18.00	22.00	20.75
11	20.00	24.00	22.75
12	22.00	26.00	24.75
13	24.00	28.00	26.75
14	26.00	30.00	28.75
15	28.00	32.00	30.75
16	30.00	34.00	32.75

Halogen Free

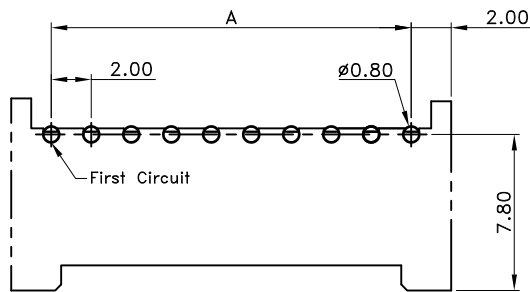


喬訊電子工業股份有限公司
CHYAO SHIUNN
ELECTRONIC INDUSTRIAL LTD.

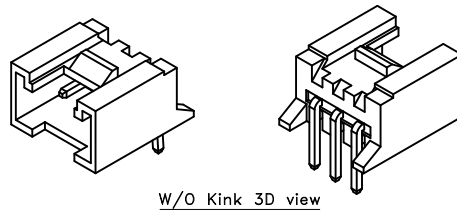
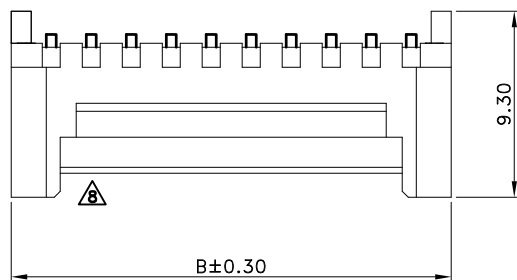
PART NO JS-2004-XX

2.00mm Series Wire to Board Connector

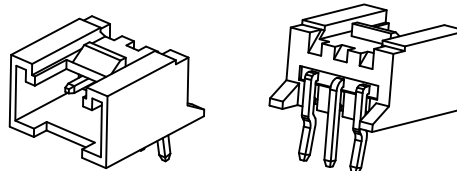
APPROVED BY	SCALE	UNIT	TOLERANCE	LTR	REVISION RECORD	NAME	DATE	LTR	REVISION RECORD	NAME	DATE
施咸光		mm	.0 ±0.30	Δ	尺寸列表修整	黃科源	2008/11/11	Δ	增加紅色顏色選項	曾慶根	2018/12/18
CHECKED BY	PROJ	VER NO.	.00 ±0.20	Δ	圖面合併	吳沛倫	2011/01/18	Δ	Add 6TNH1 選項	Erin	2019/10/22
張育瑞		a12	.000 ±0.10	Δ	增加新產品規格示意圖	王誠賢	2011/07/27	Δ	增加外K圖示及選項	曾慶根	2020/06/10
DRAWN BY	DATE	SIZE	ANGLE		視圖增加倒角及修改備註形式	林宛盈	2013/08/19	CUSTOMER			
曾慶根	2020/06/10	A4	0 $^{\circ}$	±1 $^{\circ}$	依實物修正為打單邊內K	曾慶根	2016/01/14				
			.0 $^{\circ}$	±	增加2P;3P;4~16P圖示要求	吳小平	2016/04/07				
SHEET			1/1	Δ	增加黑色顏色選項	曾慶根	2017/09/29	Conforms to The RoHS Instruction			



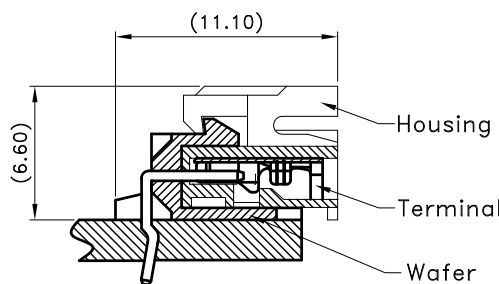
Recommended PCB Layout
General Tolerances ±0.05



W/O Kink 3D view



W/ Kink 3D view



■ SPECIFICATIONS

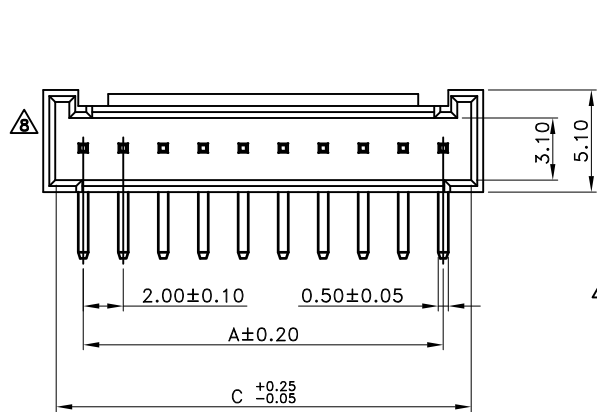
- Voltage Rating : 250V AC/DC
- Current Rating : 3A AC/DC
- Withstanding Voltage : 1000V AC/minute
- Insulation Resistance : 1000MΩ min
- Temperature Range : - 25°C to + 105°C
- Contact Resistance : 20mΩ max

■ WAFER

• Part No. : JS-2004RX-XX XX(XX XX X XX)XX XX

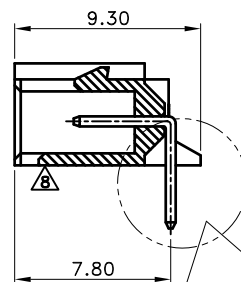
- ① 2P Inner frame : Blank : Normal type
1 : with 2 solts
- ② Poles : 2-16(Straight)
- ③ Structure: Blank : Normal Type
S : Holding Type
- ④ Plated: Blank : Bright-Tin Plated
NM : Matte-Tin Plated
G : Gold Plated
- ⑤ Kink Type: Blank : Without Kink
K : With Kink
- ⑥ DIP Length: Blank : 3.2mm
D : 2.5mm
- ⑦ Base Material: Blank : Nylon 66 UL94V-0 (Halogen Free)
PA : PA 46 UL94V-0
HF: PA 6T UL94V-0, Color : Black (Halogen Free)
HF1 : PA 6T UL94V-0, Color : Nature (Halogen Free)

- Material : 1.Contact: Brass
2.Base: Refer the above
- Mating : Housing JS-2003-XX
Terminal JS-2003-T

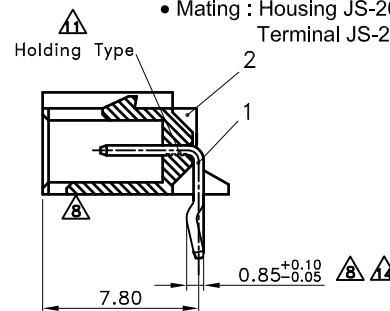


JS-2004R-02

JS-2004R1-02



JS-2004R-XX



JS-2004R-XX(D)

Poles	Dimensions (mm)		
	A	B	C
2	2.00	6.00	4.75
3	4.00	8.00	6.75
4	6.00	10.00	8.75
5	8.00	12.00	10.75
6	10.00	14.00	12.75
7	12.00	16.00	14.75
8	14.00	18.00	16.75
9	16.00	20.00	18.75
10	18.00	22.00	20.75
11	20.00	24.00	22.75
12	22.00	26.00	24.75
13	24.00	28.00	26.75
14	26.00	30.00	28.75
15	28.00	32.00	30.75
16	30.00	34.00	32.75



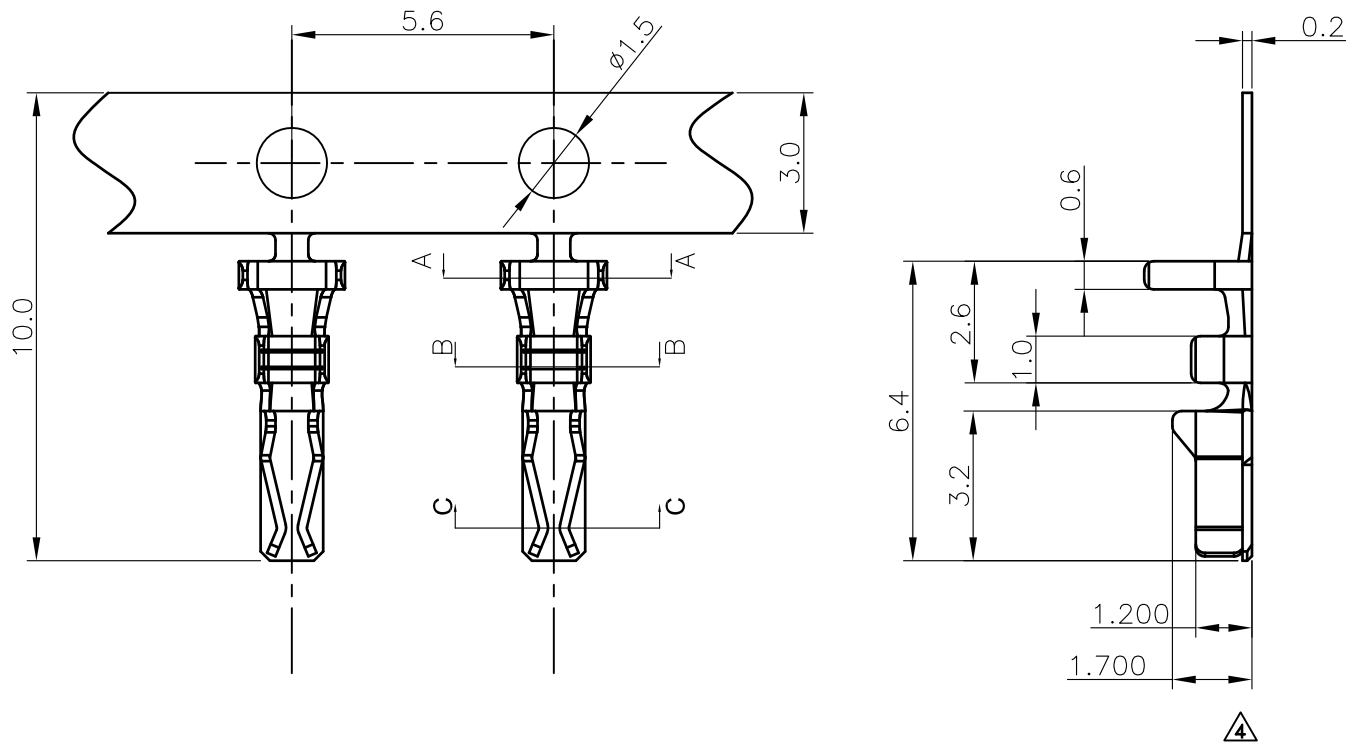
喬訊電子工業股份有限公司

CHYAO SHIUNN
ELECTRONIC INDUSTRIAL LTD.

PART NO JS-2004RX-XX

2.00mm Series Wire to Board Connector

APPROVED BY	SCALE	UNIT	TOLERANCE	LTR	REVISION RECORD	NAME	DATE	LTR	REVISION RECORD	NAME	DATE
施咸光		mm	.0 ±0.30	△	新增DIP 2.5mm長度	王誠賢	2011/06/15	△	修改打外K尺寸	曾慶根	2019/08/14
CHECKED BY	PROJ	VER NO.	.00 ±0.20	△	增加視圖倒角及修改備註形式與公差	林宛盈	2013/08/08	△	Add 2p front view	Erin	2019/09/26
周家慶	⊕	a16	.000 ±0.10	△	增列額定電壓	吳弘文	2014/05/12	△	增加鍍金及HF選項	曾慶根	2019/10/28
DRAWN BY	DATE	SIZE	ANGLE		增加包裝料號	黃廣珍	2014/05/14	CUSTOMER			
曾慶根	2019/10/28	A4	0° ±1°	△	增加打單邊內K	曾慶根	2016/01/14				
			.0° ±	△	增加PA高溫材料質及刪除管裝數量明細	曾慶根	2016/03/10	Conforms to The RoHS Instruction			
			SHEET 1/1	△	增加6T無齒本色材料質選項	劉娜	2019/05/09				



■ SPECIFICATIONS

- Current Rating : 3A AC/DC
- Withstanding Voltage : 1000V AC/minute
- Insulation Resistance : 1000MΩ min
- Temperature Range : - 25℃ to + 85℃
- Contact Resistance : 20mΩ max

■ TERMINAL

· Part No. : JS-2003-TX

Code No : ①

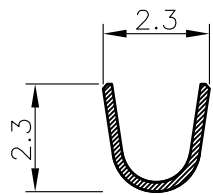
① Manufacture: Blank : Plating Befor Stamped
P : Stamping Befor Plated

· Applicable Wires : AWG # 22 - 30

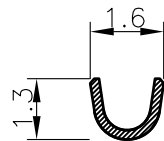
· Material : Phos. Bronze, Tin Plated

· Thickness : 0.2mm

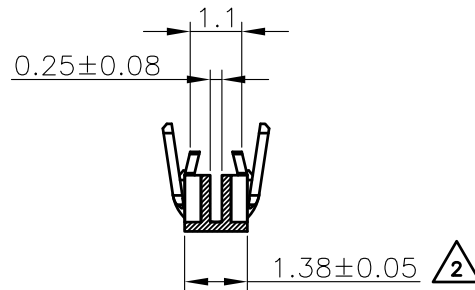
· 'Q' ty : 15,000 pcs./Reel



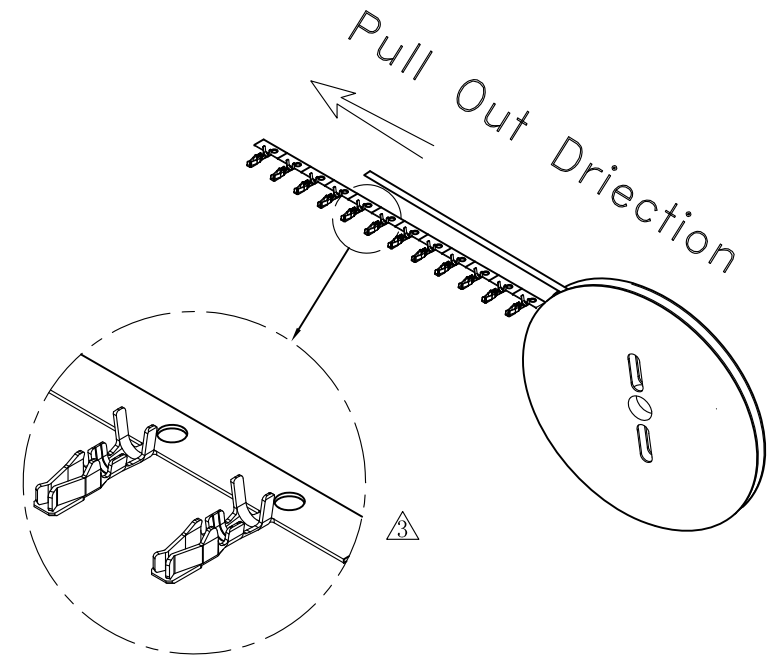
A-A SEC



B-B SEC



C-C SEC



喬訊電子工業股份有限公司

CHYAO SHIUNN
ELECTRONIC INDUSTRIAL LTD.

APPROVED BY	SCALE	UNIT	TOLERANCE	LTR	REVISION RECORD	NAME	DATE	LTR	REVISION RECORD	NAME	DATE
張育瑞		mm	.0 ±0.30	△	ECR 201001-003	林文泰	2010/01/13	△			
CHECKED BY	PROJ	VER NO.	.00 ±0.20	△	ECR 201006-006	林文泰	2010/06/25	△			
周慈雲	⊕	a4	.000 ±0.10	△	增加捲繞方向圖	吳弘文	2014/10/17	△			
DRAWN BY	DATE	SIZE	ANGLE	△	修正側視圖	吳弘文	2014/10/28				
吳弘文	2014/10/28	A4	0° ±1°	△							
			.0° ±	△							
			SHEET 1/1	△							

PART NO JS-2003-TX

2.00mm Crimp Style Connectors Terminal

CUSTOMER

Conforms to The RoHS Instruction