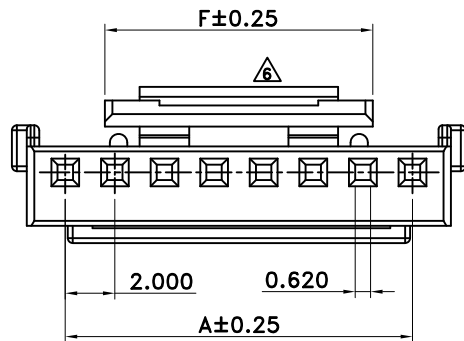
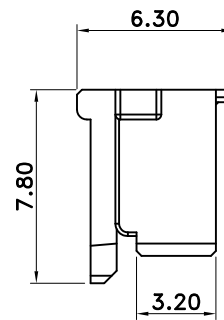
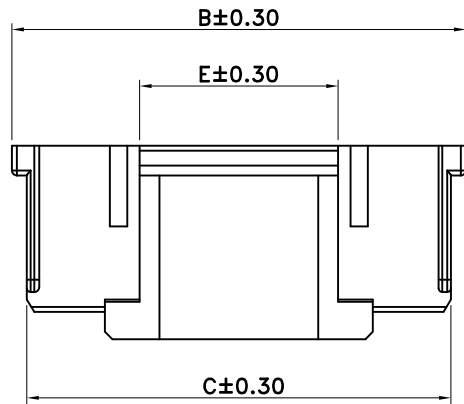
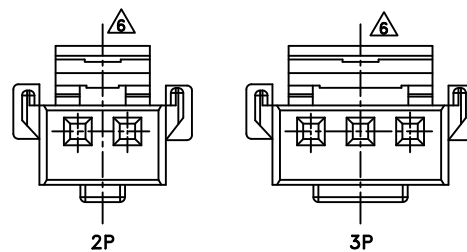


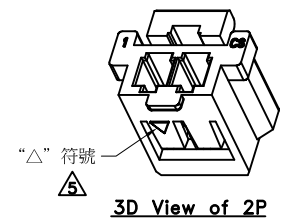
3D View of 4P~20P



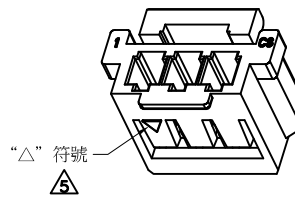
View of 4P~20P



View of 2P & 3P



3D View of 2P



3D View of 3P

**■ SPECIFICATIONS**

- Voltage Rating : 125V AC/DC
- Current Rating : 2A AC/DC
- Withstanding Voltage : 1,000V AC/minute
- Insulation Resistance : 1,000MΩ min.
- Temperature Range : - 40°C to + 105°C
- Contact Resistance : 20mΩ max.

**■ HOUSING**

- Part No. : JS-2002H-XX

① Poles : 2-20 ①

Color : Blank : Cream

- Material : Base : PA66 UL94V-0
- Applicable Terminal : JS-2002H-T
- Mates With : JS-2002-XX JS-2002R-XX
- Q'ty : 1,000 pcs./Bag

| Poles | Dimension(mm) |       |       |       |      |       |
|-------|---------------|-------|-------|-------|------|-------|
|       | A             | B     | C     | D     | E    | F     |
| 2     | 2.00          | 7.20  | 5.10  | 1.80  | 4.10 | —     |
| 3     | 4.00          | 9.20  | 7.10  | 3.80  | 6.10 | —     |
| 4     | 6.00          | 10.30 | 9.10  | 5.80  | 4.00 | 6.40  |
| 5     | 8.00          | 12.30 | 11.10 | 7.80  | 4.00 | 6.40  |
| 6     | 10.00         | 14.30 | 13.10 | 9.80  | 4.00 | 6.40  |
| 7     | 12.00         | 16.30 | 15.10 | 11.80 | 4.00 | 6.40  |
| 8     | 14.00         | 18.30 | 17.10 | 13.80 | 8.00 | 10.80 |
| 9     | 16.00         | 20.30 | 19.10 | 15.80 | 8.00 | 10.80 |
| 10    | 18.00         | 22.30 | 21.10 | 17.80 | 8.00 | 10.80 |
| 11    | 20.00         | 24.30 | 23.10 | 19.80 | 8.00 | 10.80 |
| 12    | 22.00         | 26.30 | 25.10 | 21.80 | 8.00 | 10.80 |
| 13    | 24.00         | 28.30 | 27.10 | 23.80 | 8.00 | 10.80 |
| 14    | 26.00         | 30.30 | 29.10 | 25.80 | 8.00 | 10.80 |
| 15    | 28.00         | 32.30 | 31.10 | 27.80 | 8.00 | 10.80 |
| 16    | 30.00         | 34.30 | 33.10 | 29.80 | 8.00 | 10.80 |
| 17    | 32.00         | 36.30 | 35.10 | 31.80 | 8.00 | 10.80 |
| 18    | 34.00         | 38.30 | 37.10 | 33.80 | 8.00 | 10.80 |
| 19    | 36.00         | 40.30 | 39.10 | 35.80 | 8.00 | 10.80 |
| 20    | 38.00         | 42.30 | 41.10 | 37.80 | 8.00 | 10.80 |

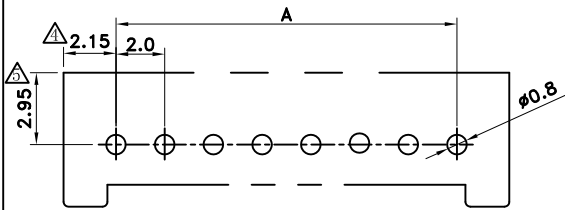


喬訊電子工業股份有限公司

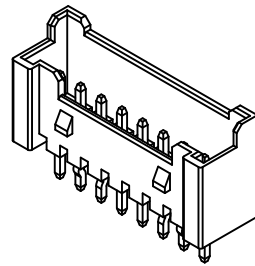
CHYAO SHIUNN  
ELECTRONIC INDUSTRIAL LTD.

PART NO JS-2002H-XX  
2.00mm Crimp Style Connectors

| APPROVED BY | SCALE      | UNIT    | TOLERANCE  | LTR | REVISION RECORD       | NAME | DATE       | LTR | REVISION RECORD                  | NAME | DATE |
|-------------|------------|---------|------------|-----|-----------------------|------|------------|-----|----------------------------------|------|------|
| 張育瑞         |            | mm      | .0 ±0.30   | △   | RoHS Compliant        | 林文泰  | 06/04/01   | △   |                                  |      |      |
| CHECKED BY  | PROJ       | VER NO. | .00 ±0.20  | △   | add new specification | jack | 12/06/11   | △   |                                  |      |      |
| 劉娜          | ⊕          | a6      | .000 ±0.10 | △   | add 2P & 3P           | Erin | 2014/03/06 | △   |                                  |      |      |
| DRAWN BY    | DATE       | SIZE    | ANGLE      | △   | 刪除顏色                  | 林宛盈  | 2014/03/13 |     | CUSTOMER                         |      |      |
| 周自強         | 2023/07/21 | A4      | 0° ±1°     | △   | 增加“△”符號標示             | 曾慶根  | 2020/12/29 |     |                                  |      |      |
|             |            |         | .0° ±      | △   | 依實物更改產品形狀             | 周自強  | 2023/07/21 |     | Conforms to The RoHS Instruction |      |      |
|             |            |         | SHEET 1/2  | △   |                       |      |            |     |                                  |      |      |



Recommended PCB Layout  
General Tolerance ±0.05

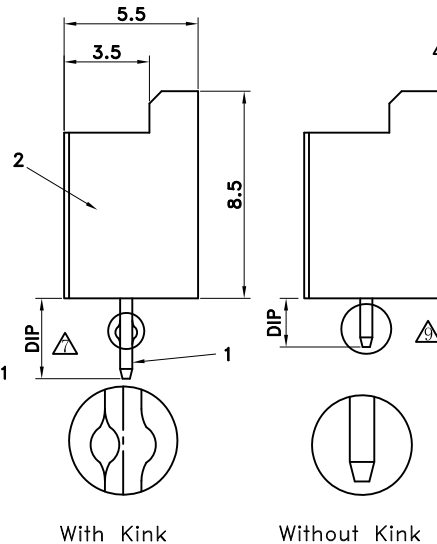
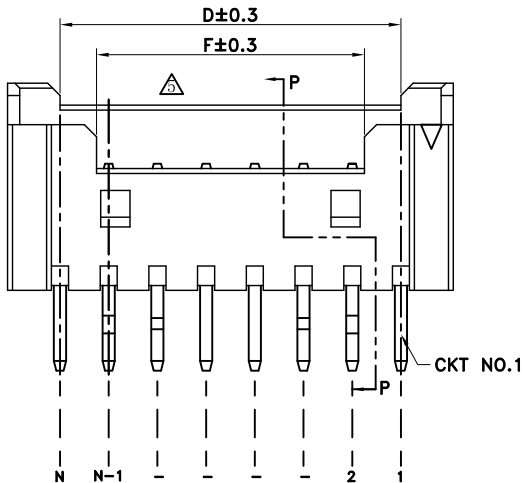
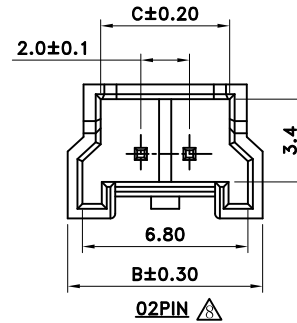
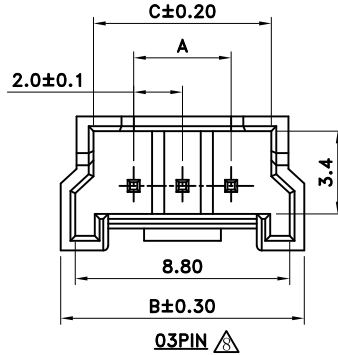
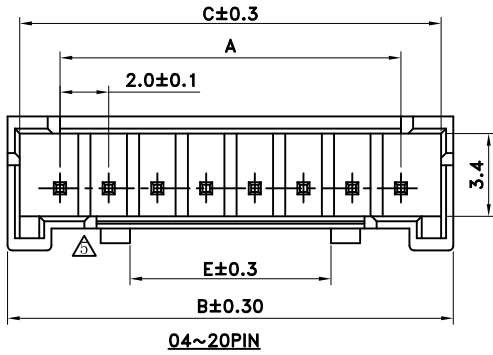


■ SPECIFICATIONS

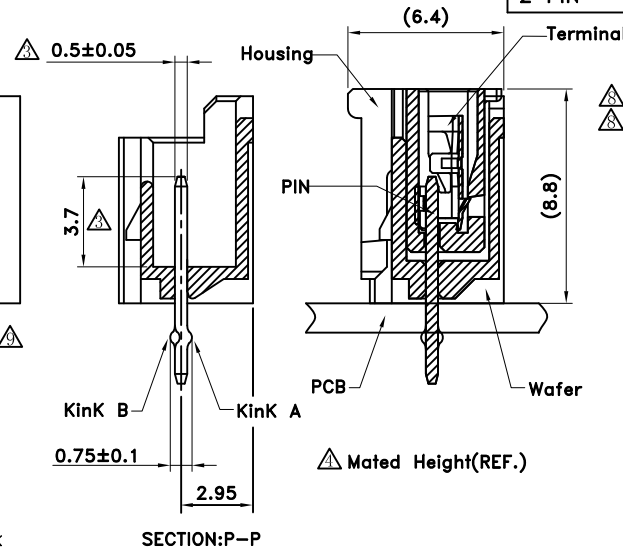
- Voltage Rating : 125V AC/DC
- Current Rating : 2A AC/DC
- Withstanding Voltage : 1,000V AC/minute
- Insulation Resistance : 1,000M Ω min.
- Temperature Range : - 40°C to + 105°C
- Contact Resistance : 20m Ω max.

■ WAFER

- Part No. : JS-2002-XX(XX)XX  
① ② ③
- ① Poles : 02~20(Straight)
- ② DIP Length Blank : 3.3mm ±0.5 with Kink  
D : 4.0mm ±0.5 with Kink  
D1 : 2.1mm <sup>+0.3</sup><sub>-0</sub> without Kink
- ③ Color: Blank: Beige  
R: Red
- Material :  
1.Contact : Brass,Tin Plated  
2.Base : PA66 UL94V-0
- Product Specification : JS-2002-XX SDRS
- Mating Housing : JS-2002H-XX  
Mating Terminal : JS-2002H-T
- Packaging : Bag



DETAIL



| Poles      | PIN No | 1 | 2 | 3 | 4 | 5 | 6 | N-2 | N-1 | N |
|------------|--------|---|---|---|---|---|---|-----|-----|---|
| 6 PIN Over |        | - | A | B | - | - | - | B   | A   | - |
| 6 PIN      |        | - | A | B | B | A | - |     |     |   |
| 5 PIN      |        | A | B | - | B | A |   |     |     |   |
| 4 PIN      |        | A | B | B | A |   |   |     |     |   |
| 3 PIN      |        | A | B | A |   |   |   |     |     |   |
| 2 PIN      |        | A | B |   |   |   |   |     |     |   |

| Poles | Dimensions (mm) |      |      |      |      |      |
|-------|-----------------|------|------|------|------|------|
|       | A               | B    | C    | D    | E    | F    |
| 2     | ---             | 8.0  | 5.3  | 4.0  | ---  | ---  |
| 3     | 4.0±0.20        | 10.0 | 7.3  | 4.0  | ---  | ---  |
| 4     | 6.0±0.20        | 10.3 | 9.3  | 6.0  | 4.25 | 6.6  |
| 5     | 8.0±0.20        | 12.3 | 11.3 | 8.0  | 4.25 | 7.0  |
| 6     | 10.0±0.20       | 14.3 | 13.3 | 10.0 | 4.25 | 7.0  |
| 7     | 12.0±0.20       | 16.3 | 15.3 | 12.0 | 4.25 | 7.0  |
| 8     | 14.0±0.20       | 18.3 | 17.3 | 14.0 | 8.25 | 11.0 |
| 9     | 16.0±0.20       | 20.3 | 19.3 | 16.0 | 8.25 | 11.0 |
| 10    | 18.0±0.20       | 22.3 | 21.3 | 18.0 | 8.25 | 11.0 |
| 11    | 20.0±0.25       | 24.3 | 23.3 | 20.0 | 8.25 | 11.0 |
| 12    | 22.0±0.25       | 26.3 | 25.3 | 22.0 | 8.25 | 11.0 |
| 13    | 24.0±0.25       | 28.3 | 27.3 | 24.0 | 8.25 | 11.0 |
| 14    | 26.0±0.25       | 30.3 | 29.3 | 26.0 | 8.25 | 11.0 |
| 15    | 28.0±0.25       | 32.3 | 31.3 | 28.0 | 8.25 | 11.0 |
| 16    | 30.0±0.25       | 34.3 | 33.3 | 30.0 | 8.25 | 11.0 |
| 17    | 32.0±0.25       | 36.3 | 35.3 | 32.0 | 8.25 | 11.0 |
| 18    | 34.0±0.25       | 38.3 | 37.3 | 34.0 | 8.25 | 11.0 |
| 19    | 36.0±0.25       | 40.3 | 39.3 | 36.0 | 8.25 | 11.0 |
| 20    | 38.0±0.25       | 42.3 | 41.3 | 38.0 | 8.25 | 11.0 |

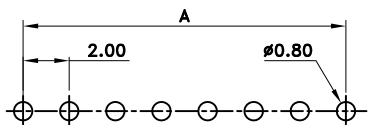
**喬訊電子工業股份有限公司**  
CHYAO SHIUNN  
ELECTRONIC INDUSTRIAL LTD.

PART NO JS-2002-XX(XX)XX  
2.0mm Crimp Style Connectors Wafer(Straight)

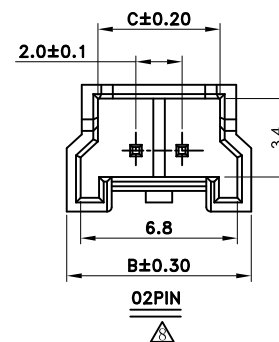
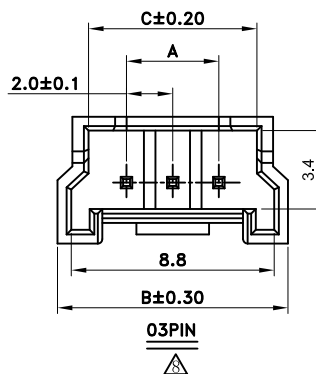
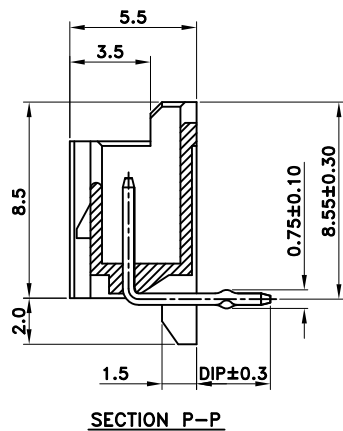
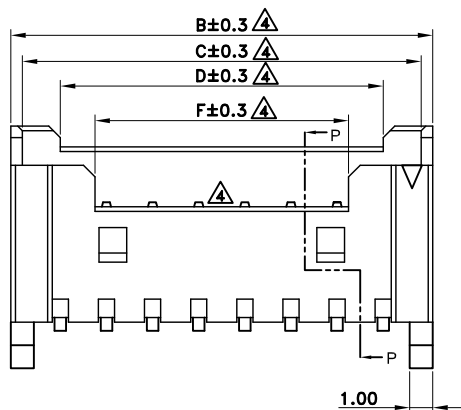
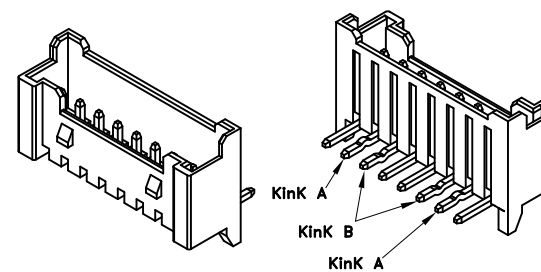
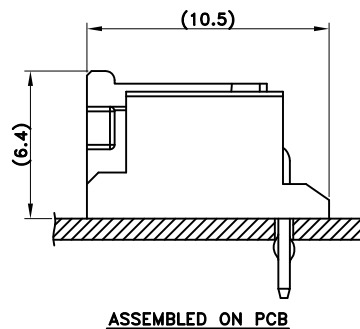
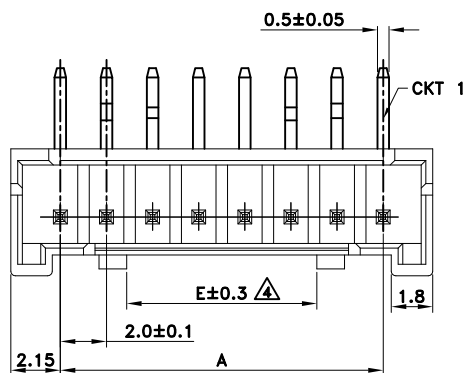
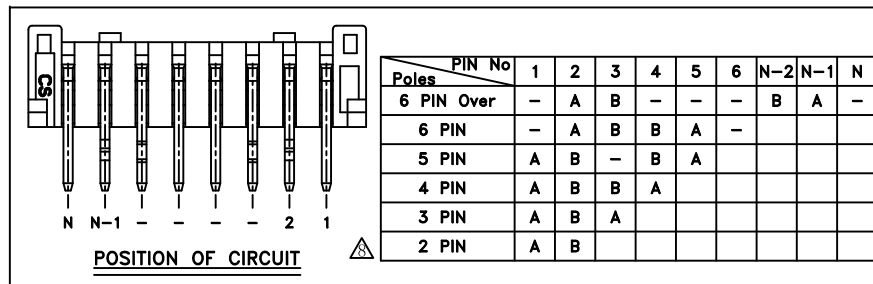
| APPROVED BY | SCALE      | UNIT    | TOLERANCE  | LTR | REVISION RECORD      | NAME | DATE       | LTR | REVISION RECORD  | NAME | DATE       |
|-------------|------------|---------|------------|-----|----------------------|------|------------|-----|------------------|------|------------|
| 施咸光         |            | mm      | .0 ±0.30   | △   | 200905-009           | 林文泰  | 2009-05-14 | △   | 增加02&03PIN規格     | 周家慶  | 2019-08-29 |
| CHECKED BY  | PROJ       | VER NO. | .00 ±0.20  | △   | 200911-001           | 林文泰  | 2009-11-18 | △   | 增加DIP尺寸2.0不打外K選項 | 謝君   | 2019-12-19 |
| 張育瑞         |            | A10     | .000 ±0.10 | △   | 增加尺寸                 | 金飛   | 2010-09-28 | △   | 修改DIP腳尺寸公差       | 劉娜   | 2019-01-07 |
| DRAWN BY    | DATE       | SIZE    | ANGLE      | △   | 包裝表示錯誤               | 劉怡萱  | 2010-09-28 |     |                  |      |            |
| 劉娜          | 2020/01/07 | A4      | 0° ±1°     | △   | 依實物修改視圖與倒角, 修改部分尺寸管控 | 林宛盈  | 2013-08-20 |     |                  |      |            |
|             |            |         | .0° ±      | △   | 增加紅色顏色選項             | 曾慶根  | 2015-10-12 |     |                  |      |            |
|             |            |         | SHEET 1/1  | △   | 增加DIP尺寸4.0選項         | 曾慶根  | 2018-07-04 |     |                  |      |            |

CUSTOMER

Conforms to The RoHS Instruction



**RECOMMENDED PCB LAYOUT**  
General Tolerance ±0.05



**■ SPECIFICATIONS**

- Current Rating : 2A AC/DC  $\Delta$
- Withstanding Voltage : 1,000V AC/minute
- Insulation Resistance : 1,000M  $\Omega$  min.
- Temperature Range : - 40°C to + 105°C
- Contact Resistance : 20m  $\Omega$  max.

**■ WAFER**

- Part No. : JS-2002R-XX(X)XX  $\Delta$

① Poles : 02~20(Right Angle)  $\Delta$

② DIP Length

Blank : 3.2 mm

D : 2.5 mm

③ Color : Blank : Nature

BK:Black  $\Delta$

- Material : 1. Base : Nylon66 UL94V-0

- 2. Pin : Brass, Tin Plated

- Mating Housing : JS-2002H-XX

- Mating Terminal : JS-2002H-T

- Packaging : Bag

| Poles | Dimensions (mm) |      |      |      |      |      |
|-------|-----------------|------|------|------|------|------|
|       | A               | B    | C    | D    | E    | F    |
| 02    | ----            | 8.0  | 5.3  | 4.0  | ---- | ---- |
| 03    | 4.0±0.20        | 10.0 | 7.3  | 4.0  | ---- | ---- |
| 04    | 6.0±0.20        | 10.3 | 9.3  | 6.0  | 4.25 | 6.6  |
| 05    | 8.0±0.20        | 12.3 | 11.3 | 8.0  | 4.25 | 7.0  |
| 06    | 10.0±0.20       | 14.3 | 13.3 | 10.0 | 4.25 | 7.0  |
| 07    | 12.0±0.20       | 16.3 | 15.3 | 12.0 | 4.25 | 7.0  |
| 08    | 14.0±0.20       | 18.3 | 17.3 | 14.0 | 8.25 | 11.0 |
| 09    | 16.0±0.20       | 20.3 | 19.3 | 16.0 | 8.25 | 11.0 |
| 10    | 18.0±0.20       | 22.3 | 21.3 | 18.0 | 8.25 | 11.0 |
| 11    | 20.0±0.25       | 24.3 | 23.3 | 20.0 | 8.25 | 11.0 |
| 12    | 22.0±0.25       | 26.3 | 25.3 | 22.0 | 8.25 | 11.0 |
| 13    | 24.0±0.25       | 28.3 | 27.3 | 24.0 | 8.25 | 11.0 |
| 14    | 26.0±0.25       | 30.3 | 29.3 | 26.0 | 8.25 | 11.0 |
| 15    | 28.0±0.25       | 32.3 | 31.3 | 28.0 | 8.25 | 11.0 |
| 16    | 30.0±0.25       | 34.3 | 33.3 | 30.0 | 8.25 | 11.0 |
| 17    | 32.0±0.25       | 36.3 | 35.3 | 32.0 | 8.25 | 11.0 |
| 18    | 34.0±0.25       | 38.3 | 37.3 | 34.0 | 8.25 | 11.0 |
| 19    | 36.0±0.25       | 40.3 | 39.3 | 36.0 | 8.25 | 11.0 |
| 20    | 38.0±0.25       | 42.3 | 41.3 | 38.0 | 8.25 | 11.0 |



喬訊電子工業股份有限公司

CHYAO SHIUNN  
ELECTRONIC INDUSTRIAL LTD.

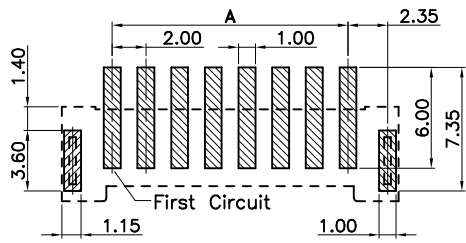
PART NO JS-2002R-XX(X)

2.00mm Wire to Board Connector, DIP Type

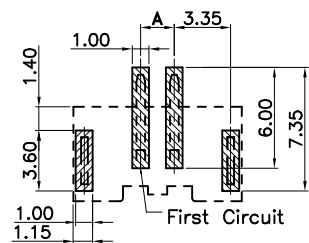
| APPROVED BY | SCALE      | UNIT    | TOLERANCE  | LTR      | REVISION RECORD                  | NAME | DATE       | LTR      | REVISION RECORD | NAME | DATE       |
|-------------|------------|---------|------------|----------|----------------------------------|------|------------|----------|-----------------|------|------------|
| 張育瑞         |            | mm      | .0 ±0.30   | $\Delta$ | 修改 1. 耐電壓250V→125V; 2. 額定電流3A→2A | 黃科源  | 2009/05/14 | $\Delta$ | 增加02&03PIN規格    | 曾慶根  | 2019-09-11 |
| CHECKED BY  | PROJ       | VER NO. | .00 ±0.20  | $\Delta$ | 圖面裁廢                             | 林文泰  | 2009/11/18 | $\Delta$ | 修正錯違            | 謝君   | 2023-04-19 |
| 劉娜          | $\oplus$   | a9      | .000 ±0.10 | $\Delta$ | 新增2.5mm DIP長度                    | 王誠賢  | 2011/05/31 | $\Delta$ |                 |      |            |
| DRWN BY     | DATE       | SIZE    | ANGLE      | $\Delta$ | 修改視圖與公差及備註形式                     | 林宛盈  | 2013/08/23 |          |                 |      |            |
| 謝君          | 2023/04/19 | A4      | 0° ±1°     | $\Delta$ | 新增D1規格                           | 林宛盈  | 2014/06/05 |          |                 |      |            |
|             |            |         | .0° ±      | $\Delta$ | 增加黑色斜號                           | 鄭小嬌  | 2015/09/15 |          |                 |      |            |
|             |            |         | SHEET 1/1  | $\Delta$ | 刪除D1選項                           | 曾慶根  | 2017/01/02 |          |                 |      |            |

CUSTOMER

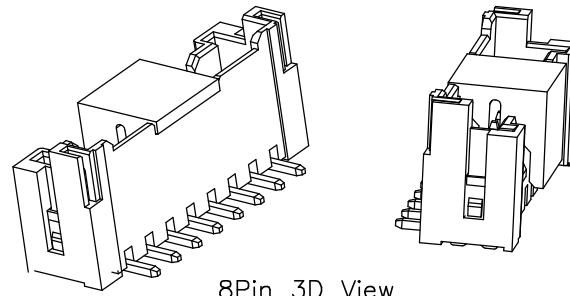
Conforms to The RoHS Instruction



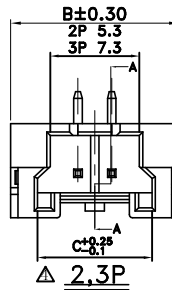
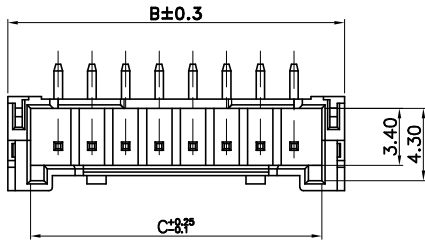
Recommended PCB Layout  
4~20P



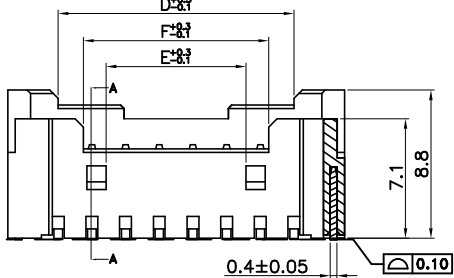
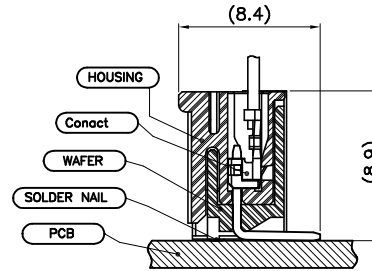
Recommended PCB Layout  
△ 2~3P



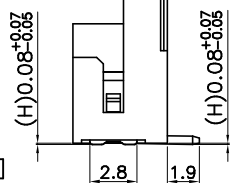
8Pin 3D View



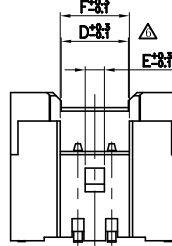
△ 2,3P



04~20P

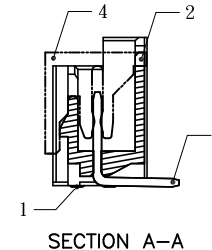


04~20P

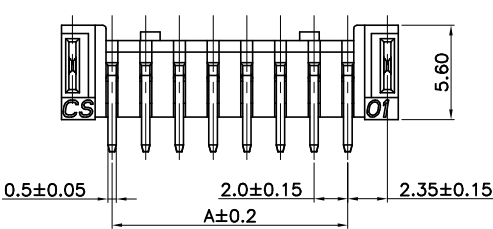


△ 2,3P

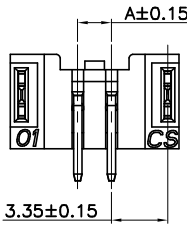
△ 2,3P



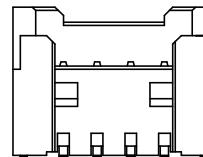
SECTION A-A



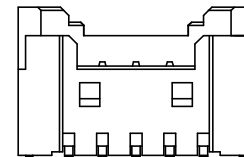
04~20P



△ 2,3P



For 4PIN



For 5PIN以上

■ SPECIFICATIONS

- Voltage Rating : 125V AC/DC
- Current Rating : 2A AC/DC
- Withstanding Voltage : 1,000V AC/minute
- Insulation Resistance : 1,000MΩ min.
- Temperature Range : - 40°C to + 105°C
- Contact Resistance : 20mΩ max.

■ WAFER

- Part No. : JS-2002M-XX X (XX) XX /X
- Code no. ① ② ③ ④ ⑤

△ ① Poles:2~20

② Cap:

- Blank:Without Pick & Place Cap
- C:With Pick & Place Cap

③ Contact Plated

- Blank : Tin Over Nickel plated
- NM : Matte Tin Over Nickel plated
- G : Gold Flash Over Nickel plated

④ Base Material:

- Blank : Normal PA9T UL94V-0
- HF : 6T/66 UL94V-0 (Halogen-Free)

△ ⑤ Packing :

- Blank : 450 Pcs / Paper Reel
- /P: 600 Pcs / Plastic Reel

- Material : 1. Solder Nail: Brass, 80u' min. MatteTin over 30u' min. NICKEL
- 2. Base :Refer Above Options
- 3. Contact : Brass
- 4. Cap : High Temperature Plastic

△

- Mating Housing : JS-2002H-XX
- Mating Terminal : JS-2002H-T

| Poles | Dimensions (mm) |      |      |      |      |      |
|-------|-----------------|------|------|------|------|------|
|       | A               | B    | C    | D    | E    | F    |
| 2     | 2.0             | 10.0 | 6.8  | 4.0  | 1.15 | 4.1  |
| 3     | 4.0             | 12.0 | 8.8  | 4.0  | 3.15 | 6.1  |
| 4     | 6.0             | 12.0 | 9.3  | 6.0  | 4.30 | 7.0  |
| 5     | 8.0             | 14.0 | 11.3 | 8.0  | 4.30 | 7.0  |
| 6     | 10.0            | 16.0 | 13.3 | 10.0 | 4.30 | 7.0  |
| 7     | 12.0            | 18.0 | 15.3 | 12.0 | 4.30 | 7.0  |
| 8     | 14.0            | 20.0 | 17.3 | 14.0 | 8.30 | 11.0 |
| 9     | 16.0            | 22.0 | 19.3 | 16.0 | 8.30 | 11.0 |
| 10    | 18.0            | 24.0 | 21.3 | 18.0 | 8.30 | 11.0 |
| 11    | 20.0            | 26.0 | 23.3 | 20.0 | 8.30 | 11.0 |
| 12    | 22.0            | 28.0 | 25.3 | 22.0 | 8.30 | 11.0 |
| 13    | 24.0            | 30.0 | 27.3 | 24.0 | 8.30 | 11.0 |
| 14    | 26.0            | 32.0 | 29.3 | 26.0 | 8.30 | 11.0 |
| 15    | 28.0            | 34.0 | 31.3 | 28.0 | 8.30 | 11.0 |
| 16    | 30.0            | 36.0 | 33.3 | 30.0 | 8.30 | 11.0 |
| 17    | 32.0            | 38.0 | 35.3 | 32.0 | 8.30 | 11.0 |
| 18    | 34.0            | 40.0 | 37.3 | 34.0 | 8.30 | 11.0 |
| 19    | 36.0            | 42.0 | 39.3 | 36.0 | 8.30 | 11.0 |
| 20    | 38.0            | 44.0 | 41.3 | 38.0 | 8.30 | 11.0 |

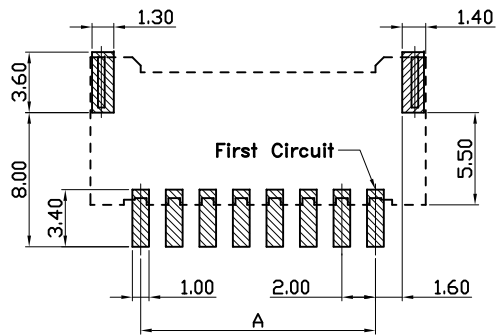
喬訊電子工業股份有限公司  
CHYAO SHIUNN  
ELECTRONIC INDUSTRIAL LTD.

PART NO JS-2002M-XXX(X)XX

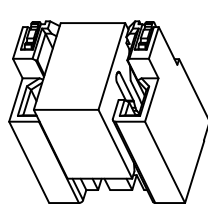
2.00mm Crimp Style Wafer Connector(SMT)

| APPROVED BY | SCALE      | UNIT    | TOLERANCE  | LTR | REVISION RECORD     | NAME  | DATE       | LTR | REVISION RECORD    | NAME | DATE       |
|-------------|------------|---------|------------|-----|---------------------|-------|------------|-----|--------------------|------|------------|
| Tom Shih    | 1:1        | mm      | .0 ±0.30   | △   | 膠殼開槽以便CAP定位, 產品料號更正 | 周家慶   | 2011/08/24 | △   | add packing option | Erin | 2020/12/04 |
| CHECKED BY  | PROJ       | VER NO. | .00 ±0.20  | △   | 變更產品注解說明            | Jack  | 2012/08/08 | △   | add 2, 3p layout   | Erin | 2020/12/23 |
| Tom Shih    | ◎          | a9      | .000 ±0.10 | △   | 增加產品包裝數量標示          | 吳弘文   | 2013/03/13 | △   |                    |      |            |
| DRAWN BY    | DATE       | SIZE    | ANGLE      | △   | 增加2,3 Pin 產品尺寸      | 吳弘文   | 2014/03/28 |     |                    |      |            |
| Erin Chou   | 2020/12/23 | A4      | 0° ±1°     | △   | 修正"5pin以上"視圖與實物相符   | 鄭小嬌   | 2015/08/17 |     |                    |      |            |
|             |            |         | .0° ±      | △   | 按實物修改2P;D尺寸及視圖      | 吳小平   | 2016/06/21 |     |                    |      |            |
|             |            |         | SHEET 1/1  | △   | 修正2P, 3P;E尺寸        | Eddie | 2019/08/12 |     |                    |      |            |

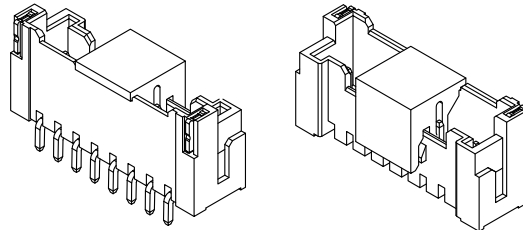
Conforms to The RoHS Instruction



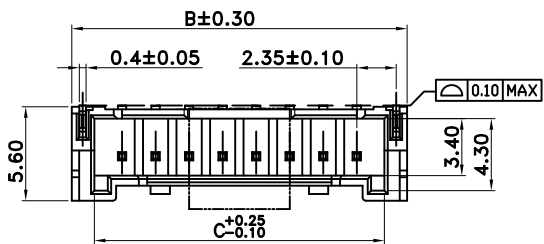
Recommended PCB Layout  
General tolerance ±0.05



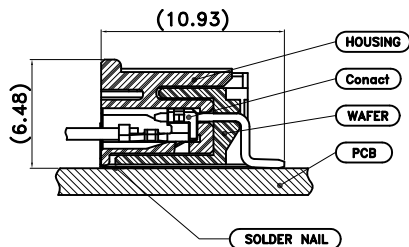
2Pin 3D View



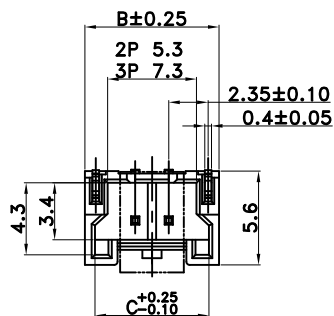
8Pin 3D View



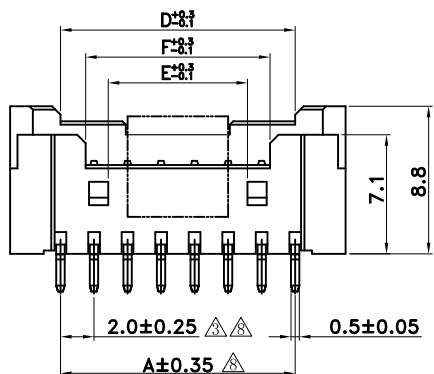
04~20P



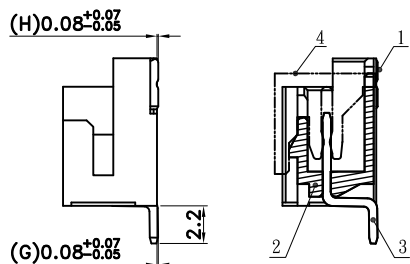
02,03P



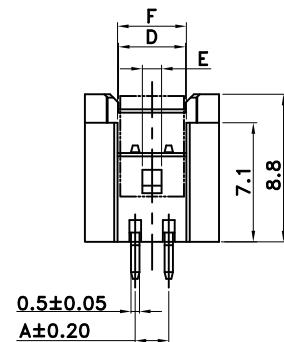
02,03P



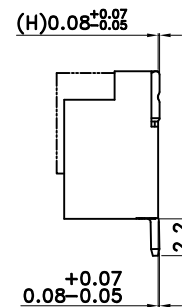
04~20P



04~20P



02,03P



02,03P

■ SPECIFICATIONS

- Voltage Rating : 125V AC/DC
- Current Rating : 2A AC/DC
- Withstanding Voltage : 1,000V AC/minute
- Insulation Resistance : 1,000M Ω min.
- Temperature Range : - 40°C to + 105°C
- Contact Resistance : 20m Ω max.

■ WAFER

- Part No. : JS-2002RM-XX X (XX) XX XX

Code no.

① ② ③ ④ ⑤

① Poles: 4~20

② Cap:

- Blank: Without Pick & Place Cap
- C: With Pick & Place Cap

③ Contact Plated

- Blank : Tin Over Nickel plated
- NM : Matte Tin Over Nickel plated
- G : Gold Flash Over Nickel plated

④ Base Material:

- Blank : Normal PA9T UL94V-0
- HF : 6T/66 UL94V-0 (Natural Color&Halogen-Free)

⑤ Blank : Paper Reel

/P : Plastic Reel

- Material : 1. Solder Nail: Brass
- 2. Base : Refer Above Options
- 3. Contact : Brass
- 4. Cap : High Temperature Plastic
- Mating Housing : JS-2002H-XX
- Mating Terminal : JS-2002H-T
- Qty : Paper Reel : 600 Pcs/Reel
- Plastic Reel : 800 Pcs/Reel

| Poles | Dimensions (mm) |      |      |      |      |      |
|-------|-----------------|------|------|------|------|------|
|       | A               | B    | C    | D    | E    | F    |
| 2     | 2.0             | 8.0  | 6.8  | 4.0  | 1.15 | 4.10 |
| 3     | 4.0             | 10.0 | 8.8  | 4.0  | 3.15 | 6.10 |
| 4     | 6.0             | 12.0 | 9.3  | 6.0  | 4.30 | —    |
| 5     | 8.0             | 14.0 | 11.3 | 8.0  | 4.30 | 7.0  |
| 6     | 10.0            | 16.0 | 13.3 | 10.0 | 4.30 | 7.0  |
| 7     | 12.0            | 18.0 | 15.3 | 12.0 | 4.30 | 7.0  |
| 8     | 14.0            | 20.0 | 17.3 | 14.0 | 8.30 | 11.0 |
| 9     | 16.0            | 22.0 | 19.3 | 16.0 | 8.30 | 11.0 |
| 10    | 18.0            | 24.0 | 21.3 | 18.0 | 8.30 | 11.0 |
| 11    | 20.0            | 26.0 | 23.3 | 20.0 | 8.30 | 11.0 |
| 12    | 22.0            | 28.0 | 25.3 | 22.0 | 8.30 | 11.0 |
| 13    | 24.0            | 30.0 | 27.3 | 24.0 | 8.30 | 11.0 |
| 14    | 26.0            | 32.0 | 29.3 | 26.0 | 8.30 | 11.0 |
| 15    | 28.0            | 34.0 | 31.3 | 28.0 | 8.30 | 11.0 |
| 16    | 30.0            | 36.0 | 33.3 | 30.0 | 8.30 | 11.0 |
| 17    | 32.0            | 38.0 | 35.3 | 32.0 | 8.30 | 11.0 |
| 18    | 34.0            | 40.0 | 37.3 | 34.0 | 8.30 | 11.0 |
| 19    | 36.0            | 42.0 | 39.3 | 36.0 | 8.30 | 11.0 |
| 20    | 38.0            | 44.0 | 41.3 | 38.0 | 8.30 | 11.0 |



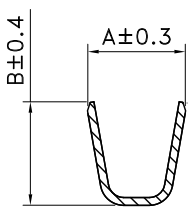
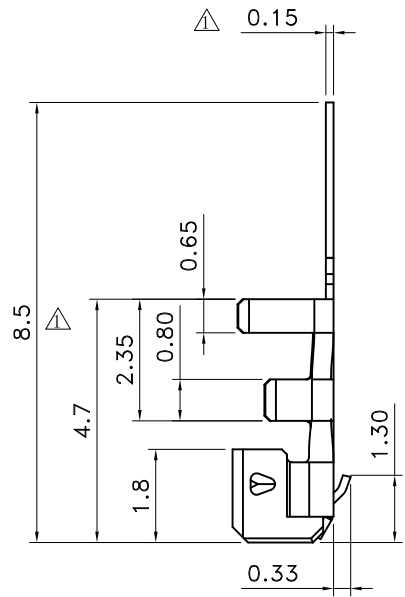
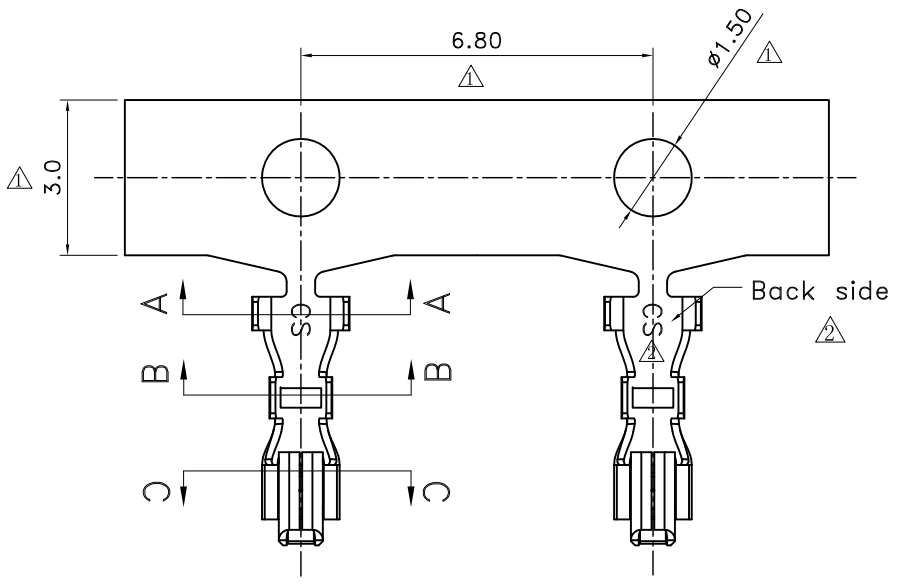
喬訊電子工業股份有限公司  
CHYAO SHIUNN  
ELECTRONIC INDUSTRIAL LTD.

PART NO JS-2002RM-XXX(XX)XX

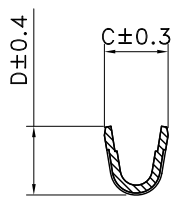
2.00mm Crimp Style Connectors

| APPROVED BY | SCALE      | UNIT    | TOLERANCE  | LTR | REVISION RECORD | NAME  | DATE       | LTR | REVISION RECORD | NAME | DATE       |
|-------------|------------|---------|------------|-----|-----------------|-------|------------|-----|-----------------|------|------------|
| 張育瑞         | 1:1        | mm      | .0 ±0.30   | △   | 設置吸蓋及吸蓋位置尺寸     | Salon | 2011/07/14 | △   | 增加塑料卷盤選項        | 曾慶根  | 2017/03/29 |
| CHECKED BY  | PROJ       | VER NO. | .00 ±0.20  | △   | 修正Pitch尺寸公差     | Salon | 2011/08/30 | △   | HF選項增加本色說明      | 曾慶根  | 2020/09/21 |
| 劉娜          | ◎          | a11     | .000 ±0.10 | △   | 變更產品注解說明        | Jack  | 2012/08/08 | △   | 依實物修正尺寸管控       | 劉娜   | 2022/09/29 |
| DRAWN BY    | DATE       | SIZE    | ANGLE      | △   | 增加產品包裝數量標示      | 吳弘文   | 2013/03/13 |     |                 |      |            |
| 劉娜          | 2022/09/29 | A4      | 0° ±1°     | △   | 修改04P E, F尺寸    | 黃廣珍   | 2013/07/25 |     |                 |      |            |
|             |            |         | 0° ±       | △   | 增加02, 03P標示     | 吳弘文   | 2014/03/25 |     |                 |      |            |
|             |            |         | SHEET 1/1  | △   | 修訂PITCH與A尺寸公差   | 任程輝   | 2014/09/20 |     |                 |      |            |

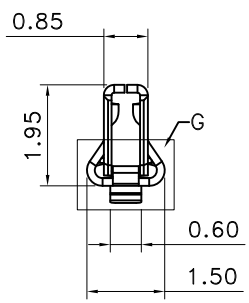
CUSTOMER  
Conforms to The RoHS Instruction



SECTION A-A

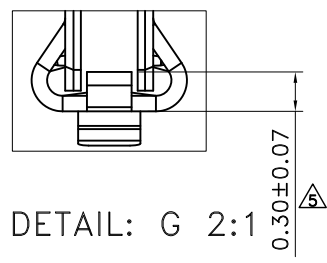


SECTION B-B



SECTION C-C

| Dim.<br>Crimp | A   | B   | C    | D    |
|---------------|-----|-----|------|------|
| TX            | 1.9 | 2.0 | 1.23 | 1.33 |
| TXH           | 2.2 | 2.4 | 1.5  | 1.55 |



DETAIL: G 2:1

**SPECIFICATIONS**

- Voltage Rating : 125V AC/DC
- △ • Current Rating : 22AWG 2.0A AC/DC  
24AWG 2.0A AC/DC  
26AWG 1.5A AC/DC  
28AWG 1.0A AC/DC  
30AWG 0.5A AC/DC
- Withstanding Voltage : 1,000V AC/minute
- Insulation Resistance : 1,000MΩ min.
- △ • Temperature Range : - 25°C to + 105°C
- △ • Contact Resistance : 20mΩ max.

**TERMINAL**

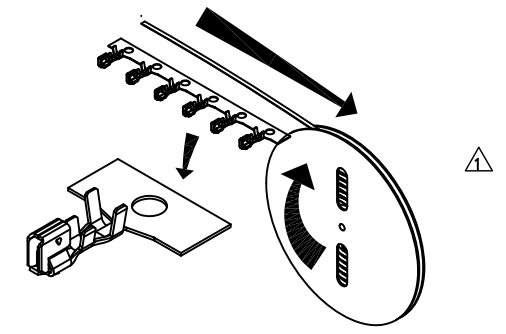
- △ • Part No. : JS-2002H-T XX X  
① ②

① Material :

- Blank : Phosphor. Bronze, Tin Plated (Plated Befor Stamping)
- B : Brass, Tin Plated (Plated Befor Stamping)
- △ P : Phosphor. Bronze, Tin Plated (Stamping Befor Plated)

- △ ② Crimp Angle: Blank: Low Crimp (AWG#24-30)  
H: High Crimp (AWG#22)

- △ • Applicable Wires: AWG# 22- 30
- Thickness : 0.15mm
- Q'ty: JS-2002H-TX 15,000 Pcs/Reel  
JS-2002H-TXH 13,000 Pcs/Reel



**CS** 喬訊電子工業股份有限公司  
CHYAO SHIUNN  
ELECTRONIC INDUSTRIAL LTD.

| APPROVED BY | SCALE      | UNIT    | TOLERANCE  | LTR | REVISION RECORD          | NAME      | DATE       | LTR                              | REVISION RECORD | NAME | DATE |
|-------------|------------|---------|------------|-----|--------------------------|-----------|------------|----------------------------------|-----------------|------|------|
| 張育瑞         |            | mm      | .0 ±0.30   | △   | 變更包裝數量及重新整理圖面            | 朱佑武       | 2012/05/16 | △                                |                 |      |      |
| CHECKED BY  | PROJ       | VER NO. | .00 ±0.20  | △   | 依實物修正圖面LOGO方向            | JACK ZHOU | 2012/06/11 | △                                |                 |      |      |
| 劉娜          |            | a7      | .000 ±0.10 | △   | 增加黃銅材質選項                 | 張逸維       | 2012/12/14 | △                                |                 |      |      |
| DRAWN BY    | DATE       | SIZE    | ANGLE      |     | 依規格書修正操作溫度               | 吳弘文       | 2014/02/18 | CUSTOMER                         |                 |      |      |
| 謝君          | 2022/03/16 | A4      | 0° ±1°     | △   | 增加端子舌片尺寸管控               | 邱建輝       | 2014/03/06 |                                  |                 |      |      |
|             |            |         | 0° ±       | △   | Add AWG 22# & High Crimp | Eddie     | 2021/09/27 | Conforms to The RoHS Instruction |                 |      |      |
|             |            |         | SHEET      | 1/1 | 增加先沖后鍍選項                 | 謝君        | 2022/03/16 |                                  |                 |      |      |

PART NO JS-2002H-TXX  
2.00mm Crimp Style Connectors