

4~15 Circuit

3 Circuit

2 Circuit

■ SPECIFICATIONS

- △ Voltage Rating : 100V AC/DC
- Current Rating : 2A AC/DC
- Withstanding Voltage : 800V AC/minute
- Insulation Resistance : 1,000MΩ min
- Temperature Range : - 25°C to + 85°C
- Contact Resistance : 20mΩ max

■ HOUSING

- Part No. : JS-2005-XX
- Poles : 2-15
- Material : Nylon 66 UL94V-0
- Q' ty: 1,000 pcs./Bag

Poles	Dimensions(mm)		
	A	B	C
2	2.00	6.00	4.80
3	4.00	8.00	6.80
4	6.00	10.00	8.80
5	8.00	12.00	10.80
6	10.00	14.00	12.80
7	12.00	16.00	14.80
8	14.00	18.00	16.80
9	16.00	20.00	18.80
10	18.00	22.00	20.80
11	20.00	24.00	22.80
12	22.00	26.00	24.80
13	24.00	28.00	26.80
14	26.00	30.00	28.80
15	28.00	32.00	30.80



喬訊電子工業股份有限公司
CHYAO SHIUNN
ELECTRONIC INDUSTRIAL LTD.

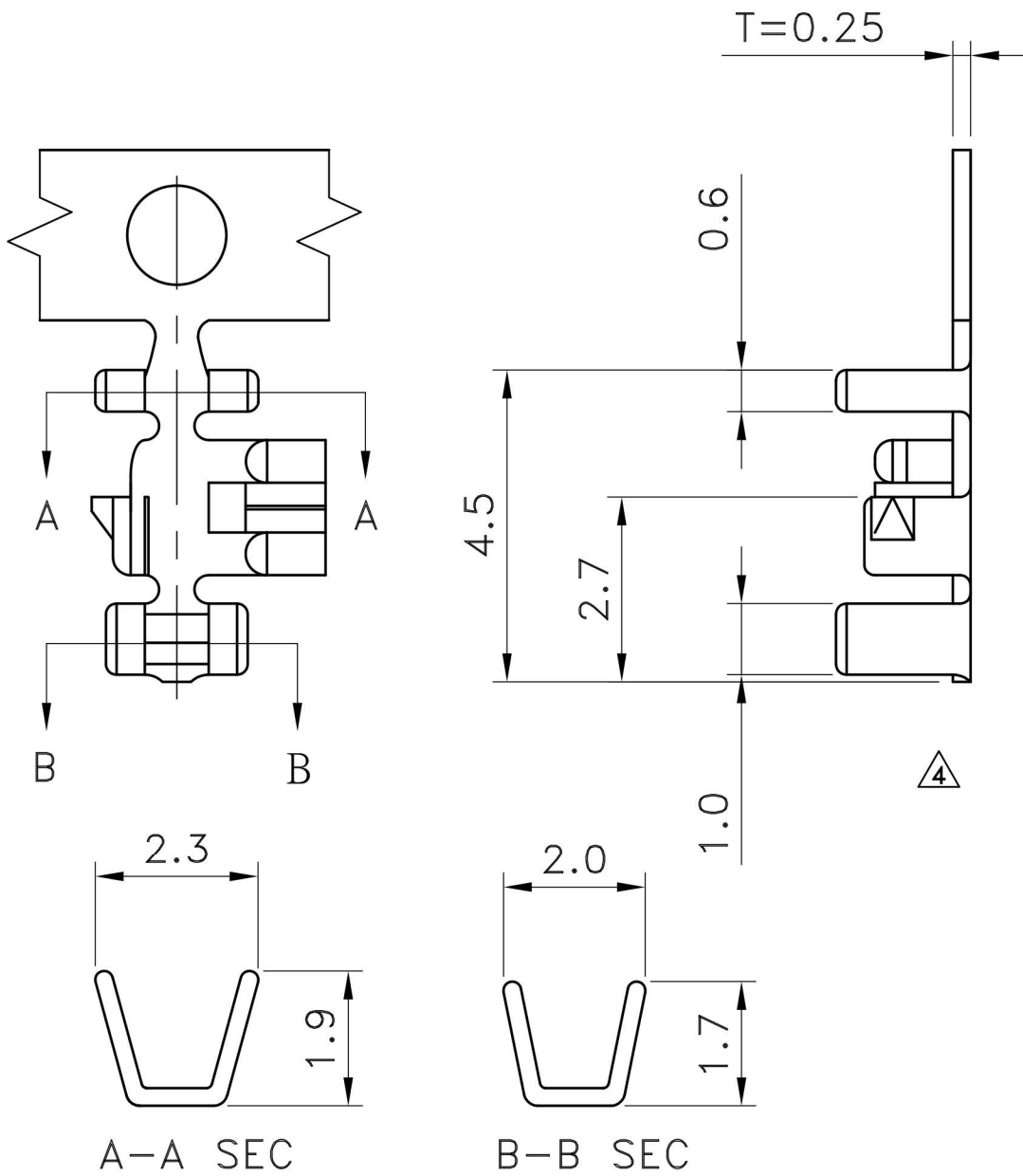
PART NO JS-2005-XX

2.00mm Crimp Style Connectors Housing

APPROVED BY	SCALE	UNIT	TOLERANCE	LTR	REVISION RECORD	NAME	DATE	LTR	REVISION RECORD	NAME	DATE
張育瑞		mm	.0 ±0.30	△	RoHS Compliant	余秀麗	2006/04/01	△			
CHECKED BY	PROJ	VER NO.	.00 ±0.20	△	ECR 200707-002	黃科源	2007/07/03	△			
劉娜		a6	.000 ±0.10	△	ECR 200808-016	黃科源	2008/08/27	△			
DRAWN BY	DATE	SIZE	ANGLE								
謝君	2022/03/25	A4	0° ±1°	△	修定額定電壓	吳弘文	2014/12/24				
			0° ±	△	刪除三角形符號	藍美娜	2016/12/27				
				△	添加PIN位數標識	謝君	2022/03/25				
			SHEET	1/1							

CUSTOMER

Conforms to The RoHS Instruction

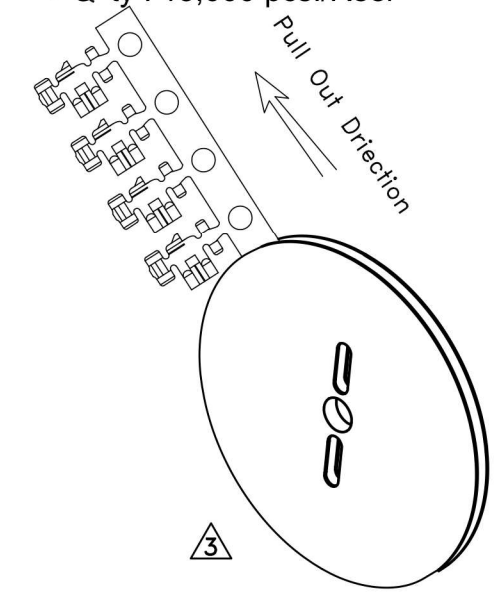


■ SPECIFICATIONS

- Voltage Rating : 100V AC/DC
- Current Rating : 2A AC/DC
- Withstanding Voltage : 800V AC/minute
- Insulation Resistance : 1000MΩ min
- Temperature Range : - 25°C to + 85°C
- Contact Resistance : 20mΩ max

■ TERMINAL

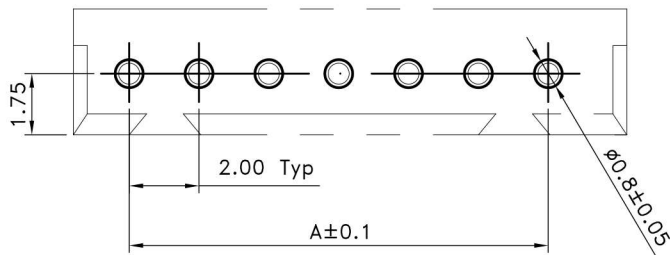
- Part No. : JS-2005-TX
- ① Blank : Tin Plated Over Nickel
- P : Pressing Before Tin Plated Over Nickel
- Applicable Wires : AWG # 24 - 26
- Material : Phosphor. Bronze
- Finish : Tin Plated
- Thickness : 0.25mm
- Q' ty : 15,000 pcs./Reel



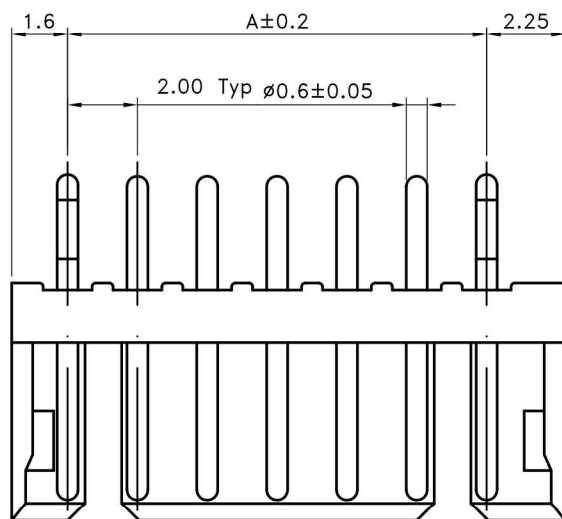

 喬訊電子工業股份有限公司
 CHYAO SHIUNN
 ELECTRONIC INDUSTRIAL LTD.

PART NO JS-2005-TX
 2.00mm crimp style Connectors Terminal

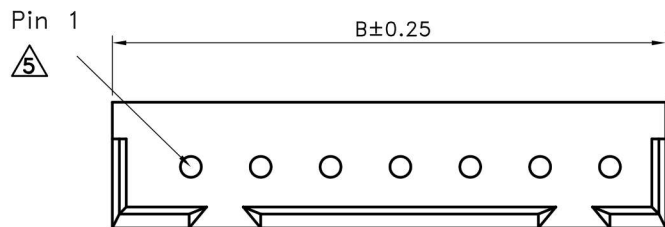
APPROVED BY	SCALE	UNIT	TOLERANCE	LTR	REVISION RECORD	NAME	DATE	LTR	REVISION RECORD	NAME	DATE
張育瑞		mm	.0 ±0.30	△	ECR 200707-012	黃科源	2007/05/17	△			
CHECKED BY	PROJ	VER NO.	.00 ±0.20	△	ECR 200808-016	黃科源	2007/06/09	△			
周慈雲		a5	.000 ±0.10	△	增加端子捲繞方向圖	吳弘文	2014/10/24	△			
DRAWN BY	DATE	SIZE	ANGLE		修正側視圖	吳弘文	2014/10/28		CUSTOMER		
吳弘文	2014/12/24	A4	0° ±1°	△	修定額定電壓	吳弘文	2014/12/24				
			.0° ±	△					Conforms to The RoHS Instruction		
			SHEET 1/1	△							



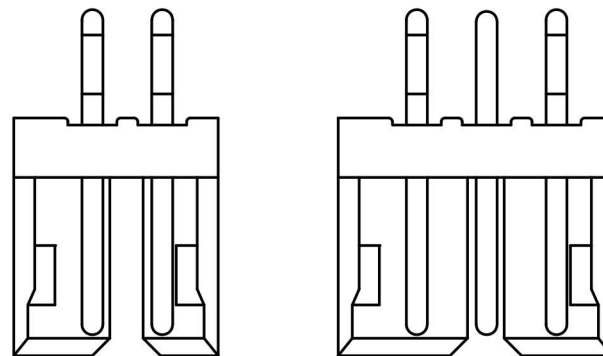
Recommend PCB Layout(Top View)



4~15 Circuit

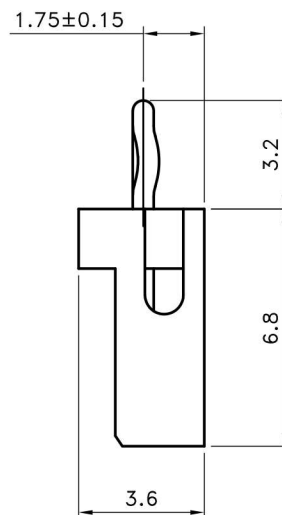


Pin 1



2 Circuit

3 Circuit



■ SPECIFICATIONS

- Voltage Rating : 100V AC/DC
- Current Rating: 2A AC/DC
- Withstanding Voltage : 800V AC/minute
- Insulation Resistance : 1000MΩ min
- Temperature Range : - 25°C to + 85°C
- Contact Resistance : 20mΩ max

■ WAFER

- Part No. : JS-2006-XX
- Poles : 2~15(Straight)
- Material : Contact : Brass, Tin Plated
Bsaе : Nylon 66 UL94V-0
- Q' ty : 1,000 pcs./Bag

Poles	Dimensions	
	A	B
2	2.00	5.85
3	4.00	7.85
4	6.00	9.85
5	8.00	11.85
6	10.00	13.85
7	12.00	15.85
8	14.00	17.85
9	16.00	19.85
10	18.00	21.85
11	20.00	23.85
12	22.00	25.85
13	24.00	27.85
14	26.00	29.85
15	28.00	31.85



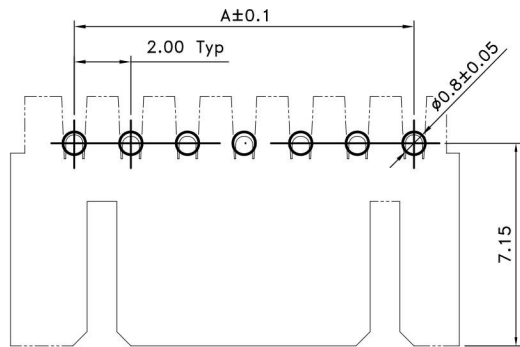
喬訊電子工業股份有限公司

CHYAO SHIUNN
ELECTRONIC INDUSTRIAL LTD.

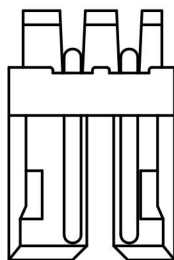
PART NO JS-2006-XX

2.00mm Crimp Style Connectors Wafer(Straight)

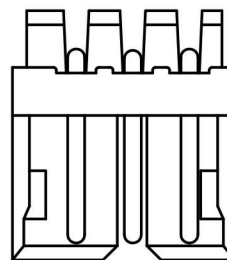
APPROVED BY	SCALE	UNIT	TOLERANCE	LTR	REVISION RECORD	NAME	DATE	LTR	REVISION RECORD	NAME	DATE
張育瑞		mm	.0 ±0.30	△	DG 200708-001	XXX	2007/08/01	△			
CHECKED BY	PROJ	VER NO.	.00 ±0.20	△	ECR 200709-002	XXX	2007/09/07	△			
劉娜	⊕	a5	.000 ±0.10	△	ECR 200808-016	黃科源	2008/08/27	△			
DRAWN BY	DATE	SIZE	ANGLE		修定額定電壓	吳弘文	2014/12/24	CUSTOMER			
謝君	2022/03/25	A4	0° ±1°	△	增加PIN位數標識	謝君	2202/03/25				
			.0° ±	△				Conforms to The RoHS Instruction			
			SHEET 1/1	△							



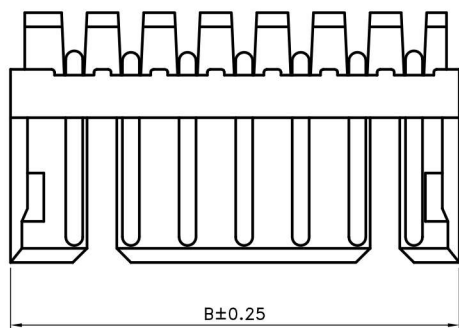
Recommend PCB Layout(Top View)



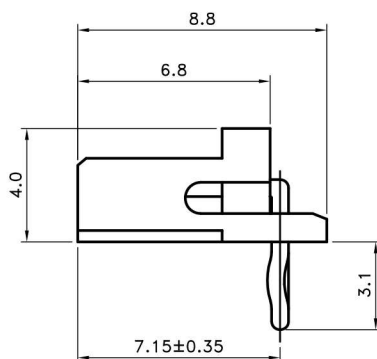
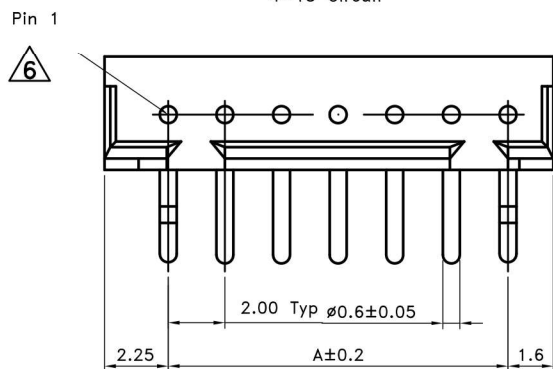
2 Circuit



3 Circuit



4~15 Circuit



■ SPECIFICATIONS

- △ Voltage Rating : 100V AC/DC
- Current Rating: 2A AC/DC
- Withstanding Voltage : 800V AC/minute
- Insulation Resistance : 1000MΩ min
- Temperature Range : - 25°C to + 85°C
- Contact Resistance : 20mΩ max

■ WAFER

- Part No. : JS-2006R-XX
- Poles : 2~15(Right Angle)
- Material : Contact : Brass, Tin Plated
Bsaе : Nylon 66 UL94V-0
- Q' ty : 1,000 pcs./Bag

Poles	Dimensions	
	A	B
2	2.00	5.85
3	4.00	7.85
4	6.00	9.85
5	8.00	11.85
6	10.00	13.85
7	12.00	15.85
8	14.00	17.85
9	16.00	19.85
10	18.00	21.85
11	20.00	23.85
12	22.00	25.85
13	24.00	27.85
14	26.00	29.85
15	28.00	31.85



喬訊電子工業股份有限公司
CHYAO SHIUNN
ELECTRONIC INDUSTRIAL LTD.

PART NO JS-2006R-XX
2.00mm Crimp Style Connectors Wafer(Right Angle)

APPROVED BY	SCALE	UNIT	TOLERANCE	LTR	REVISION RECORD	NAME	DATE	LTR	REVISION RECORD	NAME	DATE
張育瑞		mm	.0 ±0.30	△	XXX	林文彬	2006/04/01	△			
CHECKED BY	PROJ	VER NO.	.00 ±0.20	△	RoHS Compliant	林文彬	2006/04/01	△			
劉娜		a6	.000 ±0.10	△	ECR 200707-001	黃科源	2007/07/02	△			
DRAWN BY	DATE	SIZE	ANGLE		ECR 200808-016	黃科源	2008/08/27	CUSTOMER			
謝君	2022/03/25	A4	0° ±1°	△	修定額定電壓	吳弘文	2014/12/24				
			.0° ±	△	增加PIN位標識	謝君	2202/03/25	Conforms to The RoHS Instruction			
			SHEET	1/1	△						