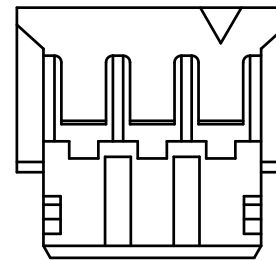
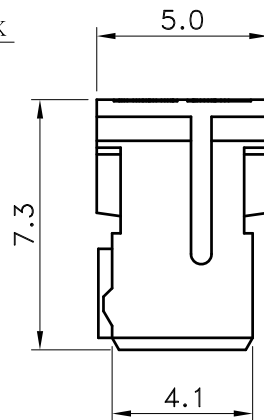
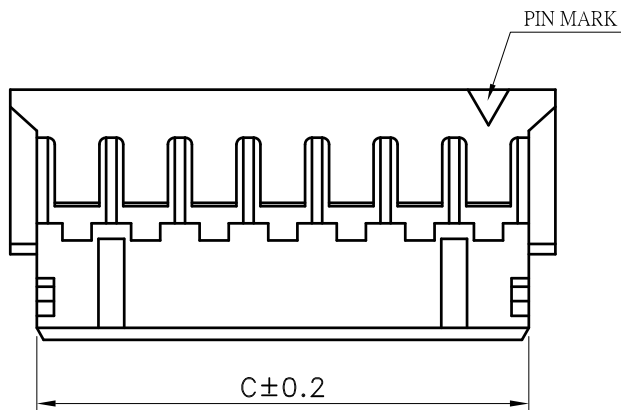
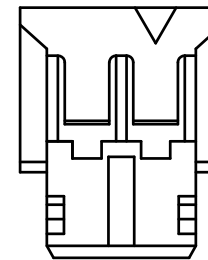


2\*7PIN 3D VIEW



2\*3PIN VIEW



2\*2PIN VIEW

■ SPECIFICATIONS

- Current Rating : 3A AC/DC
- Withstanding Voltage : 800V AC/minute
- Insulation Resistance : 1,000MΩ min
- Temperature Range : - 25°C to + 85°C
- Contact Resistance : 20mΩ max

■ HOUSING

- Part No. : JS-2007-XXx2 XX XX  
① ② ③

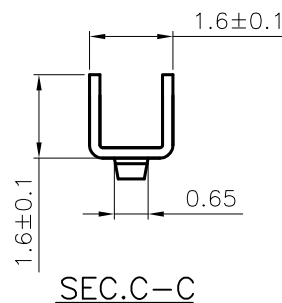
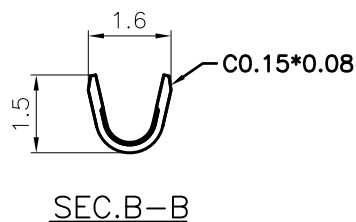
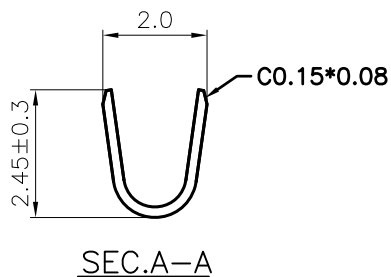
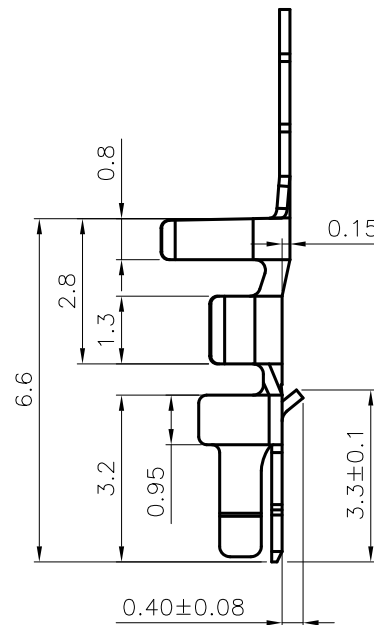
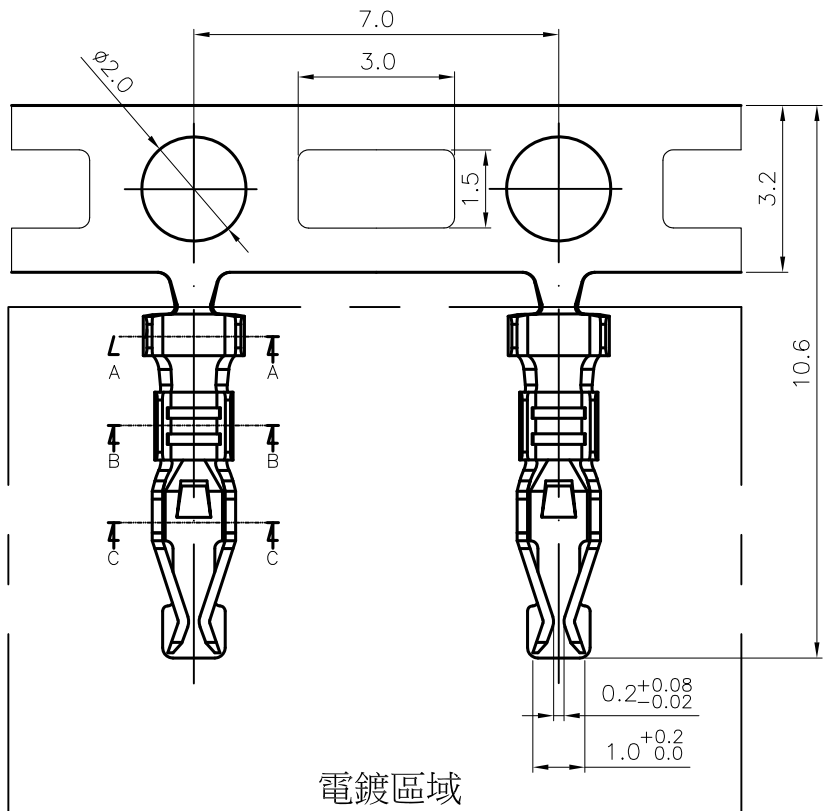
- ① Poles : 2x2 - 20x2
- ② Material : Blank: Nylon 66 UL94V-0  
GW: Nylon 66 UL94V-0(Glow Wire) △6
- ③ Color: Blank: Nature  
BK : Black △5
- Q' ty: 1,000 pcs./Bag

△4 Poles	Dimensions(mm)		
	A	B	C
2x2	2.0	5.9	4.35
3x2	4.0	7.9	6.35
4x2	6.0	9.9	8.35
5x2	8.0	11.9	10.35
6x2	10.0	13.9	12.35
7x2	12.0	15.9	14.35
8x2	14.0	17.9	16.35
9x2	16.0	19.9	18.35
10x2	18.0	21.9	20.35
11x2	20.0	23.9	22.35
12x2	22.0	25.9	24.35
13x2	24.0	27.9	26.35
14x2	26.0	29.9	28.35
15x2	28.0	31.9	30.35
16x2	30.0	33.9	32.35
17x2	32.0	35.9	34.35
18x2	34.0	37.9	36.35
19x2	36.0	39.9	38.35
20x2	38.0	41.9	40.35

 喬訊電子工業股份有限公司  
CHYAO SHIUNN  
ELECTRONIC INDUSTRIAL LTD.

PART NO JS-2007-XXx2  
2.00mm Crimp Style Connectors

APPROVED BY	SCALE	UNIT	TOLERANCE	LTR	REVISION RECORD	NAME	DATE	LTR	REVISION RECORD	NAME	DATE
張育瑞		mm	.0 ±0.30	△	200808-019	黃科源	08/08/29	△			
CHECKED BY	PROJ	VER NO.	.00 ±0.20	△	200811-001	黃科源	08/11/03	△			
劉娜		a6	.000 ±0.10	△	外觀修正	林豐盛	11/01/27	△			
DRAWN BY	DATE	SIZE	ANGLE		新增17x2~20x2規格	劉國紅	14/10/08		CUSTOMER		
謝君	2022/03/11	A4	0° ±1°	△5	新增Base顏色選項	劉娜	19/06/10		Conforms to The RoHS Instruction		
			0° ±	△6	新增GW規格選項	謝君	22/03/11				
			SHEET	1/1							



電鍍區域

### SPECIFICATIONS

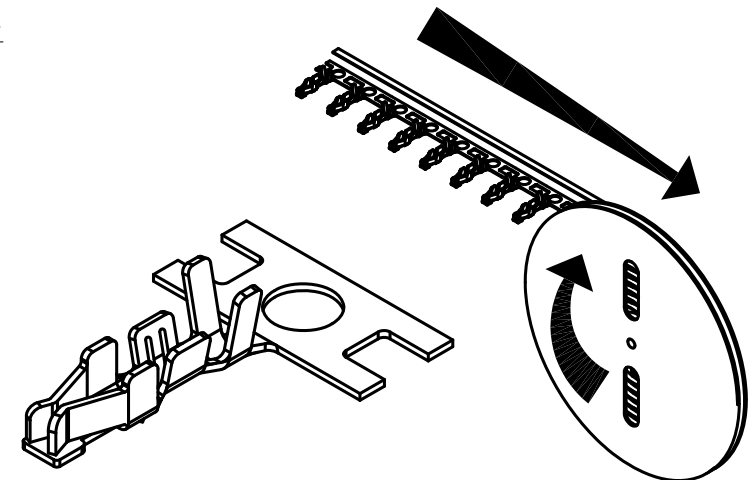
- Current Rating : 3A AC/DC
- Withstanding Voltage : 800V AC/minute
- Insulation Resistance : 1,000MΩ min
- Temperature Range : - 25°C to + 85°C
- Contact Resistance : 20mΩ max

### TERMINAL

- Part No. : JS-2007-TXX

PLATING  
 Blank: Tin Plated  
 Stamping after Plated  
 TP: Tin Plated  $\Delta$   
 Stamping Befor Plated  
 G0:Gold Plated

- Applicable Wires : AWG# 22 - 28
- Material : Phos. Bronze
- Thickness : 0.2mm
- Q' ty: 10,000 pcs./Reel

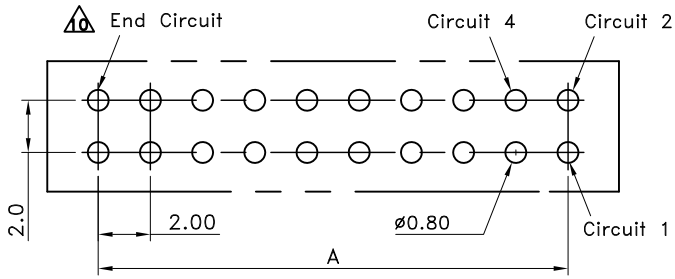


喬訊電子工業股份有限公司  
**CHYAO SHIUNN**  
**ELECTRONIC INDUSTRIAL LTD.**

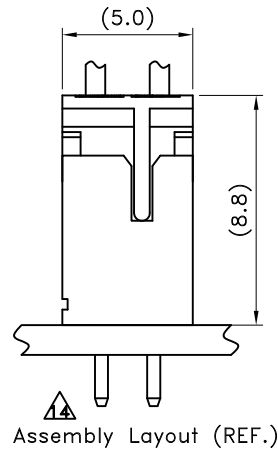
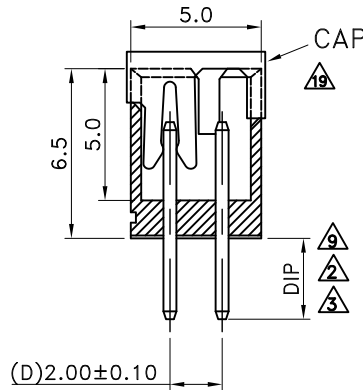
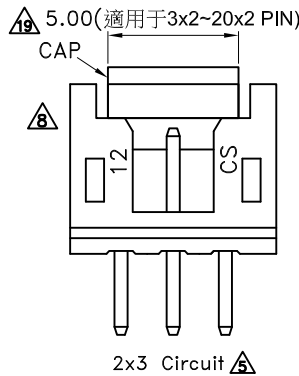
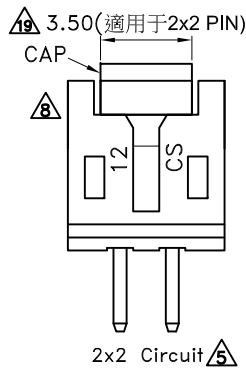
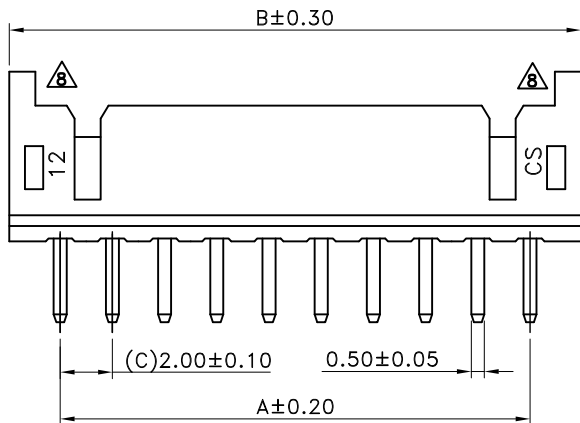
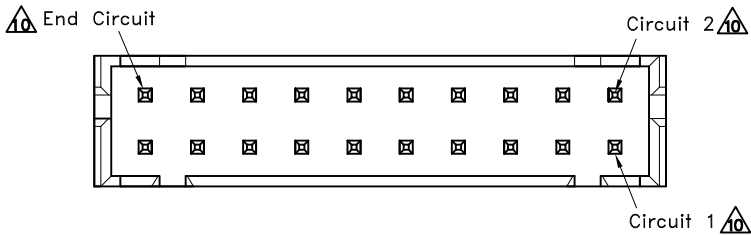
APPROVED BY	SCALE	UNIT	TOLERANCE	LTR	REVISION RECORD	NAME	DATE	LTR	REVISION RECORD	NAME	DATE
Tom Shih	1:1	mm	.0 ±0.3	$\Delta$	200505-005	龔志紅	05/05/17	$\Delta$			
CHECKED BY	PROJ	VER NO.	.00 ±0.2	$\Delta$	ECR 201102-009	林豐盛	11/01/31	$\Delta$			
張育瑞	$\odot$ $\square$	a4	.000 ±0.1	$\Delta$	增加產品管控尺寸	胡丹桂	11/11/14	$\Delta$			
DRAWN BY	DATE	SIZE	ANGLE	$\Delta$	增加TP料號選項	劉娜	20/08/20		CUSTOMER		
劉娜	2020/08/20	A4	0° ±1°	$\Delta$					Conforms to The RoHS Instruction		
			.0° ±	$\Delta$							
			SHEET 1/1	$\Delta$							

PART NO JS-2007-TXX

2.00mm Crimp Style Connectors Terminal



Recommended PCB Layout  
General Tolerance ±0.05



■ SPECIFICATIONS

- Current Rating : 3A AC/DC
- Withstanding Voltage : 800V AC/minute
- Insulation Resistance : 1,000MΩ min
- Temperature Range : - 25°C to + 85°C
- Contact Resistance : 20mΩ max

■ WAFER

- Part No. : JS-2008-XXx2 XX (X) XX XX XX  
① ② ③ ④ ⑤

- Poles : 2x2 -20x2 (Straight)

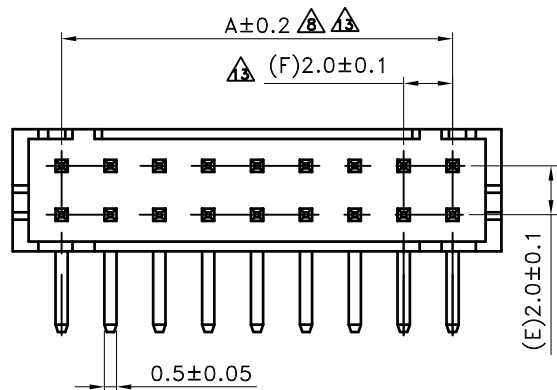
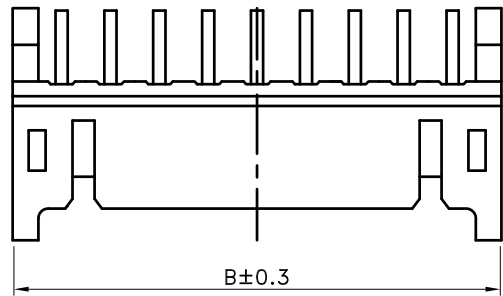
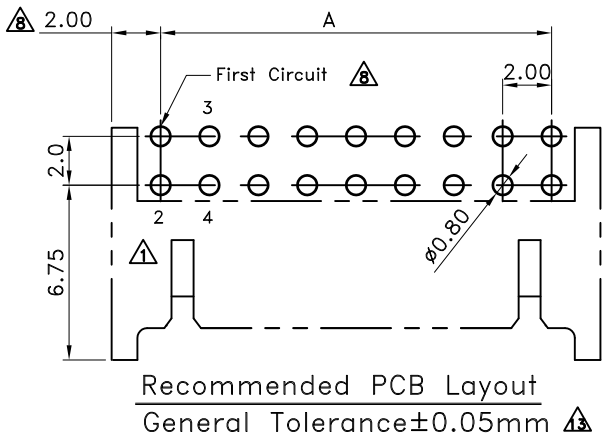
- ① Plated : Blank : Bright-Tin Plated  
② Blank : Dip3,1mm  
③ Base : Bank: PA 66+G.F. UL94 V-0  
④ Color : Blank : Brown-red 434C (Standard)  
⑤ Package: Blank : Bag  
/R : Tape&Reel (With CAP)
- ① G : Gold flash over NICKEL  
② G4 : 15u' min. Au over 50u" min. NICKEL
- ② D : Dip 2.4mm  
③ D1 : Dip 7.0mm
- ② 9T: PA 9T UL94 V-0 Color : Nature (2X2-8X2 PIN)
- ② GW : Nylon 66 UL94V-0 (Glow Wire) (Color : Natural)
- ② 6TNH1 : Nylon 6T UL94V-0 (Color : Natural, Halogen Free) (2X2-8X2 PIN)
- ② 6TNH : Nylon 6T UL94V-0 (Color : Black, Halogen Free) (2X2-8X2 PIN)
- ② BK : Black  
② W : White
- ② Material : Contact : Brass,  
Base : Refer the above narrative

Poles	Dimensions(mm)		Poles	Dimensions(mm)	
	A	B		A	B
2x2	2.00	6.00	12x2	22.00	26.00
3x2	4.00	8.00	13x2	24.00	28.00
4x2	6.00	10.00	14x2	26.00	30.00
5x2	8.00	12.00	15x2	28.00	32.00
6x2	10.00	14.00	16x2	30.00	34.00
7x2	12.00	16.00	17x2	32.00	36.00
8x2	14.00	18.00	18x2	34.00	38.00
9x2	16.00	20.00	19x2	36.00	40.00
10x2	18.00	22.00	20x2	38.00	42.00
11x2	20.00	24.00			

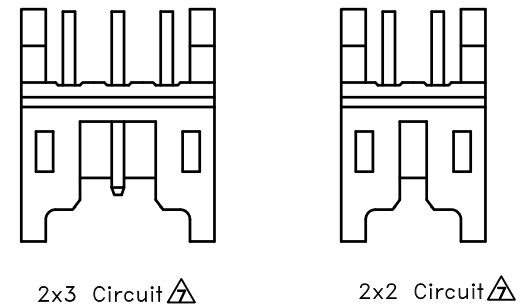
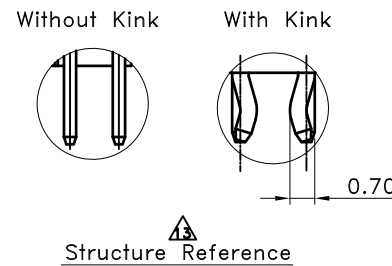
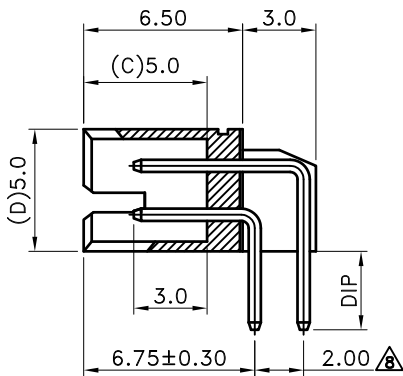
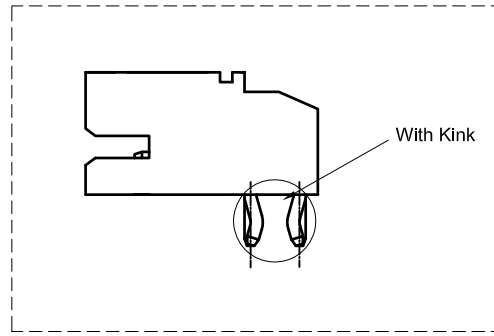
喬訊電子工業股份有限公司  
CHYAO SHIUNN  
ELECTRONIC INDUSTRIAL LTD.

PART NO JS-2008-XXx2(X)  
2.00mm Crimp Style Connectors Wafer

APPROVED BY	SCALE	UNIT	TOLERANCE	LTR	REVISION RECORD	NAME	DATE	LTR	REVISION RECORD	NAME	DATE
張育瑞		mm	.0 ±0.30	①	增加顏色White選項	鄭小嬌	2014/12/04	②	增加6TNH1規格選項	Eddie	2023/02/01
CHECKED BY	PROJ	VER NO.	.00 ±0.20	②	依業務需求 (聯絡單CT-003594) 新增鍍金PIN	周家慶	2017/06/05	③	增加CAP示圖尺寸標示及規格選項	周自強	2023/10/12
劉娜		a20	.000 ±0.10	③	新增鍍15u" Au, 50u" Ni 規格選項	Eddie	2019/11/13	④	更改高溫料生產PIN位	周自強	2024/01/22
DRAWN BY	DATE	SIZE	ANGLE	④	Add Assembly Layout	Eddie	2021/03/30	CUSTOMER			
周自強	2024/01/22	A4	0° ±1°	⑤	增加9T規格選項	謝君	2021/06/30				
			.0° ±	⑥	增加GW規格選項	謝君	2022/03/11				
			SHEET 1/1	⑦	新增DIP腳 7.0規格選項	謝君	2022/10/31	Conforms to The RoHS Instruction			



Poles	Dimensions(mm)		Poles	Dimensions(mm)	
	A	B		A	B
2x2	2.00	6.00	12x2	22.00	26.00
3x2	4.00	8.00	13x2	24.00	28.00
4x2	6.00	10.00	14x2	26.00	30.00
5x2	8.00	12.00	15x2	28.00	32.00
6x2	10.00	14.00	16x2	30.00	34.00
7x2	12.00	16.00	17x2	32.00	36.00
8x2	14.00	18.00	18x2	34.00	38.00
9x2	16.00	20.00	19x2	36.00	40.00
10x2	18.00	22.00	20x2	38.00	42.00
11x2	20.00	24.00			



### ■ SPECIFICATIONS

- Current Rating : 3A AC/DC
- Withstanding Voltage : 800V AC/minute
- Insulation Resistance : 1,000M  $\Omega$  min
- Temperature Range : - 25°C to + 85°C
- Contact Resistance : 20m  $\Omega$  max

### ■ WAFER

- Part No. : JS-2008R-XXx2 (XX XX) XX XX X
- ① Poles : 2x2 - 20x2(Right Angle)
- ② Kink Type : Blank: Without Kink  
K: With Kink
- ③ DIP Length: Blank: 3.1mm  
D1: 2.1mm  
D2: 2.4mm
- ④ Material(BASE) : Blank: Nylon 66+G.F. UL94V-0  
V0: Nylon 66 UL94V-0  
PA: Nylon 46 UL94V-0 (Poles: 2X2~6X2)
- ⑤ Color: Blank: Brown-red 434C (Standard: Nylon 66+G.F.)  
White (Standard: Nylon 66)  
Nature: Beige (Standard: Nylon 46)  
BK: Black
- ⑥ Package : Blank: PVC Tray  
/D: Bag
- Material : Contact : Brass, Tin Plated


 喬訊電子工業股份有限公司  
**CHYAO SHIUNN**  
**ELECTRONIC INDUSTRIAL LTD.**

**PART NO JS-2008R-XXx2(XX XX)XX XX X**  
**2.00mm Crimp Style Connectors Wafer(Right Angle)**

APPROVED BY	SCALE	UNIT	TOLERANCE	LTR	REVISION RECORD	NAME	DATE	LTR	REVISION RECORD	NAME	DATE
張育瑞		mm	.0 ±0.30	△	變更原因遺失	簡海平	07/06/30	△	增加顏色BK, White選項	鄭小嬌	14/12/04
CHECKED BY	PROJ	VER NO.	.00 ±0.20	△	塑膠材料&包裝方式變更	黃科源	07/11/08	△	增加包裝方式料號	鄭小嬌	15/09/25
周家慶		a13	.000 ±0.10	△	訂正B尺寸對照表及LAYOUT孔徑	黃科源	08/08/29	△	增加高溫料PA46新規格	植濟余	16/12/21
DRAWN BY	DATE	SIZE	ANGLE		增加2P&3P的示意圖	黃科源	08/11/03	CUSTOMER			
植濟余	2016/12/21	A4	0°	±1°	ECR 增加2x2pin在表列中	林豐盛	11/05/26				
			0°	±	修整塑膠材質敘述&包裝方式	王誠賢	11/10/17				
			SHEET	1/1	增加17x2-20x2 pin	吳弘文	13/01/18	Conforms to The RoHS Instruction			