



■ SPECIFICATIONS

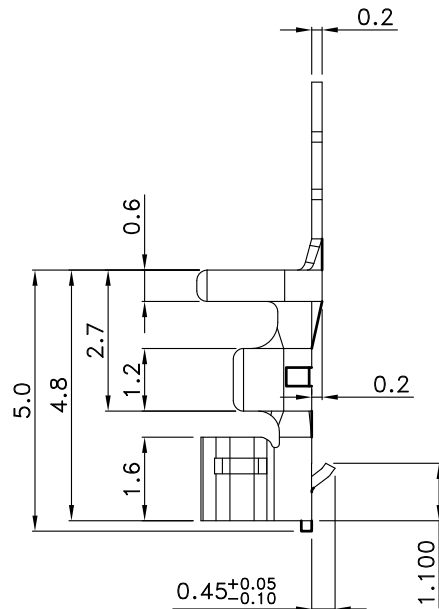
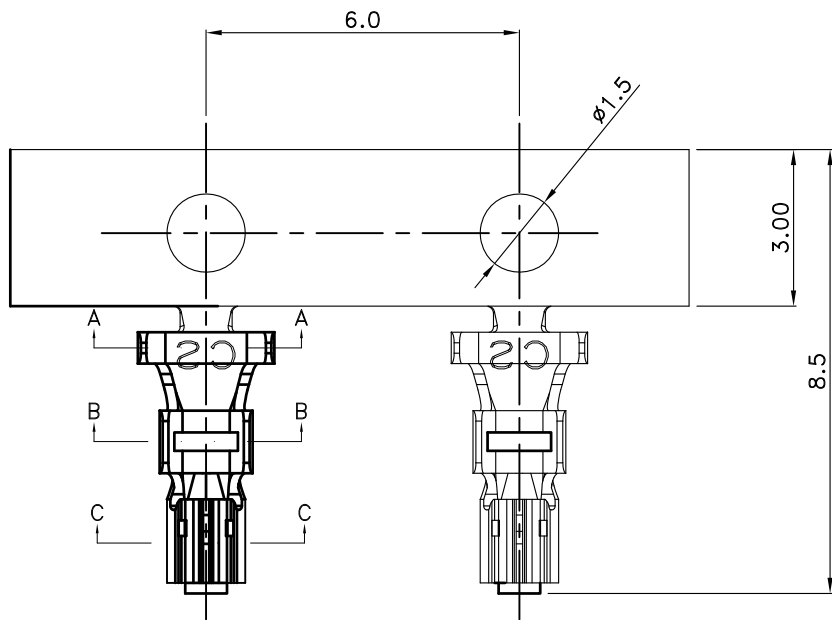
- Voltage Rating : 250V AC/DC
- Current Rating : 3A AC/DC
- Withstanding Voltage : 500V AC/minute
- Insulation Resistance : 1000M $\Omega$  min
- Temperature Range : - 25 $^{\circ}$ C to + 85 $^{\circ}$ C
- Contact Resistance : 20m $\Omega$  max

■ HOUSING

- Part No. : JS-1101-XX
- Poles : 2~15
- Material : Nylon 66 UL94V-0
- Q ' ty: 1000 pcs./Bag

Poles	Part No.	Dimensions (mm)		
		A	B	C
2	JS-1101-02	2.00	4.50	5.60
3	JS-1101-03	4.00	6.50	7.60
4	JS-1101-04	6.00	8.50	9.60
5	JS-1101-05	8.00	10.50	11.60
6	JS-1101-06	10.00	12.50	13.60
7	JS-1101-07	12.00	14.50	15.60
8	JS-1101-08	14.00	16.50	17.60
9	JS-1101-09	16.00	18.50	19.60
10	JS-1101-10	18.00	20.50	21.60
11	JS-1101-11	20.00	22.50	23.60
12	JS-1101-12	22.00	24.50	25.60
13	JS-1101-13	24.00	26.50	27.60
14	JS-1101-14	26.00	28.50	29.60
15	JS-1101-15	28.00	30.50	31.60

 喬訊電子工業股份有限公司 <b>CHYAO SHIUNN</b> <b>ELECTRONIC INDUSTRIAL LTD.</b>	APPROVED BY	SCALE	UNIT	TOLERANCE		LTR	REVISION RECORD	DATE	LTR	REVISION RECORD	DATE
	林宗		mm	.0	±0.3	ECR	RoHS Compliant	06/04/01			
	CHECKED BY	PROJ	VER NO.	.00	±0.2	ECR	200808-017	08/08/27			
PART NO	JS-1101-XX		a2	.000	±0.1				CUSTOMER		
2.00mm Crimp Style Connectors Housing			SIZE	ANGLE	ALL	±					
	DRAWN BY	DATE	A4	0°	±				Conforms to The RoHS Instruction		
	黃科源	2008/08/27	A4	.0°	±						



■ SPECIFICATIONS

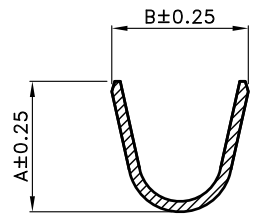
- Current Rating : 3A AC/DC
- Withstanding Voltage : 500V AC/minute
- Insulation Resistance : 1,000MΩ min
- Temperature Range : - 25°C to + 85°C
- Contact Resistance : 20mΩ max

■ TERMINAL

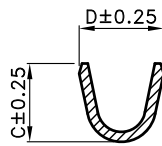
- Part No. : JS-1101-TXXX

Finish :

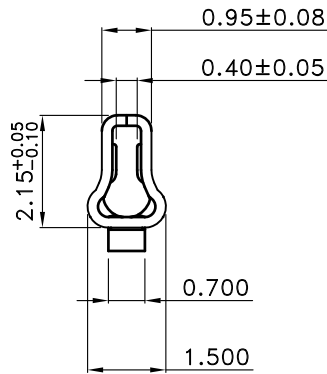
- ① Blank: Tin Plated  
P: Stamping Befor Plated  
G: Glod Flash
- ② Crimp:  
H: High Crimp  
L: Low Crimp(L1)  
C: Low Crimp(L2)
- Material : Phos. Bronze
- Thickness : 0.2mm
- Q' ty : 10,000 pcs./Reel



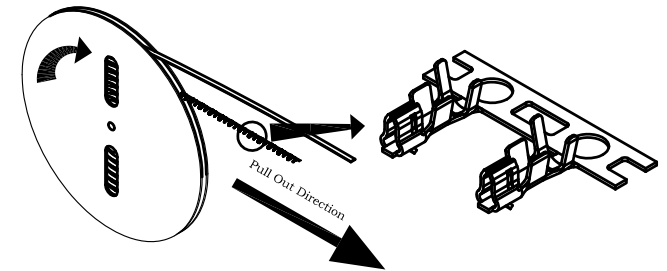
SECTION A-A



SECTION B-B



SECTION C-C



Part No.	Dimensions (mm)				Applicable Wires
	A	B	C	D	
JS-1101-T	2.50	2.70	1.50	1.70	AWG 22~30
JS-1101-TP					
JS-1101-TH	2.50	2.70	2.05	1.85	
JS-1101-TPH					
JS-1101-TL	2.00	2.10	1.20	1.30	
JS-1101-TC	2.50	2.40	1.50	1.85	AWG 24~30



喬訊電子工業股份有限公司

CHYAO SHIUNN  
ELECTRONIC INDUSTRIAL LTD.

APPROVED BY

張育瑞

SCALE

PROJ

UNIT

mm

TOLERANCE

.0 ±0.3

LTR

△

REVISION RECORD

料號整合&尺寸修改

DATE

10/07/12

LTR

△

REVISION RECORD

新增TP規格

DATE

11/10/13

PART NO

JS-1101-TXX

CHECKED BY

周家慶

PROJ

△

VER NO.

a3

TOLERANCE

±

LTR

△

REVISION RECORD

增加電鍍金規格

DATE

17/09/22

LTR

△

REVISION RECORD

增加電鍍金規格

DATE

17/09/22

2.00mm Disconnectable Crimp Style Connectors Terminal

DRAWN BY

劉娜

DATE

2017/09/22

SIZE

A4

TOLERANCE

±

LTR

△

REVISION RECORD

增加電鍍金規格

DATE

17/09/22

LTR

△

REVISION RECORD

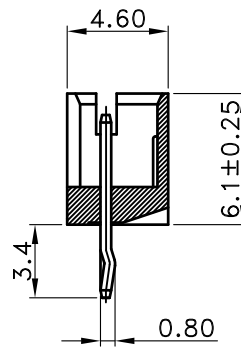
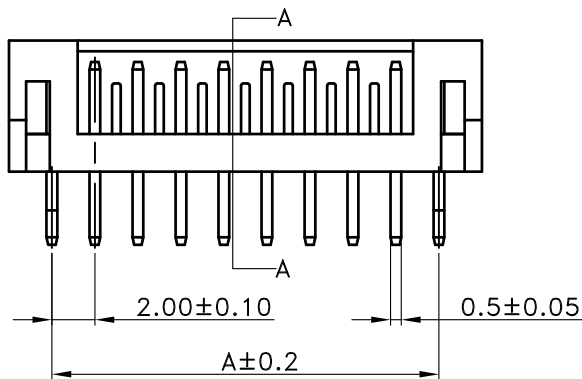
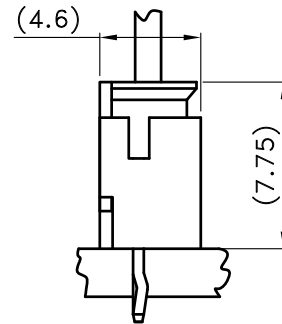
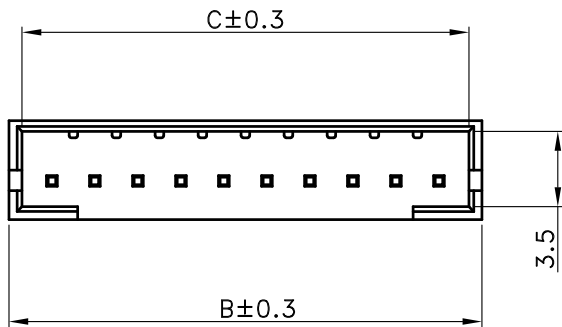
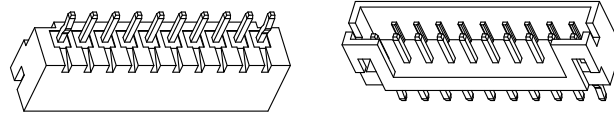
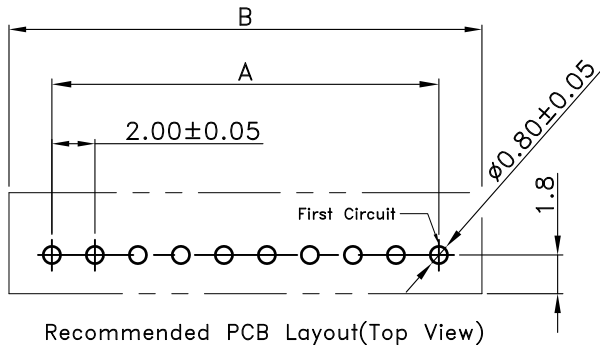
增加電鍍金規格

DATE

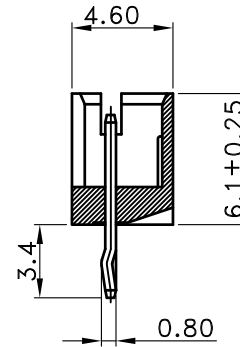
17/09/22

CUSTOMER

Conforms to The RoHS Instruction



JS-9001-XX  $\Delta$   
SECTION A-A



JS-9001-XX(K)  $\Delta$   
SECTION A-A

■ SPECIFICATIONS

- Current Rating : 3A AC/DC
- Withstanding Voltage : 500V AC/minute
- Insulation Resistance : 1000M $\Omega$  min
- Temperature Range : - 25 $^{\circ}$ C to + 85 $^{\circ}$ C
- Contact Resistance : 20m $\Omega$  max

■ WAFER

- Part No. : JS-9001-XX (X X)  $\Delta$   
① ② ③
- ① Poles : 2 - 15(Straight)
- ② Blank : Standard Kink  
K : Special Kink
- $\Delta$  ③ Blank: Tin Plated  
G: Gold Flash
- Material : Contact : Brass, Tin Plated  
 $\Delta$  Base : Nylon 66 UL94V-0, Color : Brown
- Q' ty: 1000 pcs./Bag

Poles	Dimensions(mm)		
	A	B	C
2	2.00	6.00	4.80
3	4.00	8.00	6.80
4	6.00	10.00	8.80
5	8.00	12.00	10.80
6	10.00	14.00	12.80
7	12.00	16.00	14.80
8	14.00	18.00	16.80
9	16.00	20.00	18.80
10	18.00	22.00	20.80
11	20.00	24.00	22.80
12	22.00	26.00	24.80
13	24.00	28.00	26.80
14	26.00	30.00	28.80
15	28.00	32.00	30.80

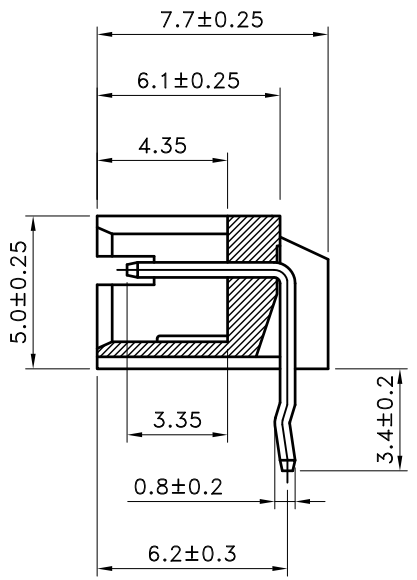
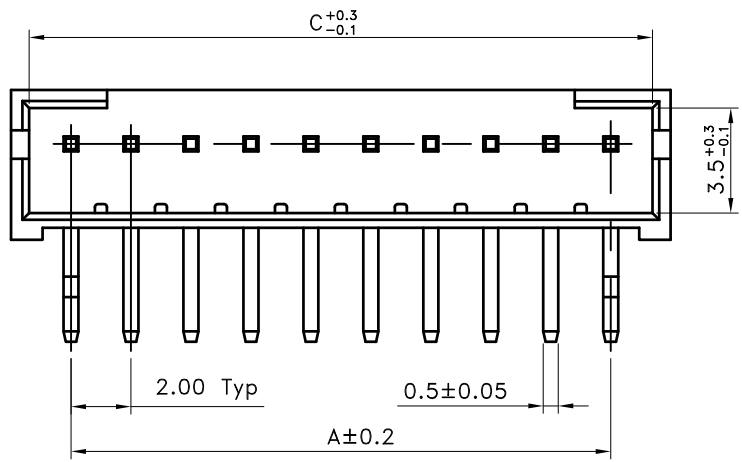
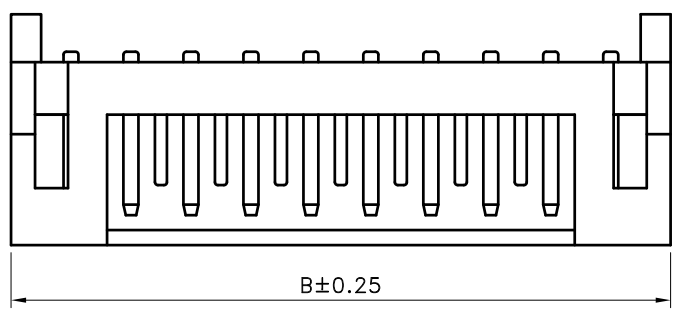
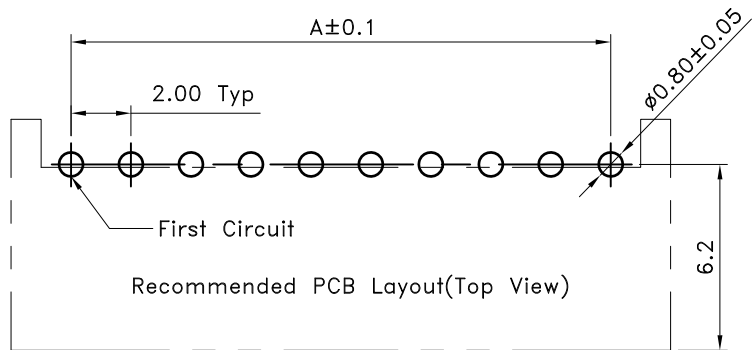


喬訊電子工業股份有限公司  
CHYAO SHIUNN  
ELECTRONIC INDUSTRIAL LTD.

PART NO JS-9001-XX(XX)

2.00mm DIP Series Wire to Board Connector Wefer Straight Type

APPROVED BY	SCALE	UNIT	TOLERANCE	LTR	REVISION RECORD	NAME	DATE	LTR	REVISION RECORD	NAME	DATE
張育瑞		mm	.0 ±0.30	$\Delta$	ECR RoHS Compliant	余秀麗	06/04/01	$\Delta$			
CHECKED BY	PROJ	VER NO.	.00 ±0.20	$\Delta$	ECR 200808-017	黃科源	08/08/27	$\Delta$			
周家慶	$\odot$ $\square$	a6	.000 ±0.10	$\Delta$	ECR 200812-019	黃科源	08/12/25	$\Delta$			
DRAWN BY	DATE	SIZE	ANGLE		區分台北與東莞，打型式	吳沛倫	10/10/22	CUSTOMER			
鄭小嬌	2015/04/20	A4	0° ±1°	$\Delta$	增加塑膠顏色敘述	吳弘文	13/04/01				
			.0° ±	$\Delta$	增加帶G料號	鄭小嬌	15/04/20	Conforms to The RoHS Instruction			
			SHEET	1/1							



■ SPECIFICATIONS

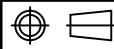
- Voltage Rating : 250V AC/DC
- Current Rating : 3A AC/DC
- Withstanding Voltage : 500V AC/minute
- Insulation Resistance : 1000MΩ min
- Temperature Range : - 25°C to + 85°C
- Contact Resistance : 20mΩ max

■ WAFER

- Part No. : JS-9001R-XX
- Poles : 2 - 15(Right Angle)
- Material : Contact : Brass, Tin Plated  
 ▲ Base : Nylon 66 UL94V-0 ,Color : Brown
- Q' ty: 1000 pcs./Bag

Poles	Dimensions(mm)		
	A	B	C
2	2.00	6.00	4.80
3	4.00	8.00	6.80
4	6.00	10.00	8.80
5	8.00	12.00	10.80
6	10.00	14.00	12.80
7	12.00	16.00	14.80
8	14.00	18.00	16.80
9	16.00	20.00	18.80
10	18.00	22.00	20.80
11	20.00	24.00	22.80
12	22.00	26.00	24.80
13	24.00	28.00	26.80
14	26.00	30.00	28.80
15	28.00	32.00	30.80


 喬訊電子工業股份有限公司  
**CHYAO SHIUNN**  
**ELECTRONIC INDUSTRIAL LTD.**

APPROVED BY	SCALE	UNIT	TOLERANCE	LTR	REVISION RECORD	NAME	DATE	LTR	REVISION RECORD	NAME	DATE
張育瑞		mm	.0 ±0.30	▲	ECR RoHS Compliant	余秀麗	06/04/01	▲			
CHECKED BY	PROJ	VER NO.	.00 ±0.20	▲	ECR 200808-017	黃科源	08/08/27	▲			
黃科源		a4	.000 ±0.10	▲	ECR 200812-019	黃科源	08/12/25	▲			
DRAWN BY	DATE	SIZE	ANGLE		▲	增加塑膠顏色敘述	吳弘文	13/03/29	CUSTOMER		
吳弘文	2013/03/29	A4	0° ±1°	▲					Conforms to The RoHS Instruction		
			.0° ±	▲							
			SHEET	1/1	▲						

**PART NO** JS-9001R-XX  
**2.00mm DIP Series Wire to Board Connector Wafer Right Angle Type**