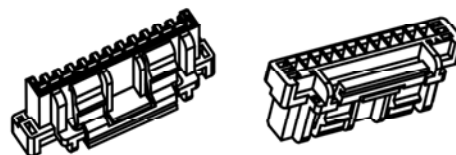
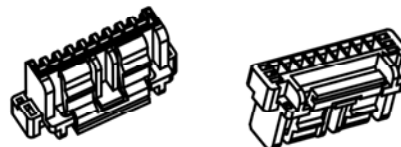


Mated Drawing(REF.)



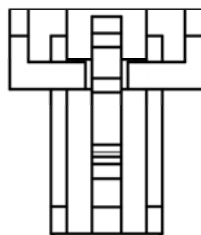
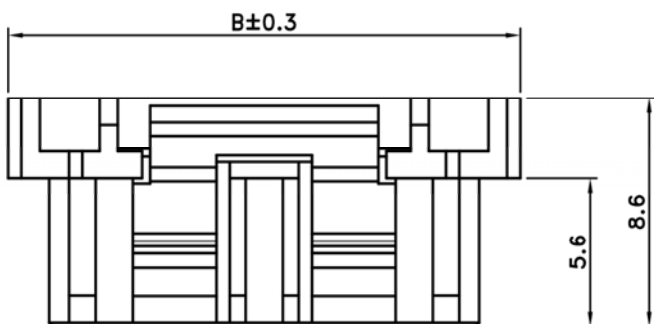
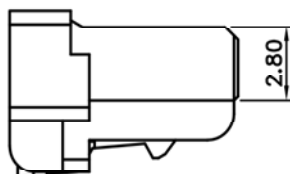
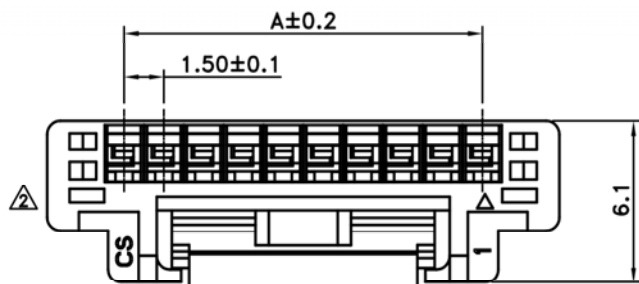
12 pin 3D view



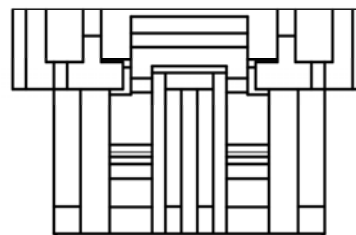
9 pin 3D view



5 pin 3D view



2~5PIN



6~9PIN

■ SPECIFICATIONS

- Current Rating : 2A AC/DC
- Withstanding Voltage : 500V AC/minute
- Insulation Resistance : 500M Ω min.
- Temperature Range : - 40°C to + 85°C
- Contact Resistance : 20m Ω max.

■ HOUSING

- Part No. : JS-1501-XX
- Poles : 2~15
- Material : PBT UL94V-0
- Mating Terminal :
  1. JS-1501-T  $\triangle$   
※(Insulation Range :  $\varnothing$ 0.70~1.02mm)
  2. JS-1501-TH  $\triangle$   
※(Insulation Range :  $\varnothing$ 0.78~1.26mm)

Poles	Dimension(mm)		
	A	B	C
2	1.50	7.30	4.20
3	3.00	8.80	5.70
4	4.50	10.30	7.20
5	6.00	11.80	8.70
6	7.50	13.30	10.20
7	9.00	14.80	11.70
8	10.50	16.30	13.20
9	12.00	17.80	14.70
10	13.50	19.30	16.20
11	15.00	20.80	17.70
12	16.50	22.30	19.20
13	18.00	23.80	20.70
14	19.50	25.30	22.20
15	21.00	26.80	23.70



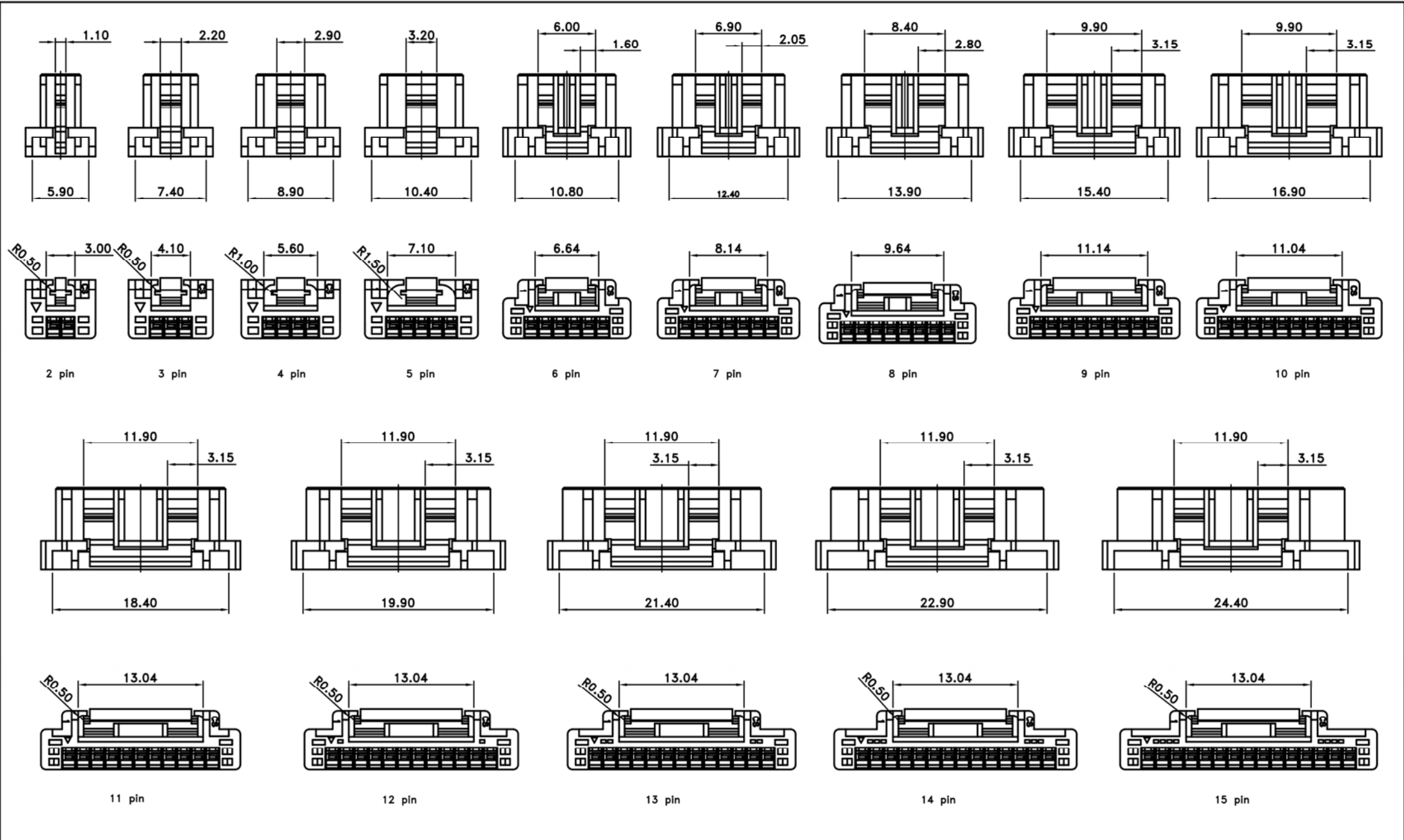
喬訊電子工業股份有限公司  
CHYAO SHIUNN  
ELECTRONIC INDUSTRIAL LTD.


PART NO JS-1501-XX

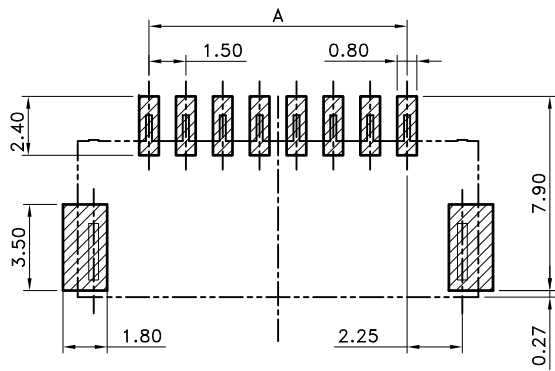
1.50mm WIRE TO BOARD CONN., HOUSING

APPROVED BY	SCALE	UNIT	TOLERANCE	LTR	REVISION RECORD	NAME	DATE	LTR	REVISION RECORD	NAME	DATE
張育瑞	1:1	mm	.0 ±0.30	$\triangle$	更正對配端子料號	林宛盈	13/06/27	$\triangle$			
CHECKED BY	PROJ	VER NO.	.00 ±0.20	$\triangle$	修改偷料孔形狀	任程輝	14/09/01	$\triangle$			
周家慶	$\oplus$	a2	.000 ±0.10	$\triangle$				$\triangle$			
DRAWN BY	DATE	SIZE	ANGLE	$\triangle$				$\triangle$			
任程輝	2014/09/01	A4	0° ±1°	$\triangle$				$\triangle$			
			.0° ±	$\triangle$				$\triangle$			
			SHEET 1/2	$\triangle$				$\triangle$			

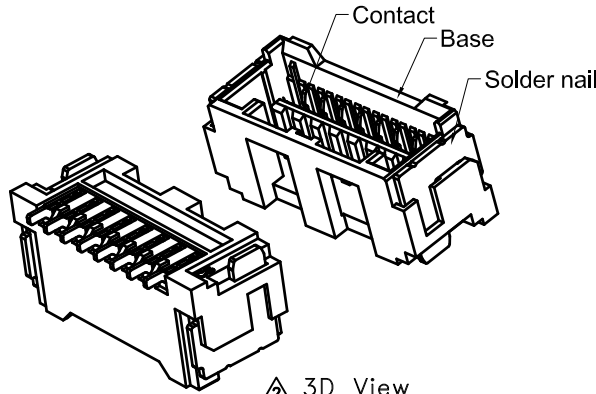
Conforms to The RoHS Instruction



 喬訊電子工業股份有限公司 <b>CHYAO SHIUNN</b> ELECTRONIC INDUSTRIAL LTD.	APPROVED BY	SCALE	UNIT	TOLERANCE	LTR	REVISION RECORD	NAME	DATE	LTR	REVISION RECORD	NAME	DATE
	張育瑞	1:1	mm	.0 ±0.30	▲	更正對配端子料號	林宛盈	2013/06/27	▲			
	CHECKED BY	PROJ	VER NO.	.00 ±0.20	▲	修改偷料孔形狀	任程輝	2014/09/01	▲			
	周家慶	☉	☐	.000 ±0.10	▲				▲			
PART NO	JS-1501-XX	周家慶	☉	ANGLE	▲					CUSTOMER		
1.50mm Crimp Style Connectors	任程輝	DATE	SIZE	0° ±1°	▲					Conforms to The RoHS Instruction		
	任程輝	2014/09/01	A4	.0° ±	▲							
				SHEET	2/2	▲						



Recommended PCB Layout  
General Tolerance  $\pm 0.05$



3D View

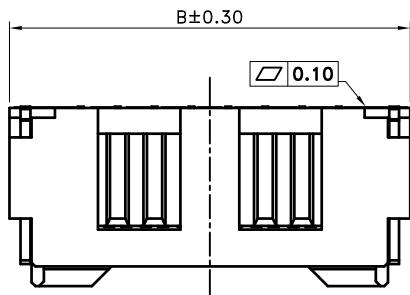


Figure of 6~15 Circuit

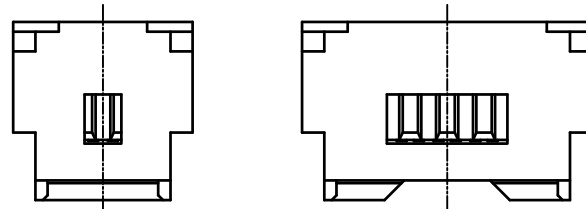
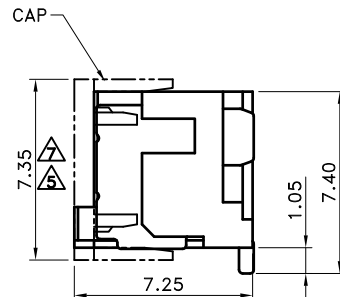
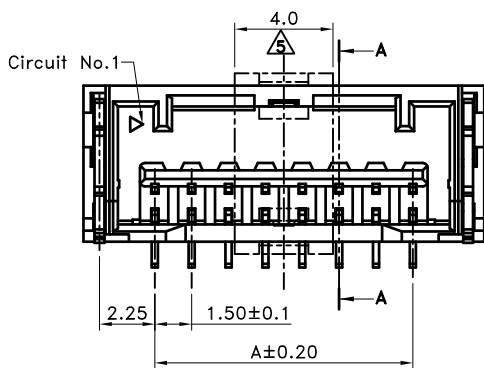
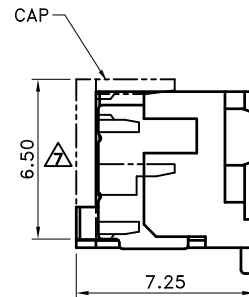


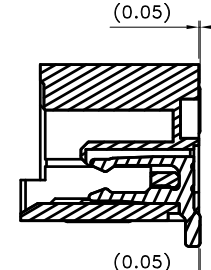
Figure of 2~5 Circuit



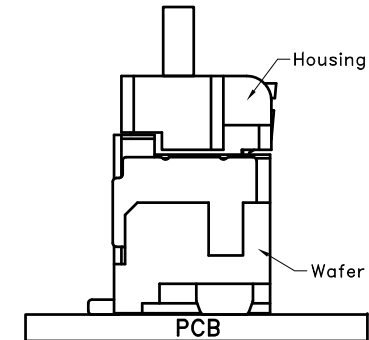
6PIN 以上



2~5PIN



Section A-A



Mated Connectors

**SPECIFICATIONS**

- Current Rating : 2A AC/DC
- Voltage Rating : 100V AC/DC
- Withstanding Voltage : 500V AC/minute
- Insulation Resistance : 500M $\Omega$  min.
- Temperature Range : -40 $^{\circ}$ C to +85 $^{\circ}$ C
- Contact Resistance : 20m $\Omega$  max.

**Wafer**

- Part No. : JS-1500V-XX XX

Product Code ① ②

① Poles: 2~15

② Plated : Blank : Tin Plated  $\Delta$

M : Matte-Tin Plated

G0 : Gold Plated

•Material : 1. Contact : Phos. Bronze

2. Base : PA6T UL 94V-0  $\Delta$   $\Delta$   $\Delta$

3. Solder nail : Brass

•Qty : 700 Pcs / Reel  $\Delta$

Poles	Dimension(mm)		Poles	Dimension(mm)	
	A	B		A	B
2	1.50	7.30	9	12.00	17.80
3	3.00	8.80	10	13.50	19.30
4	4.50	10.30	11	15.00	20.80
5	6.00	11.80	12	16.50	22.30
6	7.50	13.30	13	18.00	23.80
7	9.00	14.80	14	19.50	25.30
8	10.50	16.30	15	21.00	26.80

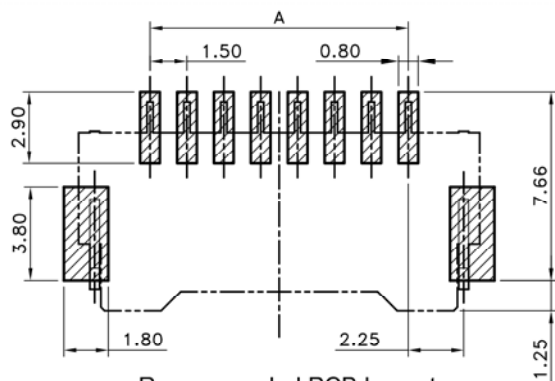


喬訊電子工業股份有限公司  
CHYAO SHIUNN  
ELECTRONIC INDUSTRIAL LTD.

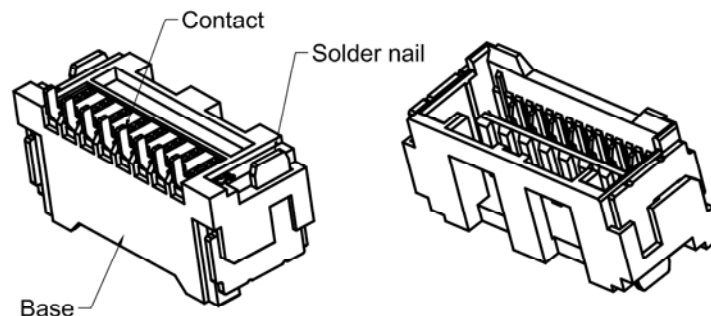
PART NO JS-1500V-XXXX

1.5mm Wire to Board Connector

APPROVED BY	SCALE	UNIT	TOLERANCE	LTR	REVISION RECORD	NAME	DATE	LTR	REVISION RECORD	NAME	DATE
張育瑞	1:1	mm	.0 $\pm 0.30$	$\Delta$	增加包裝數量	吳弘文	2013/02/05	$\Delta$			
CHECKED BY	PROJ	VER NO.	.00 $\pm 0.20$	$\Delta$	膠芯材質更改為PA4T料, 電鍍修正	吳弘文	2013/03/06	$\Delta$			
劉娜	$\oplus$	a7	.000 $\pm 0.10$	$\Delta$	電鍍增加鍍金選項	吳弘文	2013/11/08	$\Delta$			
DRAWN BY	DATE	SIZE	ANGLE		電鍍增加鍍亮錫選項	林宛盈	2014/03/04	CUSTOMER			
劉娜	2022/08/01	A4	0 $^{\circ}$	$\pm 1^{\circ}$	更正為PA46料&卷包數量&增加CAP	周家慶	2017/07/17				
			0 $^{\circ}$	$\pm$	原料PA46更改為PA6T	曾慶根	2018/08/31	Conforms to The RoHS Instruction			
			SHEET	1/1	依實物修正蓋子尺寸	劉娜	2022/08/01				



Recommended PCB Layout  
General Tolerance  $\pm 0.05$



3D View

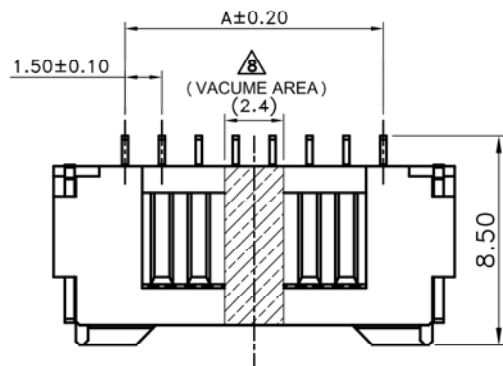


Figure of 6~15 Circuit

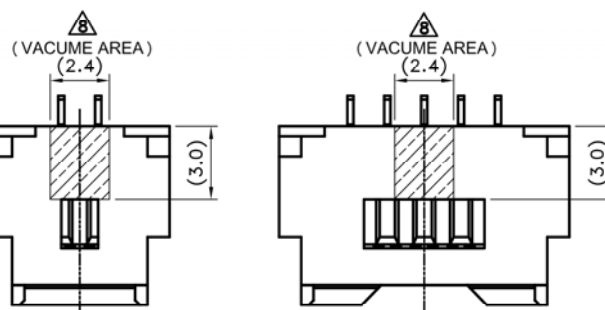
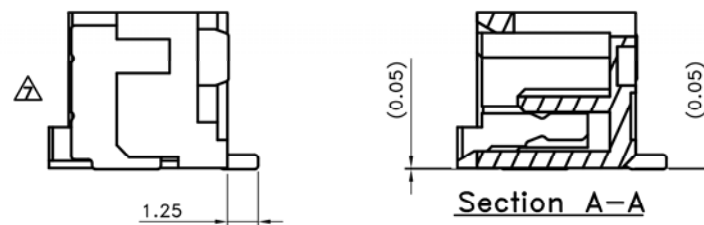
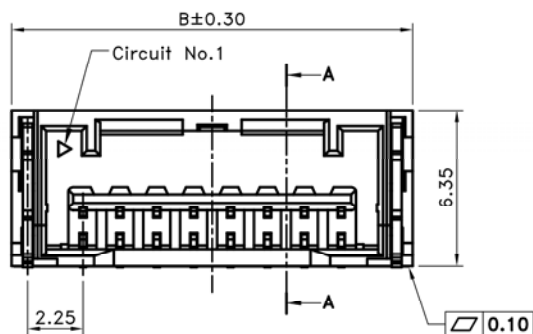


Figure of 2~5 Circuit



Section A-A

**SPECIFICATIONS**

- Current Rating : 2A AC/DC
- Voltage Rating : 100V AC/DC
- Withstanding Voltage : 500V AC/minute
- Insulation Resistance : 500M $\Omega$  min.
- Temperature Range : -40 $^{\circ}$ C to +85 $^{\circ}$ C
- Contact Resistance : 20m $\Omega$  max.

**Wafer**

- Part No. : JS-1500H-XX XX
- Product Code ① ②

① Poles: 2~15

② Plated : Blank : Tin Plated  $\Delta$

M : Matte-Tin Plated

G0 : Gold Plated  $\Delta$

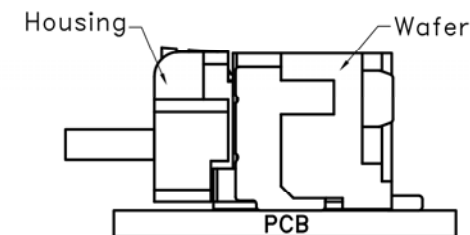
• Material : 1. Contact : Phos. Bronze

2. Base : PA6T UL 94V-0  $\Delta$  $\Delta$  $\Delta$

3. Solder nail : Brass

• Qt'y : 800 Pcs / Reel  $\Delta$

Poles	Dimension(mm)		Poles	Dimension(mm)	
	A	B		A	B
2	1.50	7.30	9	12.00	17.80
3	3.00	8.80	10	13.50	19.30
4	4.50	10.30	11	15.00	20.80
5	6.00	11.80	12	16.50	22.30
6	7.50	13.30	13	18.00	23.80
7	9.00	14.80	14	19.50	25.30
8	10.50	16.30	15	21.00	26.80



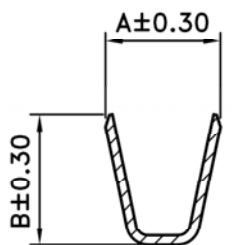
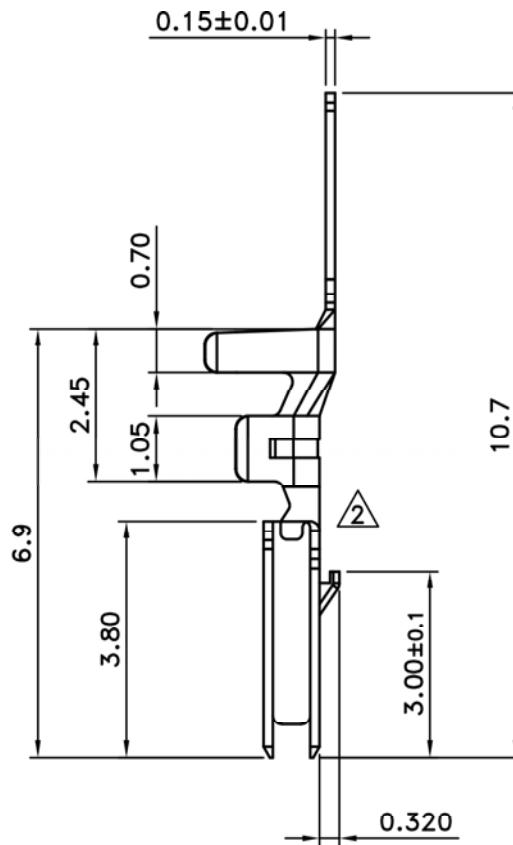
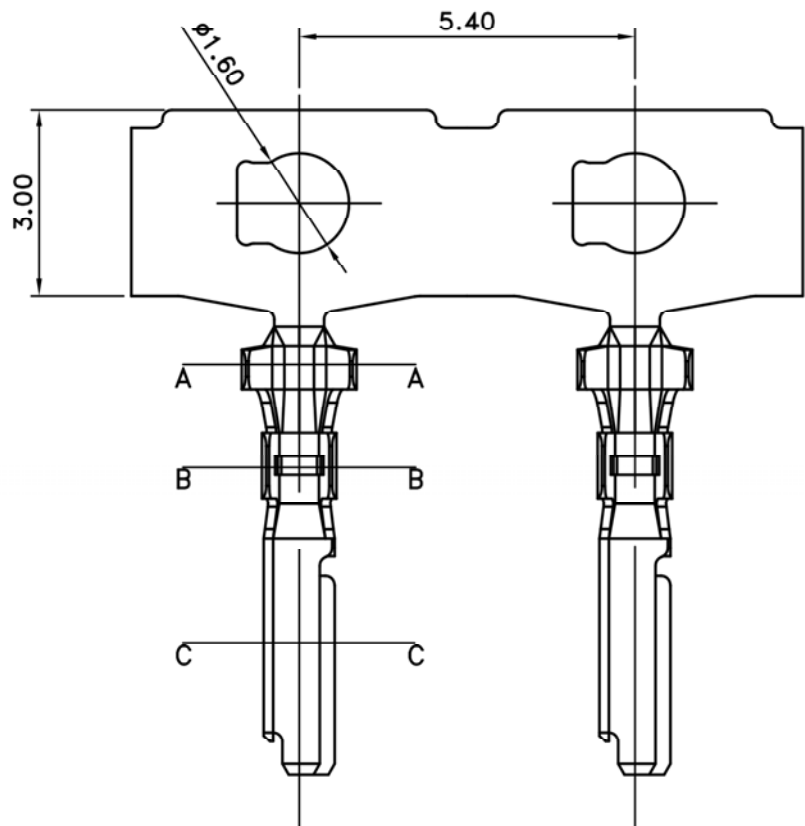
Mated Connectors



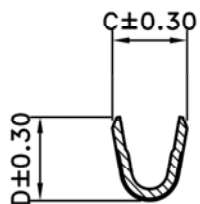
喬訊電子工業股份有限公司  
CHYAO SHIUNN  
ELECTRONIC INDUSTRIAL LTD.

PART NO JS-1500H-XXXX  
1.5mm Wire to Board Connector

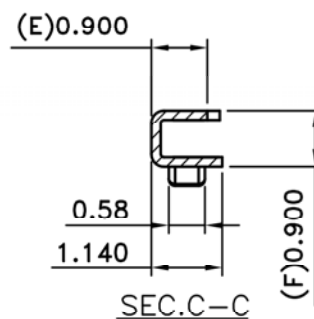
APPROVED BY	SCALE	UNIT	TOLERANCE	LTR	REVISION RECORD	NAME	DATE	LTR	REVISION RECORD	NAME	DATE
Tom Shih	1:1	mm	.0 $\pm 0.30$	$\Delta$	增加包裝數量	吳弘文	2013/02/05	$\Delta$	增加自動機移料吸取位置標示	劉娜	2020/03/19
CHECKED BY	PROJ	VER NO.	.00 $\pm 0.20$	$\Delta$	膠芯材質更改為PA4T料	吳弘文	2013/03/06	$\Delta$			
張育瑞	$\odot$	a8	.000 $\pm 0.10$	$\Delta$	增加鍍金選項	吳弘文	2013/11/08	$\Delta$			
DRAWN BY	DATE	SIZE	ANGLE		增加鍍亮錫選項	林宛盈	2014/03/04	CUSTOMER			
劉娜	2021/03/19	A4	0 $^{\circ}$	$\pm 1^{\circ}$	更正為PA46料&卷包數量&增加CAP	周家慶	2017/07/17				
			.0 $^{\circ}$	$\pm$	PA46料改為PA6T	曾慶根	2018/08/31				
			SHEET	1/1	delete cap	Erin	2020/03/06	Conforms to The RoHS Instruction			



SEC.A-A



SEC.B-B



SEC.C-C

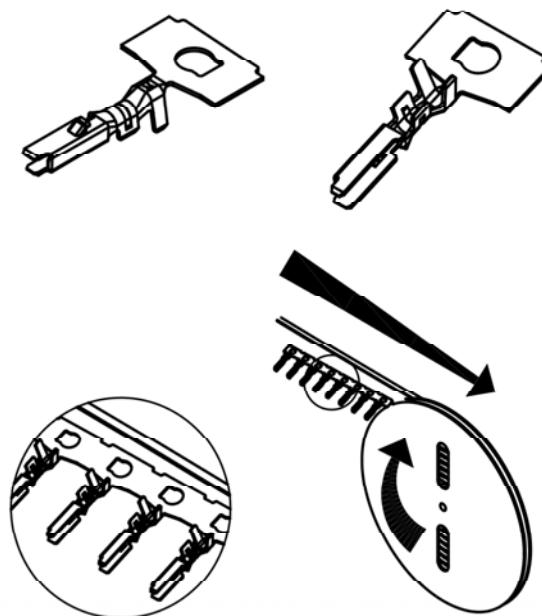
■ SPECIFICATIONS

• Part No.:JS-1501-TX

Blank:Standard Process  
H:High Crimp

- Material:Phosphor Bronze
- Wire Range: JS-1501-T :AWG #26~#30  
Insulation O.D.: 0.7mm~1.02mm  
JS-1501-TH:AWG #24~#28  
Insulation O.D.: 0.78mm~1.28mm

- Plated: Tin(Pre-Plated)
- Q'ty:15,000 Pcs/Reel



	A	B	C	D
QJS-1501-T	1.75	1.80	1.20	1.20
QJS-1501-TH	1.85	2.10	1.20	1.35



喬訊電子工業股份有限公司  
CHYAO SHIUNN  
ELECTRONIC INDUSTRIAL LTD.

APPROVED BY	SCALE	UNIT	TOLERANCE	LTR	REVISION RECORD	NAME	DATE	LTR	REVISION RECORD	NAME	DATE
張育瑞	1:1	mm	.0 ±0.30	△	增加產品包裝數量	JACK	2012/10/23	△			
CHECKED BY	PROJ	VER NO.	.00 ±0.20	△	修改過渡處固定部位形狀	任程輝	2014/09/01	△			
周家慶	⊕	a2	.000 ±0.10	△				△			
DRAWN BY	DATE	SIZE	ANGLE	△					CUSTOMER		
任程輝	2014/09/01	A4	0° ±1°	△					Conforms to The RoHS Instruction		
			.0° ±	△							
			SHEET 1/1	△							

PART NO JS-1501-TX  
1.50mm Crimp Style Connectors