

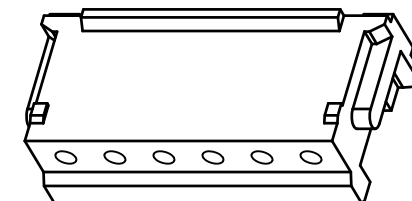
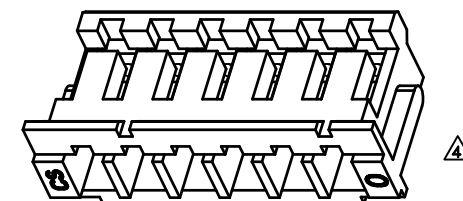
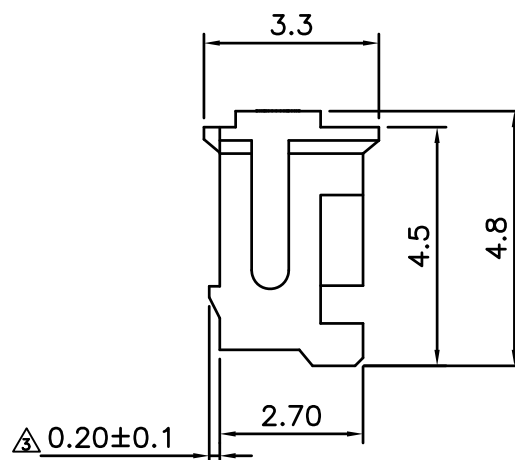
Poles	Dimension(mm)		
	A	B	C
2	1.50	4.50	3.40
3	3.00	6.00	4.90
4	4.50	7.50	6.40
5	6.00	9.00	7.90
6	7.50	10.50	9.40
7	9.00	12.00	10.90
8	10.50	13.50	12.40
9	12.00	15.00	13.90
10	13.50	16.50	15.40
11	15.00	18.00	16.90
12	16.50	19.50	18.40
13	18.00	21.00	19.90
14	19.50	22.50	21.40
15	21.00	24.00	22.90

### ■ SPECIFICATIONS

- Current Rating : 1A AC/DC
- Withstanding Voltage : 500V AC/minute
- Insulation Resistance : 500MΩ min
- Temperature Range : - 25°C to + 85°C
- Contact Resistance : 20mΩ max

### ■ HOUSING

- Part No. : JS-1173-XX XX
  - ①
  - ②
- ① • Poles : 2~15
- ② Material : Blank :Nylon 66 UL94V-0  
NH:Nylon 66 UL94V-0 Non-Halogen
- Q' ty : 1000pcs./Bag



3D VIEW



喬訊電子工業股份有限公司

CHYAO SHIUNN  
ELECTRONIC INDUSTRIAL LTD.

PART NO JS-1173-XXXX  
1.50mm Crimp Style Connectors Housing

APPROVED BY	SCALE	UNIT	TOLERANCE	LTR	REVISION RECORD	NAME	DATE	LTR	REVISION RECORD	NAME	DATE
張育瑞	1:1	mm	.0 ±0.30		RoHS Compliant	余秀麗	05/05/15				
CHECKED BY	PROJ	VER NO.	.00 ±0.20		ECR 200803-011	黃科源	08/03/10				
劉娜		a5	.000 ±0.10		圖面整理,增加CS MARK	Jack	11-08-25				
DRAWN BY	DATE	SIZE	ANGLE		根據實物,刪除圖紙三角符號	謝君	20-04-13	CUSTOMER			
謝君	2023/03/14	A4	0° ±1°		增加NH選項	謝君	23-03-14				
			0° ±					Conforms to The RoHS Instruction			
			SHEET 1/1								

REV	ECN.NO.	REVISIONS	REV.DRAWN	DATE
L		增加 DIP 3.4mm 规格	sunquan	13-02/05
M		增加镀金规格G4	sunquan	13-07/09
N		增加红色代码	sunquan	14-06/06
O	15043	料号整合	sunquan	15-05/05

**SPECIFICATIONS**

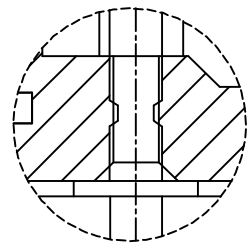
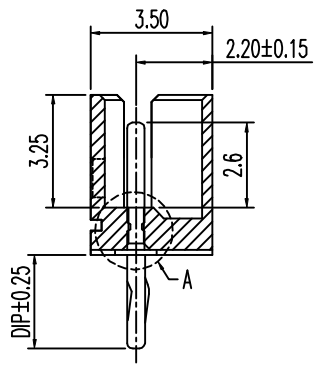
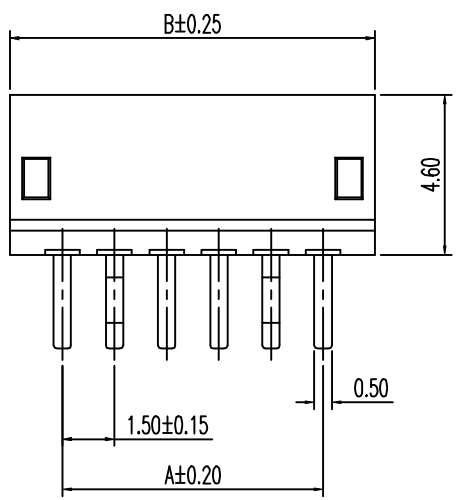
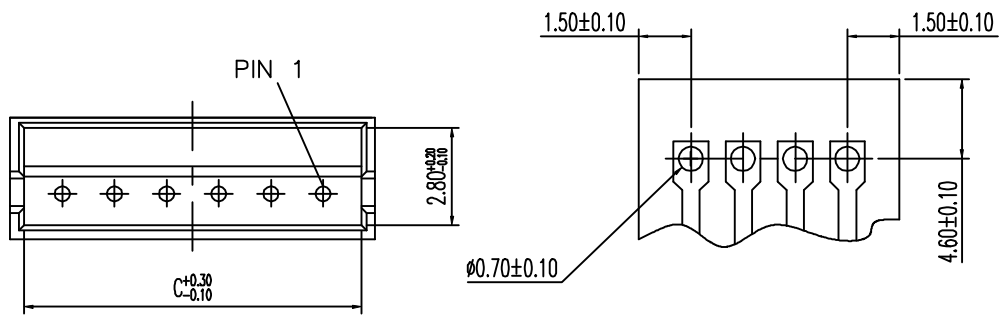
- Rated Voltage : 50V AC/DC
- Rated Current : 1A AC/DC
- Withstanding Voltage : 500V AC/minute
- Insulation Resistance : 500MΩ min
- Temperature Range : - 25°C to + 85°C
- Contact Resistance : 20mΩ max

**WAFER**

- Part No1 : JS-1174-XX(PANM)-XX
  - Pole: 02~13
  - (material) PAN: PA46
  - (Color) : nature of material
  - Blank: DIP:2.7
  - D24: DIP:2.4
  - D34: DIP:3.4
  - Blank: Tin Plated(Ni:>30μ",Sn:>100μ")
  - M: Matte sn(Ni:>30μ",Sn:>100μ")
  - G4: Gold Plated(Ni:>50μ",Au:>15μ")
- Part No2: JS-1174-XX(M)-XXXX-XX-NH
  - Pole: 02~13
  - Blank: Tin Plated (Ni:>30μ",Sn:>100μ")
  - (M): Matte sn (Ni:>30μ",Sn:>100μ")
  - Blank&D1: PA66
  - D5: PA66+15%GF(NH)
  - Blank: Normal
  - NH: Halogen Free
  - Blank: DIP:2.7
  - D24: DIP:2.4
  - D34: DIP:3.4
  - Blank: Pear , Beige
  - NA: Nature
  - RD: Red

- Material : Contact : Brass, Gold or Sn Plated(See P/N.)  
Base : Nylon, UL 94V-0
- Q'ty : 1,000 pcs/Bag
- Halogen free product identification LOGO on the packing

Poles	Dimension (mm)			Poles	Dimension (mm)		
	A	B	C		A	B	C
2	1.50	4.50	3.50	8	10.50	13.50	12.50
3	3.00	6.00	5.00	9	12.00	15.00	14.00
4	4.50	7.50	6.50	10	13.50	16.50	15.50
5	6.00	9.00	8.00	11	15.00	18.00	17.00
6	7.50	10.50	9.50	12	16.50	19.50	18.50
7	9.00	12.00	11.00	13	18.00	21.00	20.00

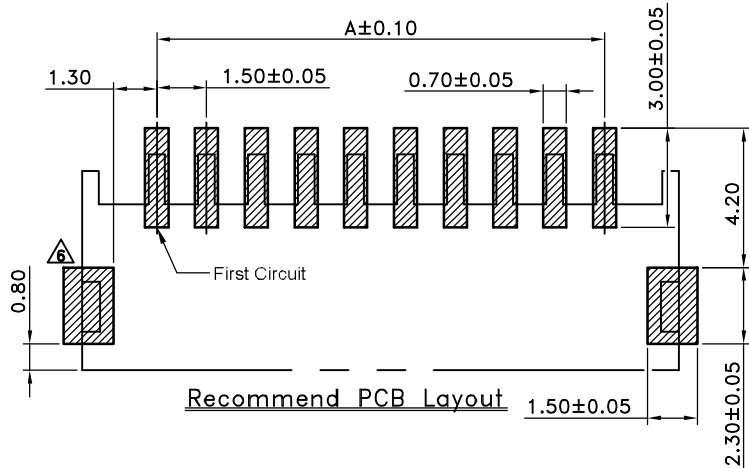


SECTION: A-A 3/1

X.± 0.4	X°.± 5.0°	UNITS mm	NAME(INTENDED USE) CUSTOMER	CHYAO SHUINN ELECTRONIC (SHANGHAI) CO.,LTD.D	
.X± 0.3	.X°.± 2.0°				MAT'L
.XX± 0.2	.XX°.± 1.0°	FINISH	PART NO.(INTENDED USE) JS-1174-XX	TITLE: 1.50mm Crimp Style Connector	
.XXX± 0.1	.XXX°.± ---		Q'TY	APPD:	DWG NO.: 020-0047-1174-XX
THESE DRAWINGS AND SPECIFICATIONS ARE THE PROPERTY OF CHYAO SHUINN ELECTRONIC CO., LTD. AND SHALL NOT BE REPRODUCED, COPIED OR USED IN ANY MANNER WITHOUT THE PRIOR WRITTEN CONSENT OF CHYAO SHUINN ELECTRONIC CO., LTD.		CHKD:		DR: Yuqilong	08-08/18
			SCALE	SHEET	REV.
			2:1	1/1	0



符合环境管理物质



Poles	Dimensions (mm)		
	A	B	C
2	1.50	6.00	3.60
3	3.00	7.50	5.10
4	4.50	9.00	6.60
5	6.00	10.50	8.10
6	7.50	12.00	9.60
7	9.00	13.50	11.10
8	10.50	15.00	12.60
9	12.00	16.50	14.10
10	13.50	18.00	15.60
11	15.00	19.50	17.10
12	16.50	21.00	18.60
13	18.00	22.50	20.10
14	19.50	24.00	21.60
15	21.00	25.50	23.10

■ SPECIFICATIONS

- Voltage Rating : 50V AC/DC
- Current Rating : 1A AC/DC
- Withstanding Voltage : 500V AC/minute
- Insulation Resistance : 500M Ω min
- Temperature Range : - 25°C to + 85°C
- Contact Resistance : 20m Ω max

■ WAFER

- Part No. : JS-1174H-XX (XX XX)XX  
① ② ③ ④

Code No.

- ① Poles No. : 2 ~ 15(Right Angle)

② Base Material :

- Blank : Nylon 9T UL94V-0
- PA : Nylon 46 UL94V-0  $\Delta$
- HF: Nylon 6T/66 UL94V-0(Color :BLACK, Halogen Free)
- HF1: Nylon 6T UL94V-0(Color :Natural, Halogen Free)  $\Delta$

③ Contact Plated :  $\Delta$

- Blank : Tin Plated
- NM : Matte -Tin
- G : Gold Plated

④ Base Color :  $\Delta$

- Blank : Natural
- RD : Red
- GR : Green
- BU : Blue

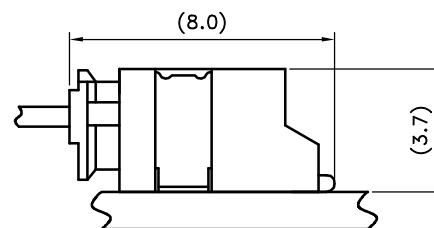
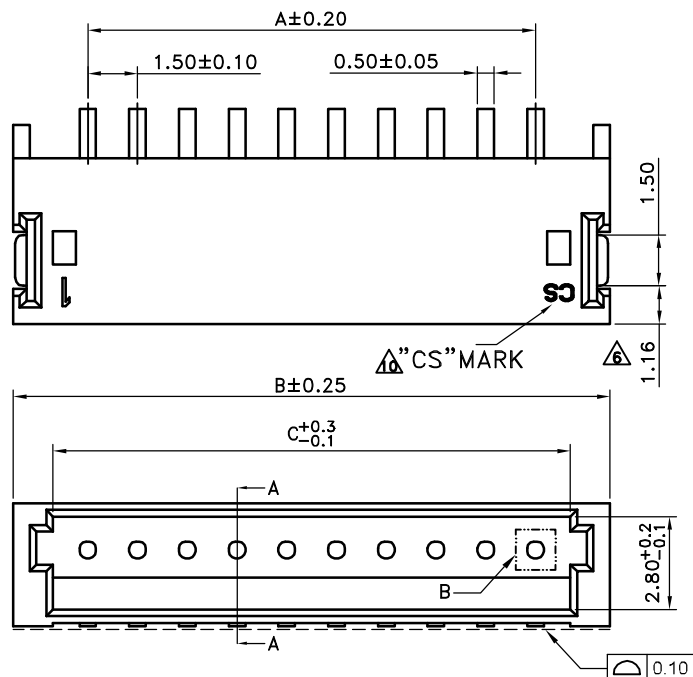
• Contact Material :

- Brass, Plated: Refer Above Options

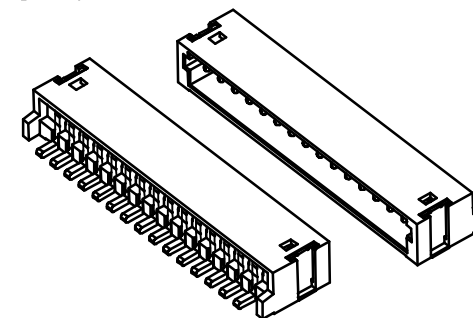
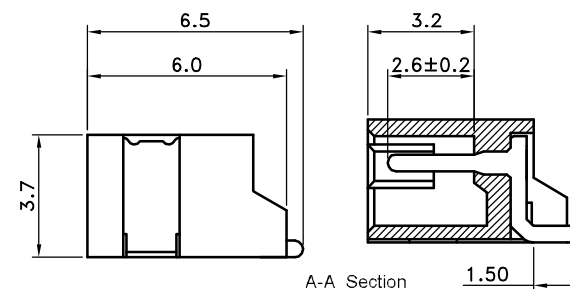
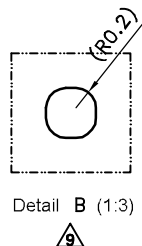
• Mating Housing : JS-1173-XX

• Mating Terminal : JS-1173-T

• Packing : Tape & Reel



$\Delta$  Assembly Layout (REF.)



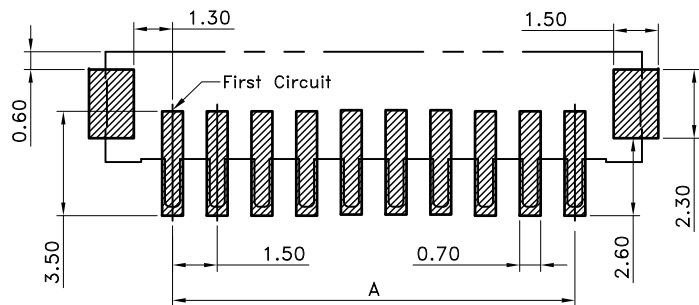
 喬訊電子工業股份有限公司  
CHYAO SHIUNN  
ELECTRONIC INDUSTRIAL LTD.

PART NO JS-1174H-XX(XXXX)XX

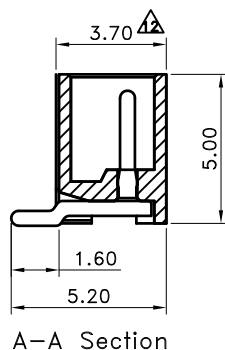
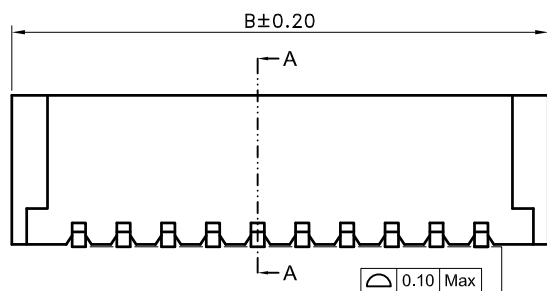
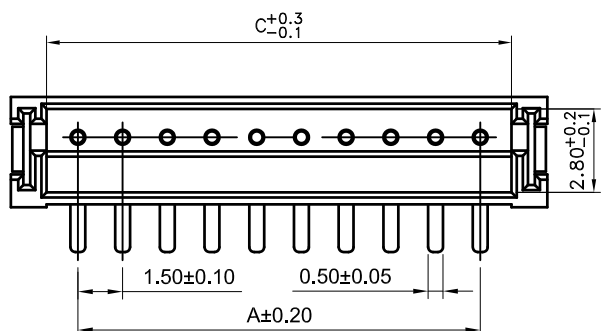
1.50mm SMT Series Wire to Board Connector Wafer

APPROVED BY	SCALE	UNIT	TOLERANCE	LTR	REVISION RECORD	NAME	DATE	LTR	REVISION RECORD	NAME	DATE	
Tom Shih		mm	.0 ±0.30	$\Delta$	ECR200407-004	邱森鴻	2004/07/14	$\Delta$	依業務需求, 新增無鹵HF料號	周家慶	2019/01/28	
CHECKED BY	PROJ	VER NO.	.00 ±0.20	$\Delta$	ECR200506-004	龔志紅	2005/06/07	$\Delta$	依業務需求, 新增PIN針圖示	劉娜	2019/10/18	
Erin Chou		a10	.000 ±0.10	$\Delta$	ECR200806-001	黃科源	2008/06/03	$\Delta$	增加CS MARK	Eddie	2022/09/21	
DRAWN BY	DATE	SIZE	ANGLE		ECR200903-007	黃科源	2009/03/13	CUSTOMER				
Eddie	2022/09/21	A4	0°	±1°	$\Delta$	圖面合併, 增加顏色選項	吳弘文					2012/08/20
			.0°	±	$\Delta$	增加接地片位置標示	吳弘文					2014/08/13
			SHEET	1/1	$\Delta$	增加Nylon 46 (PA)材質	周家慶					2017/12/13

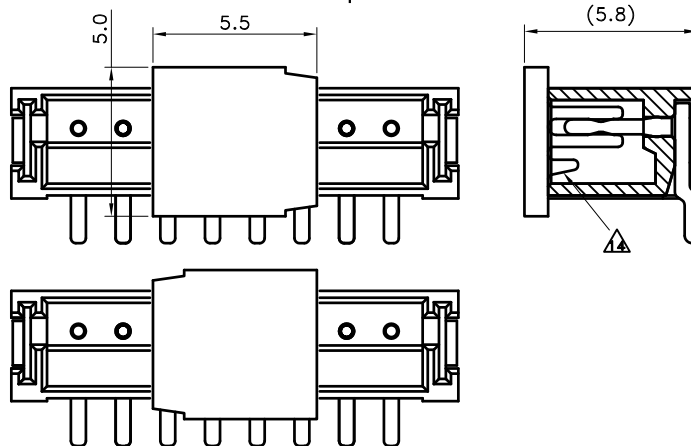
Conforms to The RoHS Instruction



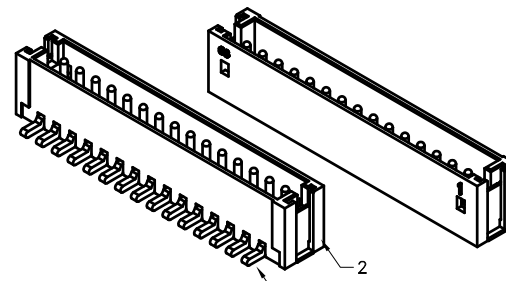
Recommended PCB Layout  
General tolerance ±0.05



A-A Section



Assembly Layout (REF.)



Cap Dimension:  $\Delta$

1/2 SPECIFICATIONS

- Voltage Rating : 50V AC/DC
- Current Rating : 1A AC/DC
- Withstanding Voltage : 500V AC/minute
- Insulation Resistance : 500M  $\Omega$  min
- Temperature Range : - 25 $^{\circ}$ C to + 85 $^{\circ}$ C
- Contact Resistance : 20m  $\Omega$  max

1/2 WAFER

- Part No. : JS-1174V-XX XX XX (XX)XX  
Code No. ① ② ③ ④ ⑤

① Poles No. : 2 ~ 15 (Straight)

② CAP: Blank : With Cap

NC : Non Cap  $\Delta$

③ Blank : Nylon 9T UL94V-0  $\Delta$

HF: Nylon 6T/66 UL94V-0 (Color : Black, Halogen Free)

HF1: Nylon 6T UL94V-0 (Color : Natural, Halogen Free)

LC: LCP UL94V-0 (Color : Natural)  $\Delta$

④ Contact Plated :  $\Delta$

Blank : Tin Plated

NM : Matte -Tin

G : Gold Plated

⑤ Base Color :  $\Delta$

Blank : Natural

RD : Red

GR : Green

BU : Blue

BK : Black  $\Delta$

• Material :

1. Contact : Brass, Plated: Refer Above Options

2. Base: Refer the above narrative

3. Cap: Heatproof Resin UL94V-0  $\Delta$

• Mating Housing : JS-1173-XX

• Mating Terminal : JS-1173-T

• Packing : Tape & Reel

Poles	Dimensions (mm)			Poles	Dimensions (mm)		
	A	B	C		A	B	C
2	1.50	6.00	3.60	9	12.00	16.50	14.10
3	3.00	7.50	5.10	10	13.50	18.00	15.60
4	4.50	9.00	6.60	11	15.00	19.50	17.10
5	6.00	10.50	8.10	12	16.50	21.00	18.60
6	7.50	12.00	9.60	13	18.00	22.50	20.10
7	9.00	13.50	11.10	14	19.50	24.00	21.60
8	10.50	15.00	12.60	15	21.00	25.50	23.10

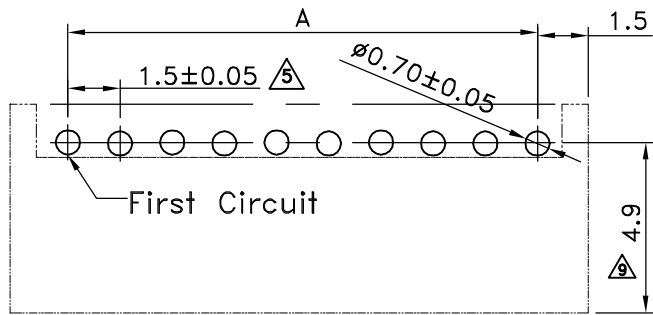


喬訊電子工業股份有限公司  
CHYAO SHIUNN  
ELECTRONIC INDUSTRIAL LTD.

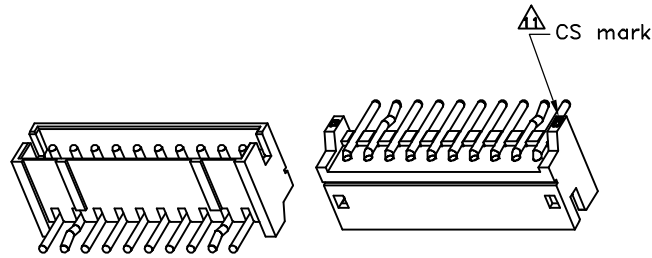
PART NO JS-1174V-XX

1.50mm SMT Series Wire to Board Connector Wafer

APPROVED BY	SCALE	UNIT	TOLERANCE	LTR	REVISION RECORD	NAME	DATE	LTR	REVISION RECORD	NAME	DATE
張育瑞	1:1	mm	.0	$\pm 0.30$	$\Delta$	黃科源	2009/03/13	$\Delta$	增加無鹵素原色選項	Eddie	2019/09/25
CHECKED BY	PROJ	VER NO.	.00	$\pm 0.20$	$\Delta$	林文泰	2009/12/17	$\Delta$	修改蓋子形狀	劉娜	2021/12/14
劉娜	$\oplus$	a15	.000	$\pm 0.10$	$\Delta$	吳弘文	2012/08/20	$\Delta$	合併圖面, 增加顏色選項	謝君	2023/11/08
DRAWN BY	DATE	SIZE	ANGLE		$\Delta$	王睿	2015/05/18	CUSTOMER			
謝君	2023/11/08	A4	0 $^{\circ}$	$\pm 1^{\circ}$	$\Delta$	曾慶根	2017/04/13				
			.0 $^{\circ}$	$\pm$	$\Delta$	劉娜	2017/11/03				
			SHEET	1/1	$\Delta$	依CAP實物修正圖面及新增尺寸管控		劉娜	2019/03/27	Conforms to The RoHS Instruction	



Recommended PCB Layout(Top View)



■ SPECIFICATIONS

- Voltage Rating : 50V AC/DC
- Current Rating : 1A AC/DC
- Withstanding Voltage : 500V AC/minute
- Insulation Resistance : 500M Ω min
- Temperature Range : - 25℃ to + 85℃
- Contact Resistance : 20m Ω max

■ WAFER

- Part No. : JS-1174R-XX(XXX X XX)

Code No.

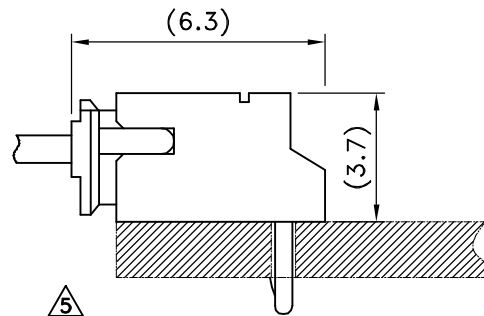
- ① Poles : 2~13(Right Angle)
- ② Base Material :
  - △ Blank : Nylon 66 UL94V-0 Color : Nature
  - PAN : PA46 UL94V-0 Color : Nature
  - NH : Nylon 66 UL94V-0 (Non - Halogen) Color : Beige

- ③ Contact Plated:
  - Blank : Tin Plated
  - M : Tin Plated(Matte Sn)

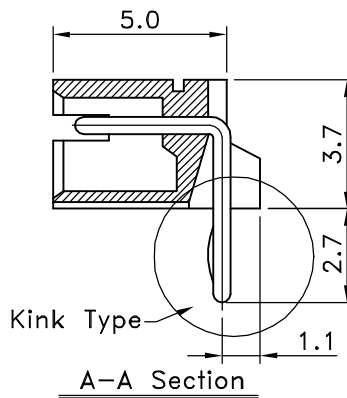
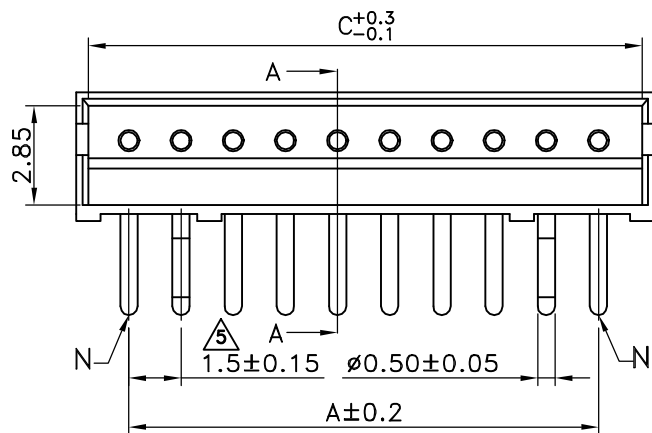
- ④ Kink Type:
  - Blank : Kink (Standard)
  - NK : Without Kink

- Material : Contact : Brass, Plated : Refer the above options
- Base : Refer the above options

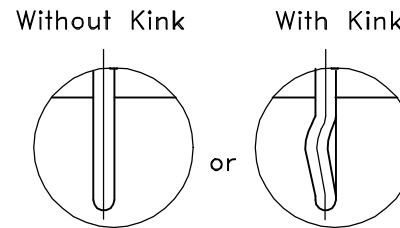
- Packing : Bag



RECOMMENDED ASSEMBLY DIM.



A-A Section



Structure Reference

Poles	Dimensions(mm)		
	A	B	C
2	1.50	4.50	3.60
3	3.00	6.00	5.10
4	4.50	7.50	6.60
5	6.00	9.00	8.10
6	7.50	10.50	9.60
7	9.00	12.00	11.10
8	10.50	13.50	12.60
9	12.00	15.00	14.10
10	13.50	16.50	15.60
11	15.00	18.00	17.10
12	16.50	19.50	18.60
13	18.00	21.00	20.10

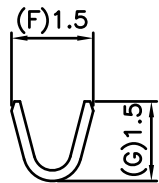
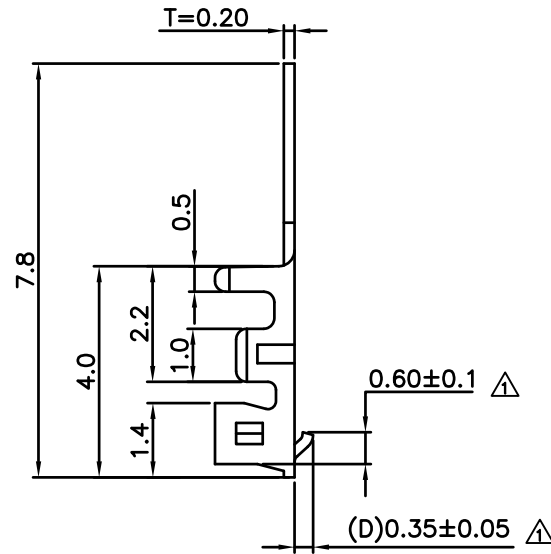
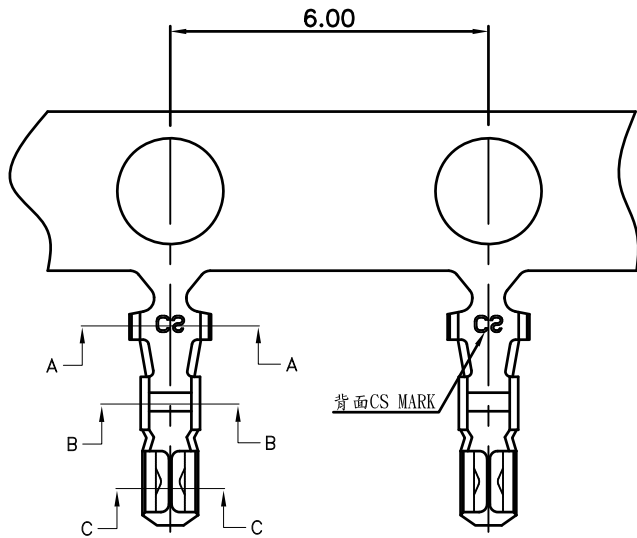
Circuit	Kink					
	1	2	3	4	5	6~13
2	KinK	KinK	—	—	—	—
3	KinK	—	KinK	—	—	—
4	KinK	—	—	KinK	—	—
5	—	KinK	—	KinK	—	—
6~13	N	KinK	—	—	KinK	N


 喬訊電子工業股份有限公司  
 CHYAO SHIUNN  
 ELECTRONIC INDUSTRIAL LTD.

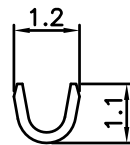
APPROVED BY	SCALE	UNIT	TOLERANCE	LTR	REVISION RECORD	NAME	DATE	LTR	REVISION RECORD	NAME	DATE
Tom Shih		mm	.0 ±0.30	△	ECR 200506-005	龔志紅	2005/06/08	△	更正 PCB Layout 位置尺寸	吳弘文	2016/03/09
CHECKED BY	PROJ	VER NO.	.00 ±0.20	△	ECR 200803-008	黃科源	2008/03/07	△	更正 KinK 位子說明	Eddie	2020/03/23
Erin Chou	⊕ □	a11	.000 ±0.10	△	ECR 200809-015	黃科源	2008/09/25	△	增加 CS MARK	Eddie	2020/03/23
DRAWN BY	DATE	SIZE	ANGLE	△	按原圖之尺寸及公差修改	陳泓璋	2010/08/10	△	合併圖面, 增加 Kink, 鍍層選項	吳弘文	2012/07/16
Eddie	2022/09/21	A4	0° ±1°	△	取消鍍金選項	周慈雲	2012/08/01	△	取消鍍金選項	周慈雲	2012/08/01
			.0° ±	△	取消鍍金選項	吳弘文	2013/07/18	△	加註標準材質 Blank : Nylon 66 UL94V-0	吳弘文	2013/07/18
SHEET			1/1	△							

PART NO JS-1174R-XX  
 1.50mm Crimp Style Connectors Wafer Right Angle Type

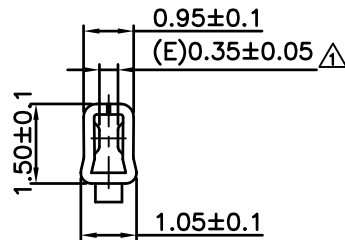
CUSTOMER  
 Conforms to The RoHS Instruction



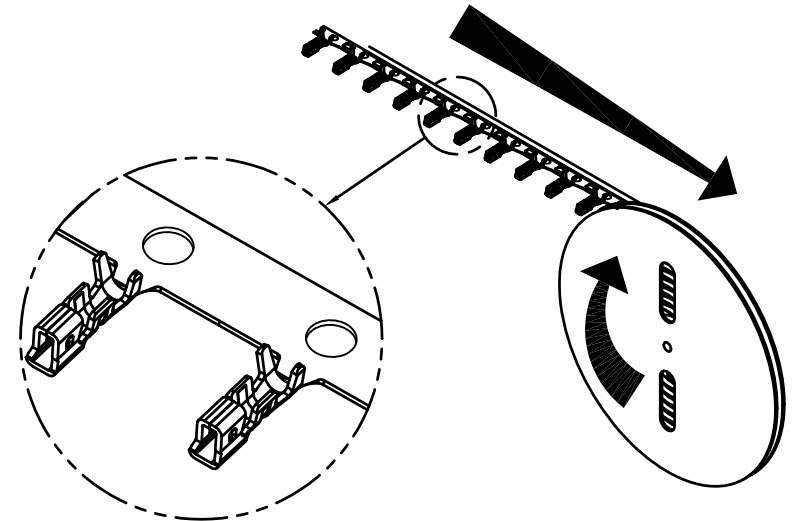
A-A SEC



B-B SEC



C-C SEC



產品收料圖

**SPECIFICATIONS**

- Current Rating : 1A AC/DC
- Withstanding Voltage : 500V AC/minute
- Insulation Resistance : 500MΩ min
- Temperature Range : - 25°C to + 85°C
- Contact Resistance : 20mΩ max

**TERMINAL**

- Part No. : JS-1173-TXX

- ① Blank: Ni>10u", Sn>50u"  
(Stamping Befor Plated) ⚠
- 2: Ni>30u", Sn>100u"  
(Standard Plated Process) ⚠
- Applicable Wires : AWG#28~32
- Material : Phos.Bronze
- Thickness : 0.2mm
- Q' ty : 10,000pcs./Reel



喬訊電子工業股份有限公司  
CHYAO SHIUNN  
ELECTRONIC INDUSTRIAL LTD.

PART NO JS-1173-TXX  
1.50mm Crimp Style Connectors TER

APPROVED BY	SCALE	UNIT	TOLERANCE	LTR	REVISION RECORD	NAME	DATE	LTR	REVISION RECORD	NAME	DATE
張育瑞	1:1	mm	.0 ±0.30	⚠	按上海圖面修改內部圖面公差	吳小平	2016/05/16	⚠			
CHECKED BY	PROJ	VER NO.	.00 ±0.25	⚠	電鍍選項添加說明	謝君	2021/12/22	⚠			
劉娜	⊕	a2	.000 ±0.10	⚠				⚠			
DRAWN BY	DATE	SIZE	ANGLE						CUSTOMER		
謝君	2021/12/22	A4	0° ±1°	⚠					Conforms to The RoHS Instruction		
			.0° ±	⚠							
			SHEET	1/1	⚠						