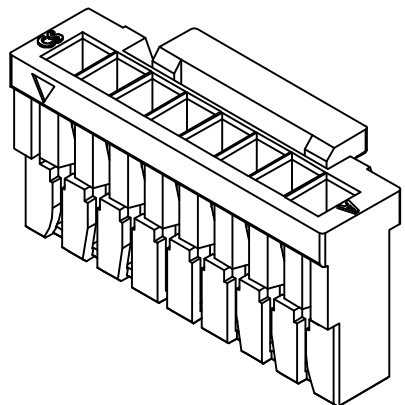
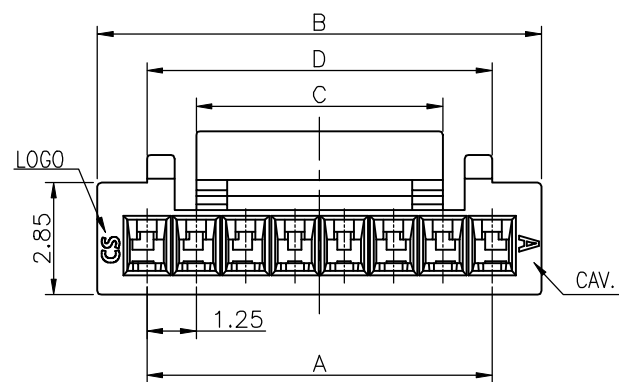
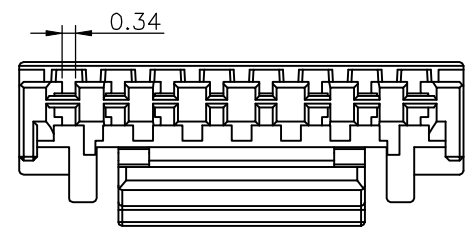
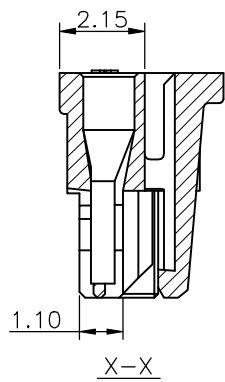
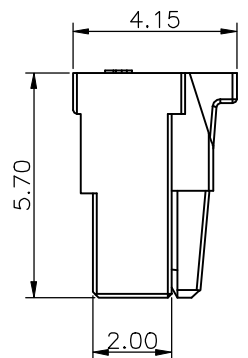
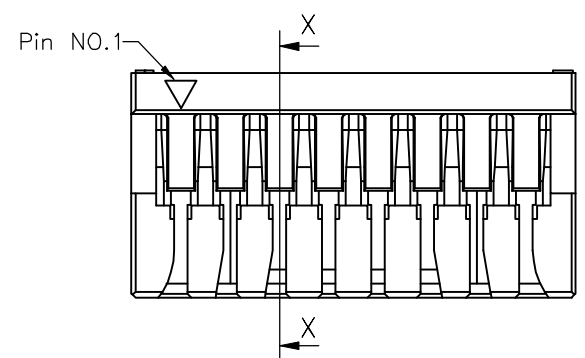


A4

REV.	ECN NO.	REVISIONS	REV.DRAWN	DATE
A		初版发行	sunquan	2012/07/13
B		修改尺寸列表	sunquan	2012/12/27



- NOTES:
- MATERIAL:  
Base: PBT Glass Filled, UL94V-0
  - PART NO.  
JS-1288S-XX-XXXX  
Poles: 02~15  
Blank: PBT  
Blank: Nature BK: Black
  - MATING WITH: JS-1289S/SR-XX
  - HALOGEN FREE PRODUCT IDENTIFICATION LOGO ON THE PACKING
  - PACKING : 1000pcs/Bag



Poles	A	B	C	D
02	1.25	3.75	2.35	-
03	2.50	5.00	3.20	
04	3.75	6.25	4.25	
05	5.00	7.50	6.25	8.75
06	6.25	8.75		
07	7.50	10.00	8.20	10.70
08	8.75	11.25		
09	10.00	12.50		
10	11.25	13.75	17.50	17.50
11	12.50	15.00		
12	13.75	16.25	18.75	18.75
13	15.00	17.50		
14	16.25	18.75	20.00	20.00
15	17.50	20.00		

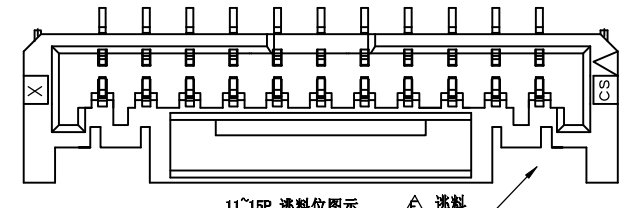
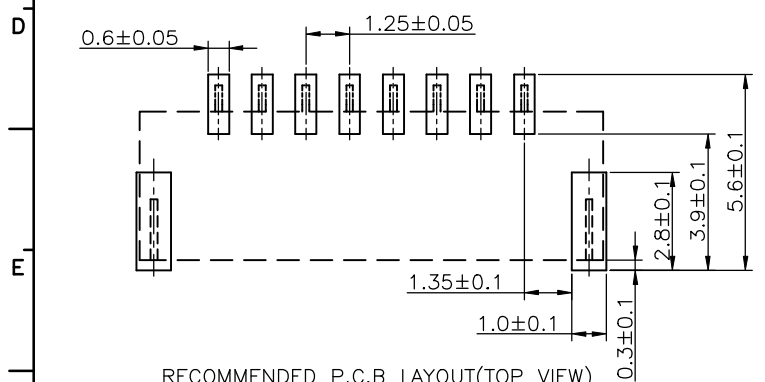
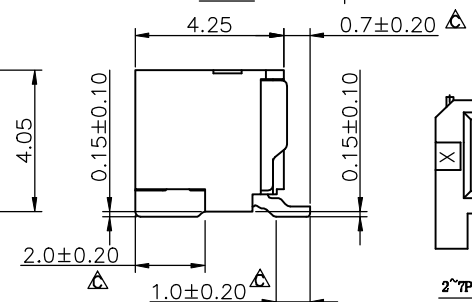
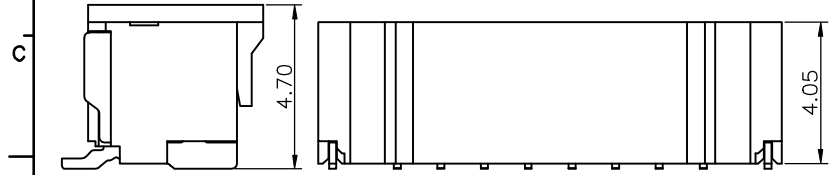
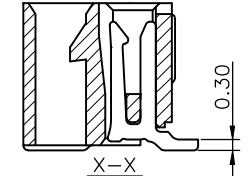
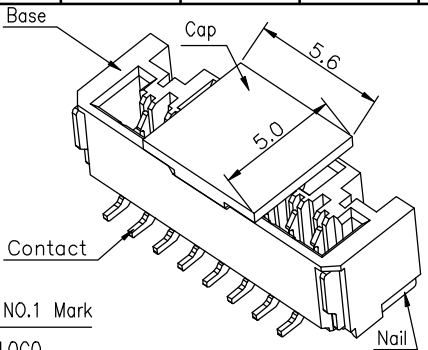
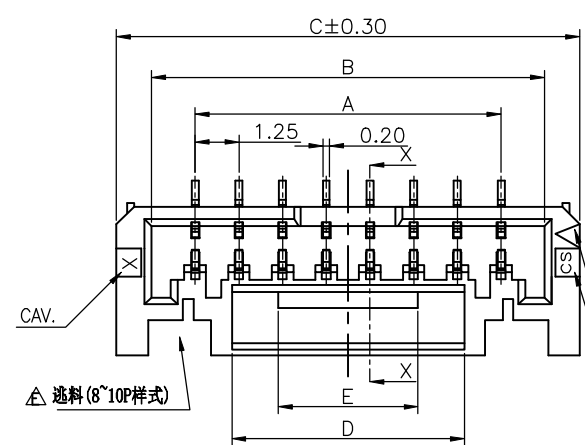
X. ± 0.40	X.* ± 5.0'	UNITS: mm	NAME(INTENDED USE):	
.X ± 0.30	.X* ± 2.0'	MATERIAL:	CUSTOMER	
.XX ± 0.20	.XX* ± 1.0'	SEE NOTE	PART NO.(INTENDED USE):	TITLE:
.XXX ± 0.10	.XXX* ± ---	FINISH:	1.25mm JS-1288S-XX	Pitch/Disconnectable Crimp Style Conn.
THESE DRAWINGS AND SPECIFICATIONS ARE THE PROPERTY OF CHYAO SHUINN ELECTRONIC CO., LTD. AND SHALL NOT BE REPRODUCED, COPIED OR USED IN ANY MANNER WITHOUT THE PRIOR WRITTEN CONSENT OF CHYAO SHUINN ELECTRONIC CO., LTD.		SEE NOTE	APPD:	DWG NO.:
		Q'TY:	CHKD:	020-0144-1288S-XX
		SEE NOTE	DR: sunquan 2012/07/13	SCALE SHEET REV.
				5:1 1/1 /

符合环境管理物质



A4

REV.	ECN NO.	REVISIONS	REV.DRAWN	DATE
B		增加倒角	sunquan	2012/08/06
C		增加公差	sunquan	2012/10/15
D		更正2P E尺寸	sunquan	2012/10/23
E		增加逃料图示	sunquan	2015/09/02
F		新增电镀规格	zhangqiang	2020/03/19



- NOTES:
- MATERIAL:  
Base: Nylon Glass Filled, UL94V-0  
Contact: Copper Alloy, Tin Plated  
Nail: Copper Alloy, Tin Plated
  - PART NO.  
JS-1289S-XXXX-XXXX-XX  
Poles: 02~15  
Blank T2:SN>100μ" NI>30μ"  
G1:AU>3μ" NI>30μ"  
Blank: PA9T  
Blank: Normal  
NH: Halogen Free  
Blank: Nature  
BK: Black
  - MATING WITH: JS-1288S-XX
  - HALOGEN FREE PRODUCT IDENTIFICATION LOGO ON THE PACKING
  - PACKING : 1500pcs/reel

Poles	A	B	C	D	E
02	1.25	3.75	5.75	2.10	0.75
03	2.50	5.00	7.00	3.40	1.30
04	3.75	6.25	8.25		
05	5.00	7.50	9.50	4.65	2.10
06	6.25	8.75	10.75		
07	7.50	10.00	12.00		
08	8.75	11.25	13.25	6.65	4.00
09	10.00	12.50	14.50		
10	11.25	13.75	15.75		
11	12.50	15.00	17.00		
12	13.75	16.25	18.25	8.60	6.00
13	15.00	17.50	19.50		
14	16.25	18.75	20.75		
15	17.50	20.00	22.00		

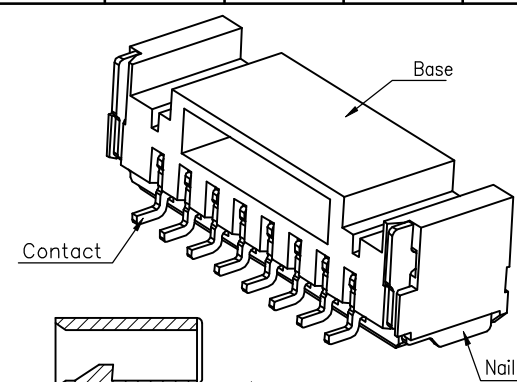
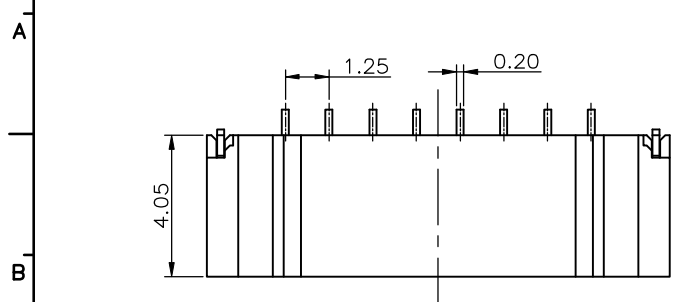
X. ± 0.40	X.* ± 5.0'	UNITS: mm	NAME(INTENDED USE):	CHYAO SHIUNN ELECTRONIC (SHANGHAI) CO.,LTD.
.X ± 0.30	.X* ± 2.0'	MATERIAL:	CUSTOMER	
.XX ± 0.20	.XX* ± 1.0'	SEE NOTE	PART NO.(INTENDED USE):	TITLE:
.XXX ± 0.10	.XXX* ± ---	FINISH:	JS-1289S-XX	
THESE DRAWINGS AND SPECIFICATIONS ARE THE PROPERTY OF CHYAO SHIUNN ELECTRONIC CO., LTD. AND SHALL NOT BE REPRODUCED, COPIED OR USED IN ANY MANNER WITHOUT THE PRIOR WRITTEN CONSENT OF CHYAO SHIUNN ELECTRONIC CO., LTD.		SEE NOTE	APPD:	DWG NO.:
	Q'TY:	SEE NOTE	CHKD:	020-0144-1289S-XX
			DR: sunquan 2012/06/15	SCALE SHEET REV.
				5:1 1/1 /

符合环境管理物质

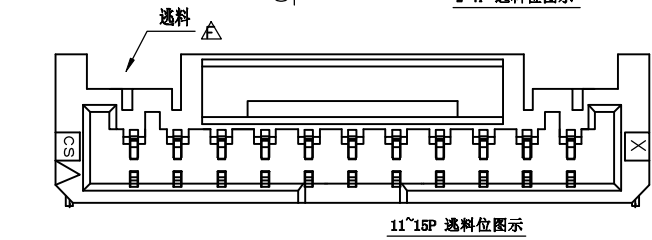
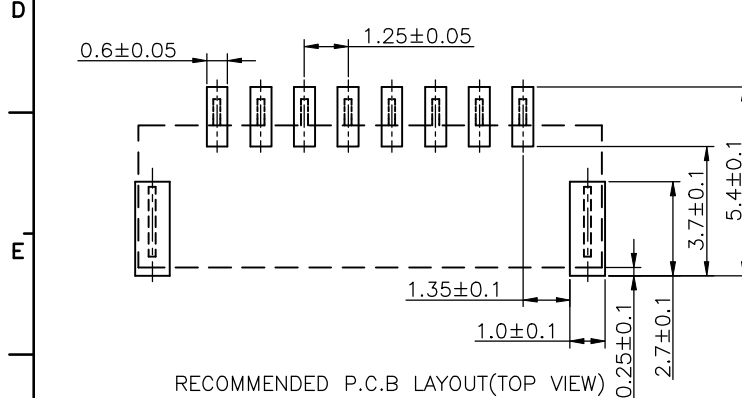
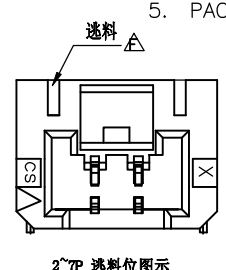
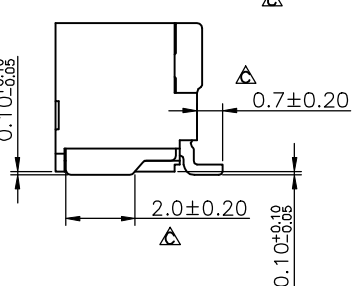
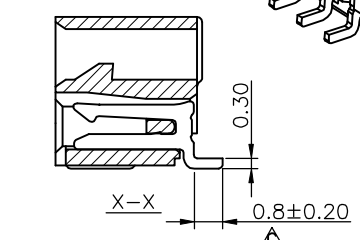
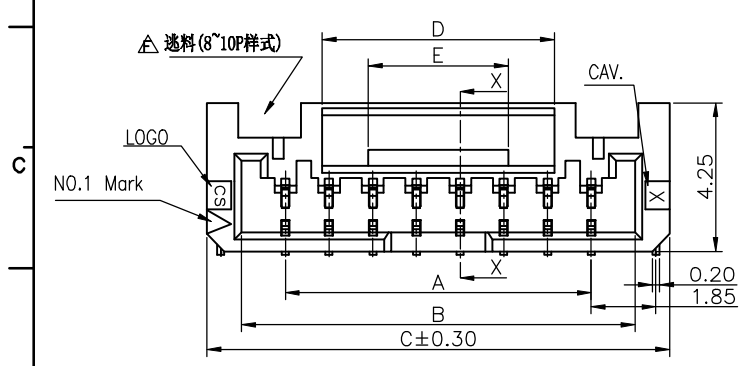


A4

REV.	ECN NO.	REVISIONS	REV.DRAWN	DATE
C		增加公差	sunquan	2012/10/15
D		更正2P B尺寸	sunquan	2012/10/23
E		增加雾锡规格	zuochoao	2013/05/13
F		增加逃料图示	sunquan	2015/09/02
G		修改逃料口	zhangqiang	2019/09/20



- NOTES:
- MATERIAL:
    - Base: Nylon Glass Filled, UL94V-0
    - Contact: Copper Alloy, Tin Plated/MATTE SN
    - Nail: Copper Alloy, Tin Plated/MATTE SN
  - PART NO.
    - JS-1289SR-XXXX-XXXX-XX
    - Poles: 02~15
    - Blank: Normal
    - Blank: Tin PLATED
    - M: MATTE SN
    - Blank: PA9T
    - NH: Halogen Free
    - Blank: Nature
    - BK: Black
  - MATING WITH: JS-1288S-XX
  - HALOGEN FREE PRODUCT IDENTIFICATION LOGO ON THE PACKING
  - PACKING : 1500pcs/reel



Poles	A	B	C	D	E
02	1.25	3.75	5.75	2.10	0.75
03	2.50	5.00	7.00	3.40	1.30
04	3.75	6.25	8.25		
05	5.00	7.50	9.50	4.65	2.10
06	6.25	8.75	10.75		
07	7.50	10.00	12.00	6.65	4.00
08	8.75	11.25	13.25		
09	10.00	12.50	14.50		
10	11.25	13.75	15.75	8.60	6.00
11	12.50	15.00	17.00		
12	13.75	16.25	18.25		
13	15.00	17.50	19.50		
14	16.25	18.75	20.75		
15	17.50	20.00	22.00		

X. ± 0.40	X.* ± 5.0'	UNITS: mm	NAME(INTENDED USE):	
.X ± 0.30	.X* ± 2.0'	MATERIAL:	CUSTOMER	
.XX ± 0.20	.XX* ± 1.0'	SEE NOTE	PART NO.(INTENDED USE):	TITLE:
.XXX ± 0.10	.XXX* ± ---	FINISH:	JS-1289SR-XX	PH1.25mm WTB CONNECTOR
<small>THESE DRAWINGS AND SPECIFICATIONS ARE THE PROPERTY OF CHYAO SHIUNN ELECTRONIC CO., LTD. AND SHALL NOT BE REPRODUCED, COPIED OR USED IN ANY MANNER WITHOUT THE PRIOR WRITTEN CONSENT OF CHYAO SHIUNN ELECTRONIC CO., LTD.</small>			APPD:	DWG NO.:
Q'TY:			CHKD:	020-0144-1289SR-XX
SEE NOTE			DR:	SCALE SHEET REV.
			sunquan 2012/06/15	5:1 1/1 /

符合环境管理物质



REV	ECN.NO.	REVISIONS	REV.DRAWN	DATE
C		更改包线角尺寸公差	YU	07-09/13
D	10071	修改卡点尺寸以及公差	Asimo	2010/09/01
E	----	更正电镀规格	sunquan	2011/05/10
F	----	修正耐电压、绝缘阻抗规格值	sunquan	2011/10/12

**SPECIFICATIONS**

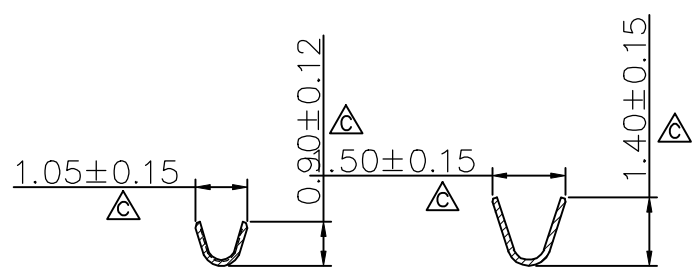
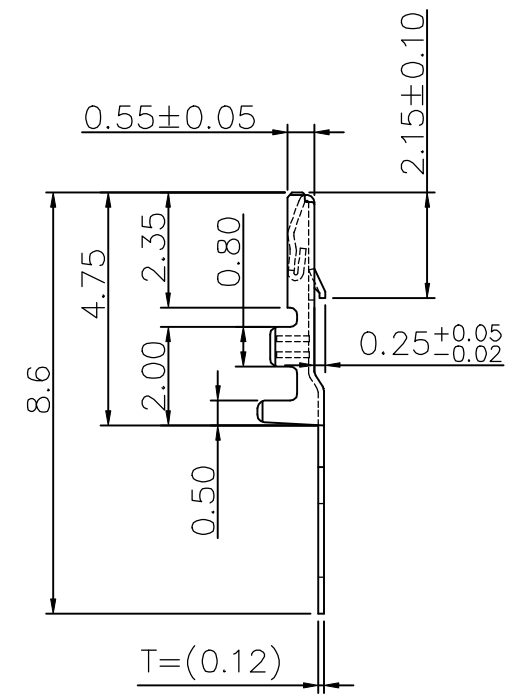
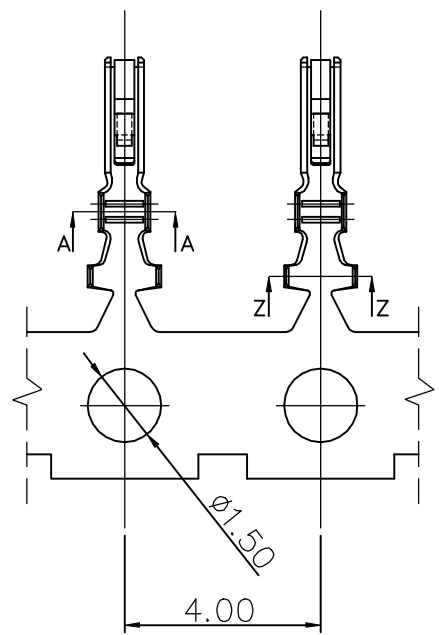
- . Voltage Rating : 50V AC/DC
- . Current Rating : 1A AC/DC
- . Withstanding Voltage : 500V AC/minute
- . Insulation Resistance : 100MΩ min
- . Temperature Range : -25°C to +85°C
- . Contact Resistance : 20mΩ max

**TERMINAL**

. Part No. : JS-1288-TXX

- Tin Plated: P or 2: Sn>100μ" Ni>30μ"
- Gold Plated: G0: Au>0.8μ" Ni>30μ"
- G1: Au>3μ" Ni>30μ"
- G2: Au>5μ" Ni>50μ"
- G3: Au>8μ" Ni>50μ"
- G4: Au>15μ" Ni>50μ"

- . Applicable Wires : AWG# 28-32
- . Material : Phos. Bronze
- . Finish : Tin/Gold Plated
- . Thickness : 0.12mm
- . Q'ty : 15,000 pcs/Reel



SECTION: A-A

SECTION: Z-Z

X.± 0.40	X°.± 5.0°	UNITS mm	NAME(INTENDED USE) <b>CUSTOMER</b>	CHYAO SHUINN ELECTRONIC (SHANGHAI) CO.,LTD.
.X± 0.30	.X°.± 2.0°			
.XX± 0.20	.XX°.± 1.0°	FINISH	PART NO.(INTENDED USE) JS-1288-TXX	TITLE: SHLD CONNECTOR TERMINAL
.XXX± 0.10	.XXX°.± ---		Q'TY	APPD: liuzhiwen 2011/10/12
THESE DRAWINGS AND SPECIFICATIONS ARE THE PROPERTY OF CHYAO SHUINN ELECTRONIC CO., LTD. AND SHALL NOT BE REPRODUCED, COPIED OR USED IN ANY MANNER WITHOUT THE PRIOR WRITTEN CONSENT OF CHYAO SHUINN ELECTRONIC CO., LTD.				CHKD:
			DR: Asimo 2010/09/01	



符合环境管理物质