

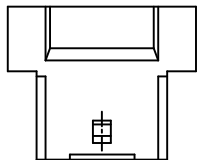
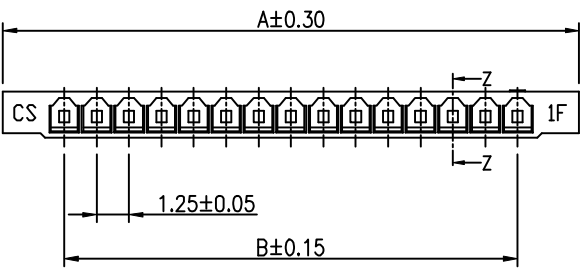
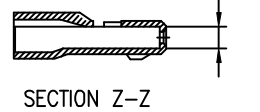
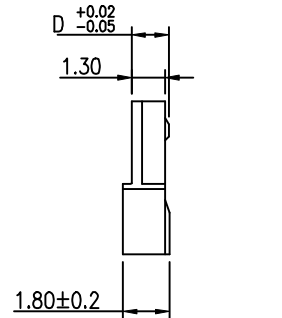
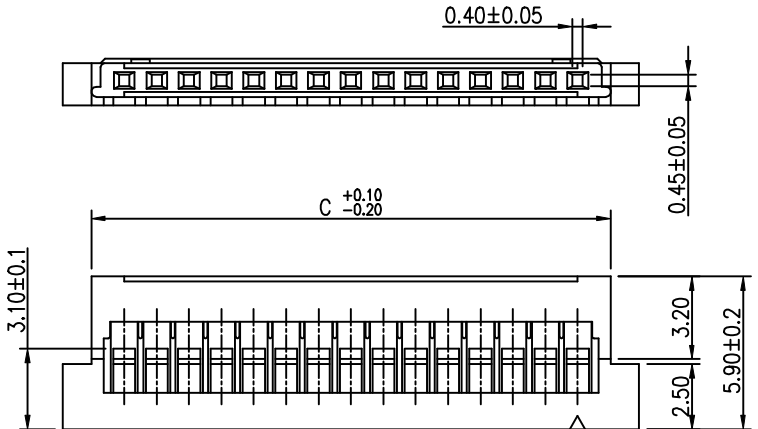
A4

REV.	ECN.NO	REVISIONS	REV.DRAWN	DATE
J	----	新增05SP产品	sunquan	2009/09/29
K	----	新增D0 (PA66) 材质	sunquan	2010/02/04
L	----	整理图面	YangSong	2015/12/18

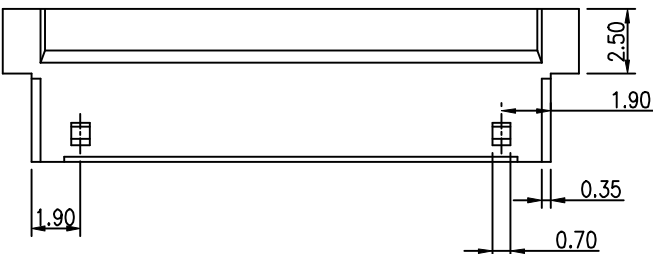
SPECIFICATION
 . Voltage Rating : 200V AC/DC
 . Current Rating : 1A AC/DC
 . Withstanding Voltage : 500V AC/Minute
 . Insulation Resistance : 100MΩ Min.
 . Temperature Range : -40°C~+85°C
 . Contact Resistance : 40mΩ Max.

NOTES:
 1. Material: Thermoplastic, UL94V-0
 2. Q'ty : 2,000 Pcs/Bag
 3. Part No.
 JS-1285-XX-XXXX-XX
 Blank: Normal
 NH: Halogen Free
 Blank: Black
 W: White
 Blank: PBT(2~19PIN)
 PA66(20~30PIN)
 D0: PA66(NH)
 Poles: 2~30P

Poles	Dimensions(mm)				Poles	Dimensions(mm)			
	A	B	C	D		A	B	C	D
02	6.00	1.25	3.80	1.50	17	24.75	20.00	22.55	1.45
03	7.25	2.50	5.05	1.50	18	26.00	21.25	23.80	1.45
04	8.50	3.75	6.30	1.45	19	27.25	22.50	25.05	1.45
05	9.75	5.00	7.55	1.45	20	28.50	23.75	26.30	1.45
06	11.00	6.25	8.80	1.45	21	29.75	25.00	27.55	1.45
07	12.25	7.50	10.05	1.45	22	31.00	26.25	28.80	1.45
08	13.50	8.75	11.30	1.45	23	32.25	27.50	30.05	1.45
09	14.75	10.00	12.55	1.45	24	33.50	28.75	31.30	1.45
10	16.00	11.25	13.80	1.45	25	34.75	30.00	32.55	1.45
11	17.25	12.50	15.05	1.45	26	36.00	31.25	33.80	1.45
12	18.50	13.75	16.30	1.45	27	37.25	32.50	35.05	1.45
13	19.75	15.00	17.55	1.45	28	38.50	33.75	36.30	1.45
14	21.00	16.25	18.80	1.45	29	39.75	35.00	37.55	1.45
15	22.25	17.50	20.05	1.45	30	41.00	36.25	38.80	1.45
16	23.50	18.75	21.30	1.45					



2~3 Pin视图(单凸点)



4~30 Pin视图(双凸点)

X.	±0.40	X.*	±5°	UNITS	MM
.X	±0.30	.X*	±2.0°	MAT'S	
.XX	±0.20	.XX*	±1.0°	SEE NOTE	
.XXX	±0.10	---	---	FINISH	
THESE DRAWINGS AND SPECIFICATIONS ARE THE PROPERTY OF CHYAO SHUINN ELECTRONIC CO.,LTD. AND SHALL NOT BE REPRODUCED, COPIED OR USED IN ANY MANNER WITHOUT THE PRIOR WRITTEN CONSENT OF CHYAO SHUINN ELECTRONIC CO.,LTD.					
Q'TY	----				

NAME(INTENDED USE)	乔讯电子(上海)有限公司 CHYAO SHUINN ELECTRONICS(SHANGHAI)CO.,LTD.
CUSTOMER	
PART NO.(INTENDED USE)	TITLE:
JS-1285-XX	1.25mm Crimp Style Connectors
APPV'D	DWG NO.
CHK'D	020-0063-1285-XX
DR': sunquan 2009/09/29	SCALE SHEET REV
	3 : 1 1/1 L

符合环境管理物质

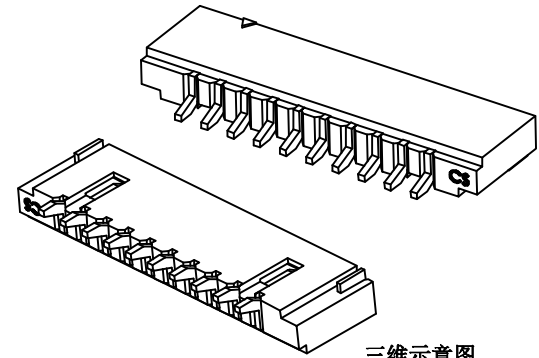


A4

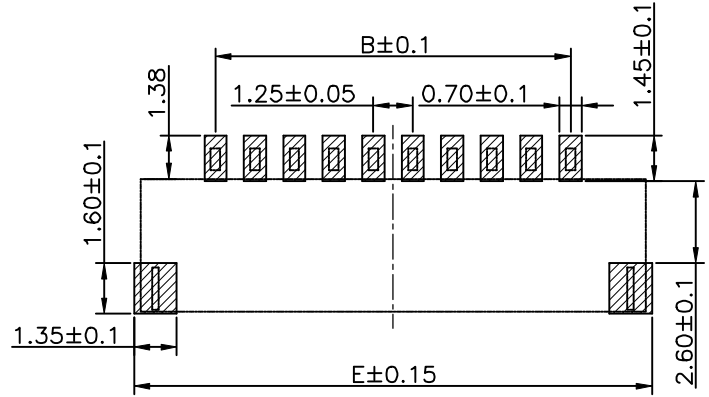
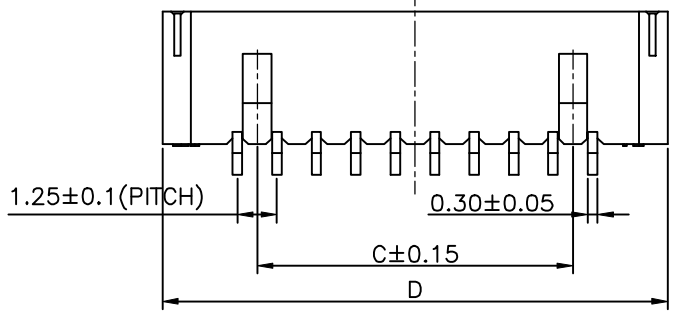
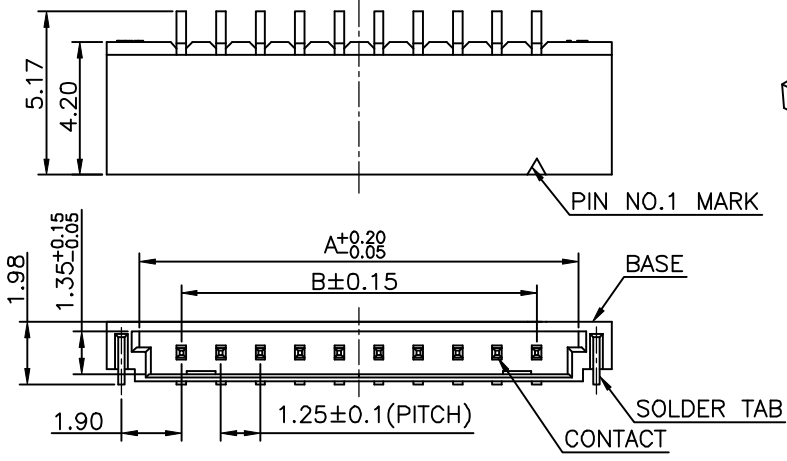
REV.	ECN NO.	REVISIONS	REV.DRAWN	DATE
K1	09034	修正图纸版面	Xu	2009/04/02
L	----	试作版变更为正式版发行	Xu	2009/05/25
M	----	增加3D示意图	YangSong	2018/06/25

NOTES:
 1.BASE:HEAT RESISTANT RESIN,UL94V-0
 2.CONTACT:COPPER ALLOY,T=0.3
 3.SOLDER TAB:COPPER ALLOY,T=0.2
 4.MATE WITH:JS-1285-XX SERIES
 5.PART NO.
 JS-1295-XXXX-XXXX-XX

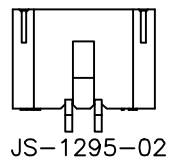
- BLANK:NORMAL
- NH:NON-HALOGEN
- BLANK:NATURE
- BK:BLACK
- BLANK:PA46
- L4:LCP(NH)
- BLANK:tin PLATED
- (M):MATTE Sn
- G0:GOLD PLATED
- POLES:2~30



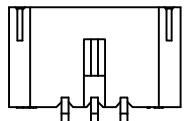
三维示意图



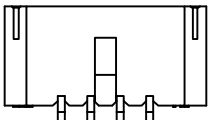
RECOMMENDED PCB LAYOUT



JS-1295-02



JS-1295-03



JS-1295-04SP

Poles	A	B	C	D	E	Poles	A	B	C	D	E
02	3.90	1.25	NA	6.00	6.40	16	21.40	18.75	17.50	23.50	23.90
03	5.15	2.50	NA	7.25	7.25	17	22.65	20.00	18.75	24.75	25.15
04SP	6.40	3.75	NA	8.50	8.90	18	23.90	21.25	20.00	26.00	26.40
04	6.40	3.75	NA	8.50	8.90	19	25.15	22.50	21.25	27.25	27.65
05	7.65	5.00	3.75	9.75	10.15	20	26.40	23.75	22.50	28.50	28.90
06	8.90	6.25	5.00	11.00	11.40	21	27.65	25.00	23.75	29.75	30.15
07	10.15	7.50	6.25	12.25	12.65	22	28.90	26.25	25.00	31.00	31.40
08	11.40	8.75	7.50	13.50	13.90	23	30.15	27.50	26.25	32.25	32.65
09	12.65	10.00	8.75	14.75	15.15	24	31.40	28.75	27.50	33.50	33.90
10	13.90	11.25	10.00	16.00	16.40	25	32.65	30.00	28.75	34.75	35.15
11	15.15	12.50	11.25	17.25	17.65	26	33.90	31.25	30.00	36.00	36.40
12	16.40	13.75	12.50	18.50	18.90	27	35.15	32.50	31.25	37.25	37.65
13	17.65	15.00	13.75	19.75	20.15	28	36.40	33.75	32.50	38.50	38.90
14	18.90	16.25	15.00	21.00	21.40	29	37.65	35.00	33.75	39.75	40.15
15	20.15	17.50	16.25	22.25	22.65	30	38.90	36.25	35.00	41.00	41.40

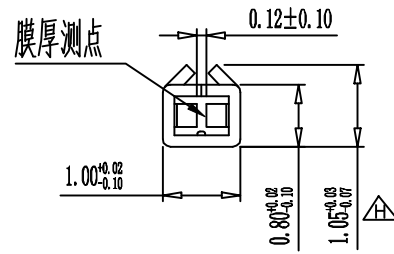
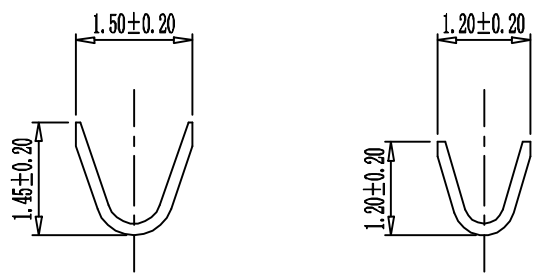
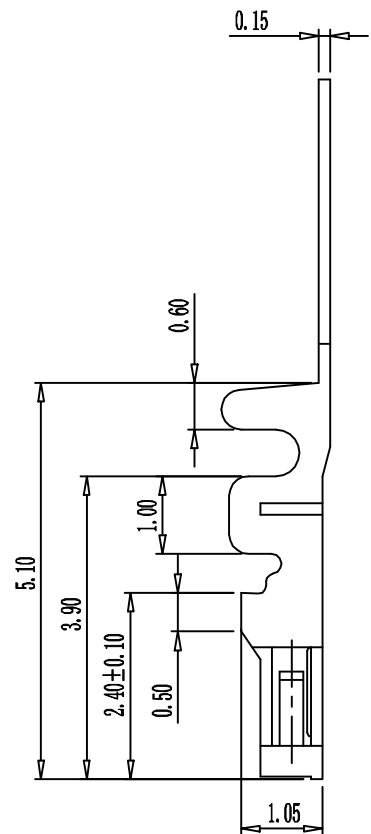
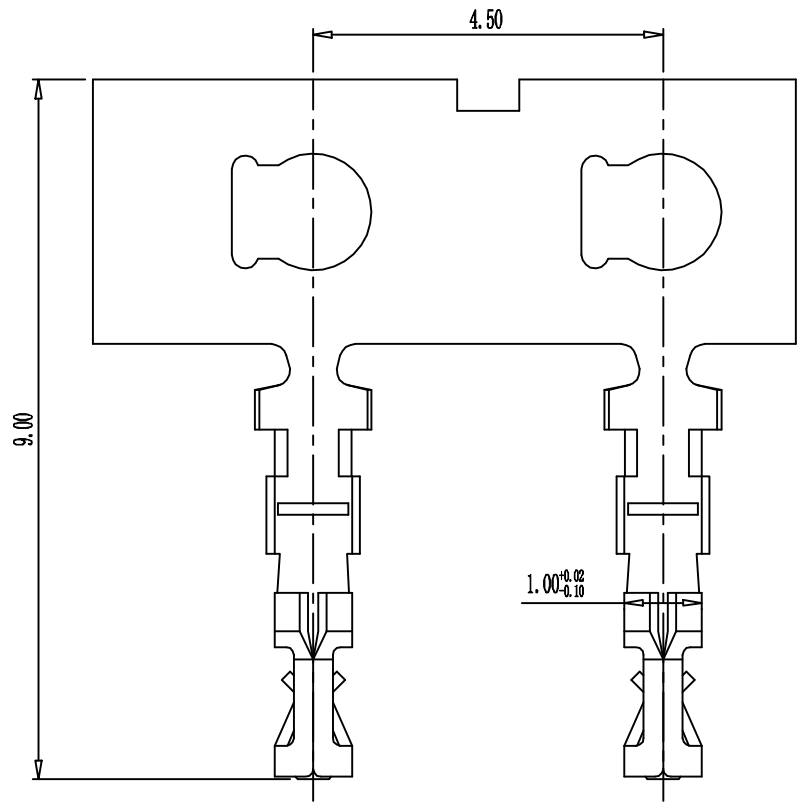
X. ± 0.40	X.* ± 5.0*	UNITS: mm	NAME(INTENDED USE):	
.X ± 0.30	.X* ± 2.0*	MATERIAL:	CUSTOMER	
.XX ± 0.20	.XX* ± 1.0*	SEE NOTE	PART NO.(INTENDED USE):	TITLE:
.XXX ± 0.10	.XXX* ± --*	FINISH:	JS-1295-XX	1.25mm Pitch Wire To Board CONNCTOR
THESE DRAWINGS AND SPECIFICATIONS ARE THE PROPERTY OF CHYAO SHUINN ELECTRONIC CO., LTD. AND SHALL NOT BE REPRODUCED, COPIED OR USED IN ANY MANNER WITHOUT THE PRIOR WRITTEN CONSENT OF CHYAO SHUINN ELECTRONIC CO., LTD.		SEE NOTE	APPD:	DWG NO.:
		Q'TY:	CHKD:	020-0064-1295-XX
		SEE NOTE	DR: He	2009/03/05
				SCALE SHEET REV.
				4:1 1/1 L

符合环境管理物质



A4

REV.	ECN.NO	REVISIONS	REV.DRAWN	DATE
G	----	增加膜厚测点, 换图框	hejihuai	2009/04/27
H	09077	1.05尺寸改公差	hejihuai	2009/05/11
I	----	增加T4电镀规格	Asimo	2009/09/01



SPECIFICATION

- . Voltage Rating : 200V AC/DC
- . Current Rating : 1A AC/DC
- . Withstanding Voltage : 500V AC/Minute
- . Insulation Resistance : 100MΩ Min.
- . Temperature Range : -40°C~+85°C
- . Contact Resistance : 40mΩ Max.

NOTES:

1. Material: Copper Alloy
2. Applicable Wires: AWG#28~32
3. Q'ty : 15,000 Pcs/Reel
4. Part No. JS-1285-TXX

Tin Plated

- 2: Sn>100μ" Ni>30μ"
- 3: Sn>150μ" Ni>50μ"
- 4: Sn> 50μ" Ni>10μ"

Gold Plated

- G0: Au>0.8μ" Ni>30μ"
- G1: Au>3μ" Ni>30μ"
- G2: Au>5μ" Ni>50μ"
- G3: Au>8μ" Ni>50μ"
- G4: Au>15μ" Ni>50μ"

X.	±0.50	X.*	±3'	UNITS	MM	NAME(INTENDED USE)							
.X	±0.30	.X*	±2'	MAT'S		CUSTOMER							
.XX	±0.15	.XX*	±1.0'		SEE NOTE	PART NO.(INTENDED USE)	TITLE:						
.XXX	±0.05	---	---	FINISH		JS-1285-TXX	Wire to board connectors						
THESE DRAWINGS AND SPECIFICATIONS ARE THE PROPERTY OF CHYAO SHUINN ELECTRONIC CO.,LTD.AND SHALL NOT BE REPRODUCED, COPIED OR USED IN ANY MANNER WITHOUT THE PRIOR WRITTEN CONSENT OF CHYAO SHUINN ELECTRONIC CO.,LTD.						APPV'D	DWG NO.						
						CHK'D XUWEI 2009/09/01	020-0052-1285-T						
						DR': ASIMO 2009/09/01	<table border="1"> <tr> <th>SCALE</th> <th>SHEET</th> <th>REV</th> </tr> <tr> <td>10:1</td> <td>1/1</td> <td>I</td> </tr> </table>	SCALE	SHEET	REV	10:1	1/1	I
SCALE	SHEET	REV											
10:1	1/1	I											

符合环境管理物质

