

■ SPECIFICATIONS

- Current Rating : 1A AC/DC
- Withstanding Voltage : 500V AC/minute
- Insulation Resistance : 100MΩ min.
- Temperature Range : - 25°C ~ + 85°C
- Contact Resistance : 20mΩ max.

■ HOUSING

- Part No. : JS-1250-XX (XX)-XX-NH

① ② ③

① Poles : 2-15

② Base Material :

Blank : PBT UL94V-0 Non Halogen


△ V0 : Nylon 66 UL94V-0 Non Halogen

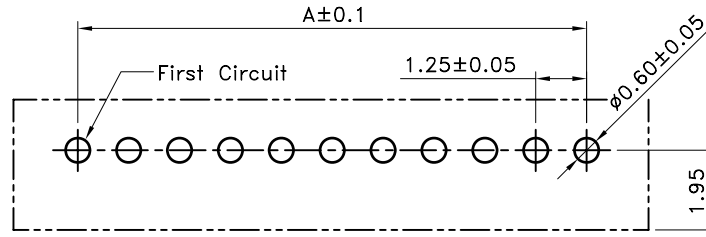
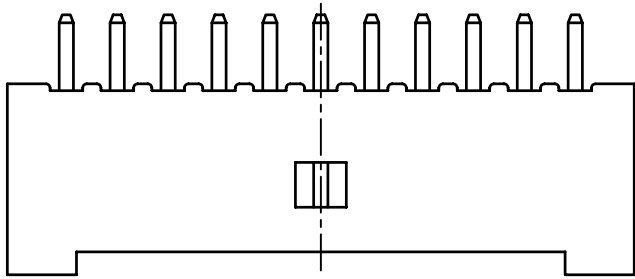
③ Color : Blank : Black

△ BN : Brown

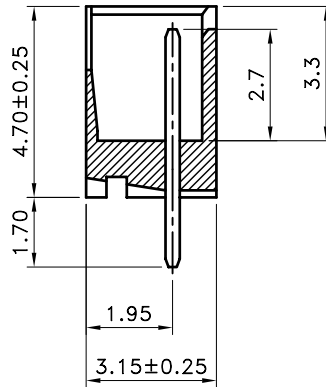
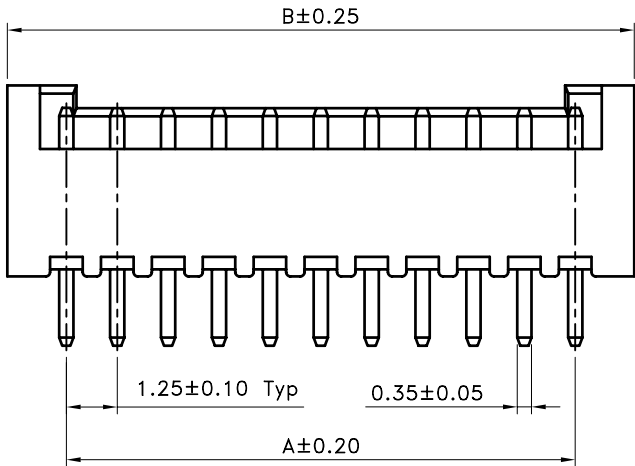
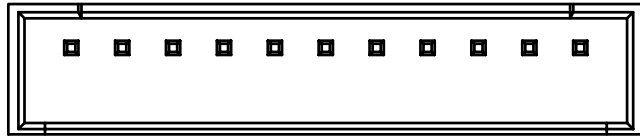
- Q' ty : 1,000 pcs./Bag

Poles	Dimension(mm)			Poles	Dimension(mm)		
	A	B	C		A	B	C
02	1.25	3.95	3.19	09	10.00	12.70	11.94
03	2.50	5.20	4.44	10	11.25	13.95	13.19
04	3.75	6.45	5.69	11	12.50	15.20	14.44
05	5.00	7.70	6.95	12	13.75	16.45	15.69
06	6.25	8.95	8.19	13	15.00	17.70	16.94
07	7.50	10.20	9.44	14	16.25	18.95	18.19
08	8.75	11.45	10.69	15	17.50	20.20	19.44

 喬訊電子工業股份有限公司 CHYAO SHIUNN ELECTRONIC INDUSTRIAL LTD.	APPROVED BY	SCALE	UNIT	TOLERANCE	LTR	REVISION RECORD	NAME	DATE	LTR	REVISION RECORD	NAME	DATE
	Tom Shih		mm	.0 ±0.30	△	RoHS compliant	邱森鴻	06/04/01	△			
PART NO   JS-1250-XX(XX)-XX-NH	CHECKED BY	PROJ	VER NO.	.00 ±0.20	△	200806-034	黃科源	08/06/30	△			
	Erin Chou			.000 ±0.10	△	尺寸修改	劉怡萱	11/03/31	△			
1.25mm Crimp Style Connectors Housing	DRAWN BY	DATE	SIZE	ANGLE	△	產品外觀修正, 增加C尺寸	吳弘文	14/09/11	CUSTOMER			
	Eddie	2020/06/20	A4	0° ±1°	△	變更為無齒材質	吳弘文	15/04/23				
				0° ±	△	新增顏色選項	Eddie	20/09/22	Conforms to The RoHS Instruction			
				SHEET 1/1	△	新增塑料選項	Eddie	22/06/20				



Recommended P.C.B Layout(Top View)



■ SPECIFICATIONS

- Voltage Rating : 100V AC/DC
- Current Rating : 1A AC/DC
- Withstanding Voltage : 500V AC/minute
- Insulation Resistance : 100MΩ min.
- Temperature Range : - 25°C to + 85°C
- Contact Resistance : 20mΩ max.

■ WAFER

- Part No. : JS-1251-XX
- Poles : 2-15(Straight)
- Material : Contact : Brass , Tin plated  
Base : Nylon 66 UL94V-0 ;  
Color : Light Brown
- Q' ty : 1,000 pcs./PVC Box

Poles	Part No.	Dimensions(mm)	
		A	B
2	JS-1251-02	1.25	4.25
3	JS-1251-03	2.50	5.50
4	JS-1251-04	3.75	6.75
5	JS-1251-05	5.00	8.00
6	JS-1251-06	6.25	9.25
7	JS-1251-07	7.50	10.50
8	JS-1251-08	8.75	11.75
9	JS-1251-09	10.00	13.00
10	JS-1251-10	11.25	14.25
11	JS-1251-11	12.50	15.50
12	JS-1251-12	13.75	16.75
13	JS-1251-13	15.00	18.00
14	JS-1251-14	16.25	19.25
15	JS-1251-15	17.50	20.50



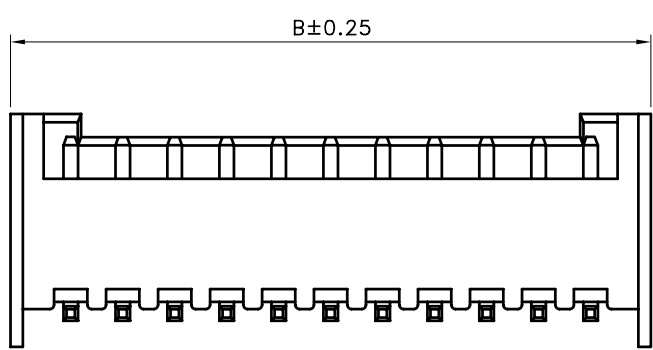
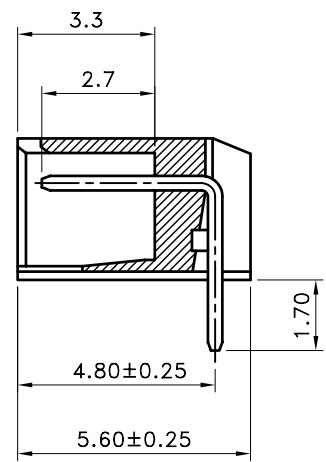
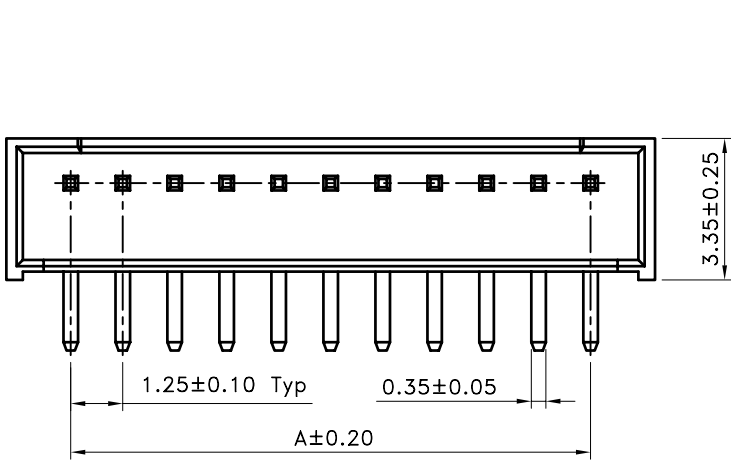
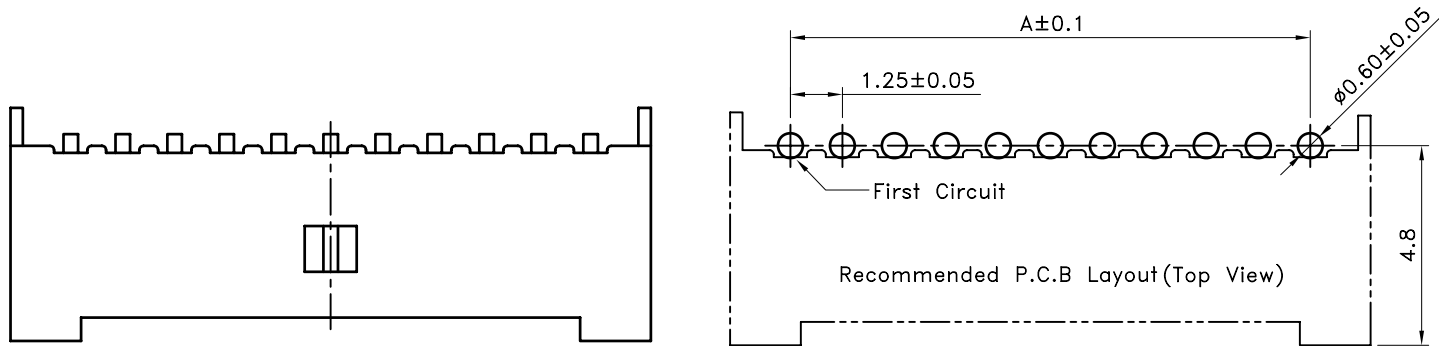
喬訊電子工業股份有限公司  
CHYAO SHIUNN  
ELECTRONIC INDUSTRIAL LTD.

APPROVED BY	SCALE	UNIT	TOLERANCE	LTR	REVISION RECORD	DATE	LTR	REVISION RECORD	DATE
林宗		mm	.0 ±0.3	ECR	RoHs Complained	06/04/01			
CHECKED BY	PROJ	VER NO.	.00 ±0.2	ECR	200807-028	08/07/31			
		a1	.000 ±0.1						
DRAWN BY	DATE	SIZE	ALL ±				CUSTOMER		
			ANGLE						
黃科源	2008/07/31	A4	0° ±						
			.0° ±						

PART NO JS-1251-XX

1.25mm Crimp Style Connectors Wafer

Conforms to The RoHS Instruction



**■ SPECIFICATIONS**

- Voltage Rating : 100V AC/DC
- Current Rating : 1A AC/DC
- Withstanding Voltage : 500V AC/minute
- Insulation Resistance : 100MΩ min.
- Temperature Range : - 25°C to + 85°C
- Contact Resistance : 20mΩ max.

**■ WAFER**

- Part No. : JS-1251R-XX
- Poles : 2-15(Right Angle)
- Material : Contact : Brass , Tin plated  
Base : Nylon 66 UL94V-0 ;  
Color : Light Brown
- Q' ty : 1,000 pcs./PVC Box

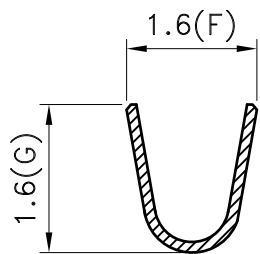
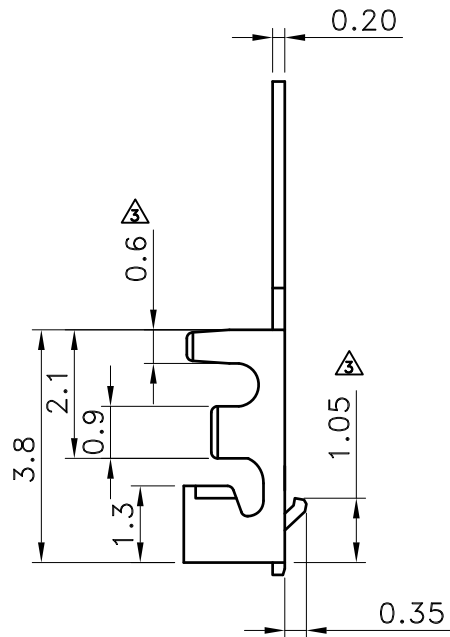
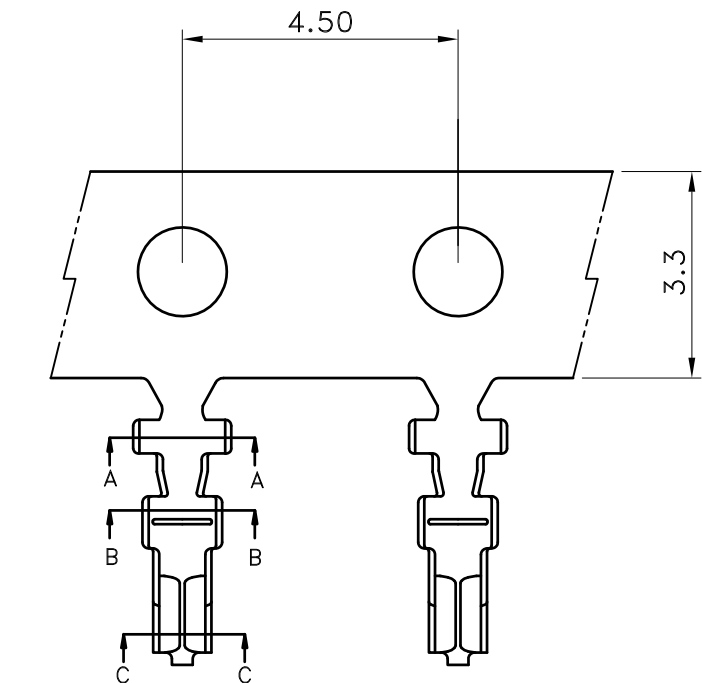
Poles	Part No.	Dimensions(mm)	
		A	B
2	JS-1251R-02	1.25	4.25
3	JS-1251R-03	2.50	5.50
4	JS-1251R-04	3.75	6.75
5	JS-1251R-05	5.00	8.00
6	JS-1251R-06	6.25	9.25
7	JS-1251R-07	7.50	10.50
8	JS-1251R-08	8.75	11.75
9	JS-1251R-09	10.00	13.00
10	JS-1251R-10	11.25	14.25
11	JS-1251R-11	12.50	15.50
12	JS-1251R-12	13.75	16.75
13	JS-1251R-13	15.00	18.00
14	JS-1251R-14	16.25	19.25
15	JS-1251R-15	17.50	20.50

喬訊電子工業股份有限公司  
CHYAO SHIUNN  
ELECTRONIC INDUSTRIAL LTD.

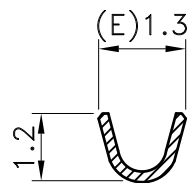
PART NO JS-1251R-XX  
1.25mm Crimp Style Connectors Wafer

APPROVED BY	SCALE	UNIT	TOLERANCE	LTR	REVISION RECORD	DATE	LTR	REVISION RECORD	DATE
林宗		mm	.0 ±0.3	ECR	RoHs Complaind	06/04/01			
CHECKED BY	PROJ	VER NO.	.00 ±0.2	ECR	200807-027	08/07/31			
			.000 ±0.1						
		α3	ALL ±						
DRAWN BY	DATE	SIZE	ANGLE						
黃科源	2008/07/31	A4	0° ±						
			.0° ±						

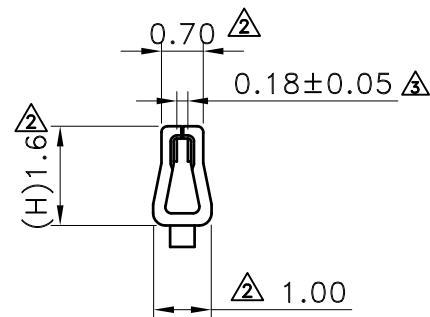
CUSTOMER  
Conforms to The RoHS Instruction



A-A SEC



B-B SEC



C-C SEC

▲ **SPECIFICATIONS**

- Current Rating : 1A AC/DC
- Withstanding Voltage : 500V AC/minute
- Insulation Resistance : 100M $\Omega$  min.
- Temperature Range : - 25 $^{\circ}$ C ~ + 85 $^{\circ}$ C
- Contact Resistance : 20m $\Omega$  max.

■ **TERMINAL**

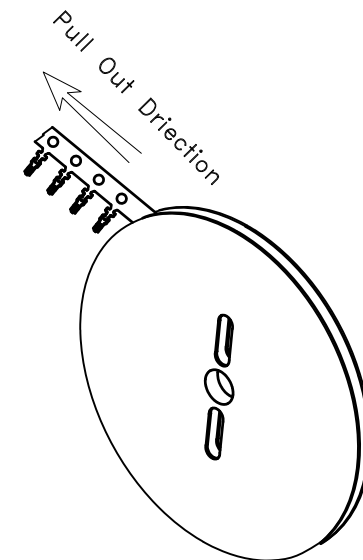
- Part No. : JS-1250-TX

▲ Code No. ①

① Blank : Tin Plated Over Nickel

P : Pressing Before Tin Plated Over Nickel

- Applicable Wires : AWG# 28 ~ 32
- Material : Phosphor Bronze
- Finish : Tin Plated
- Thickness : 0.2mm
- Q' ty : 15,000 pcs./Reel



喬訊電子工業股份有限公司

**CHYAO SHIUNN  
ELECTRONIC INDUSTRIAL LTD.**

**PART NO JS-1250-TX**

**1.25mm Crimp Style Connectors Terminal**

APPROVED BY	SCALE	UNIT	TOLERANCE	LTR	REVISION RECORD	NAME	DATE	LTR	REVISION RECORD	NAME	DATE
張育瑞		mm	.0 ±0.30	▲				▲			
CHECKED BY	PROJ	VER NO.	.00 ±0.20	▲	合併圖面&公差修改	劉怡萱	11/03/30	▲			
周慈雲		a4	.000 ±0.10	▲	產品外觀修正，增加尺寸標註	吳弘文	14/09/12	▲			
DRAWN BY	DATE	SIZE	ANGLE		增加端子捲繞方向圖	吳弘文	14/10/24	▲	CUSTOMER		
吳弘文	2014/10/24	A4	0° ±1°	▲							
			.0° ±	▲					Conforms to The RoHS Instruction		
			SHEET 1/1	▲							