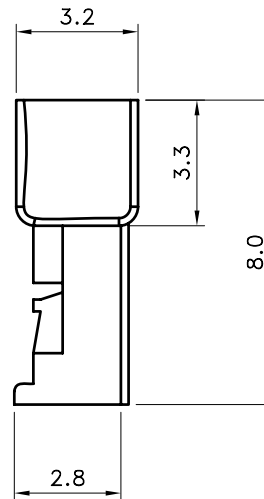
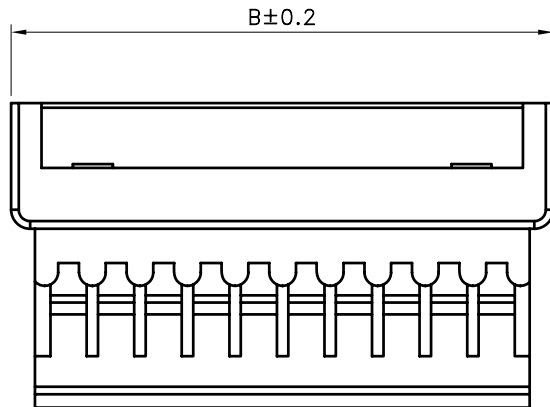
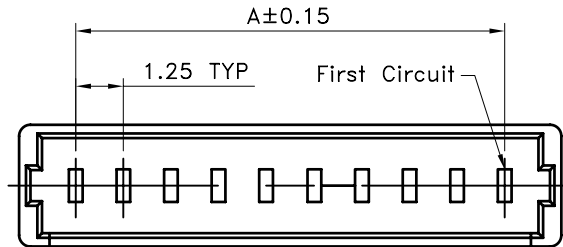


3 Circuit

2 Circuit



■ SPECIFICATIONS

- Voltage Rating : 125 V AC/DC
- Current Rating : 1A AC/DC
- Withstanding Voltage : 250V AC/minute
- Insulation Resistance : 100MΩ min
- Temperature Range : - 40°C to + 85°C
- Contact Resistance : 20mΩ max

■ PLUG HOUSING

- Part No. : JS-1145- XX
- Poles : 2~15
- Materia : P.B,T. UL94V-0 ; Color : White
- Q' ty : 1,000 pcs./Bag

Poles	Part No.	Dim(mm)	
		A	B
2	JS-1145-02	1.25	4.25
3	JS-1145-03	2.50	5.50
4	JS-1145-04	3.75	6.75
5	JS-1145-05	5.00	8.00
6	JS-1145-06	6.25	9.25
7	JS-1145-07	7.50	10.50
8	JS-1145-08	8.75	11.75
9	JS-1145-09	10.00	13.00
10	JS-1145-10	11.25	14.25
11	JS-1145-11	12.50	15.50
12	JS-1145-12	13.75	16.75
13	JS-1145-13	15.00	18.00
14	JS-1145-14	16.25	19.25
15	JS-1145-15	17.50	20.50



喬訊電子工業股份有限公司  
CHYAO SHIUNN  
ELECTRONIC INDUSTRIAL LTD.

PART NO JS-1145-XX

1.25mm Crimp Style Connectors Plug Housing

APPROVED BY

林宗

CHECKED BY

DRAWN BY

黃科源

SCALE



DATE

2008/11/03

UNIT

mm

VER NO.

a3

SIZE

A4

TOLERANCE

.0 ±0.3

.00 ±0.2

.000 ±0.1

ALL ±

ANGLE

0° ±

.0° ±

LTR

ECR

ECR

ECR

REVISION RECORD

RoHS Compliant

200807-014

200808-013

200811-002

DATE

07/01/05

08/07/17

08/08/20

08/11/13

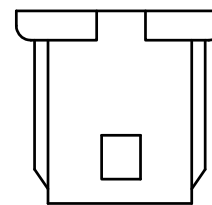
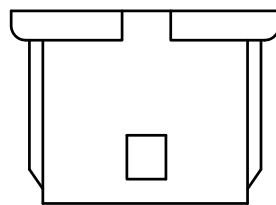
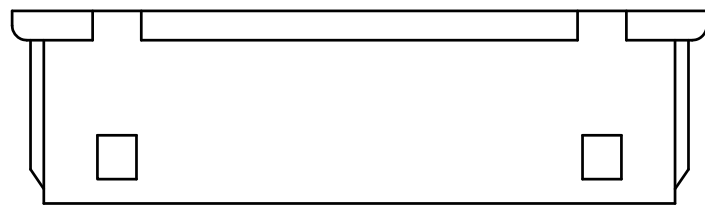
LTR

REVISION RECORD

DATE

CUSTOMER

Conforms to The RoHS Instruction



3 Circuit

2 Circuit

■ SPECIFICATIONS

- Voltage Rating : 125V AC/DC
- Current Rating : 1A AC/DC
- Withstanding Voltage : 250V AC /minute
- Insulation Resistance : 100MΩ min
- Temperature Range : - 40°C to + 85°C
- Contact Resistance : 20mΩ max

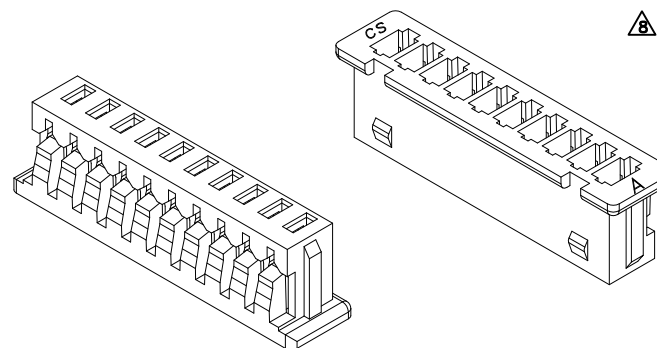
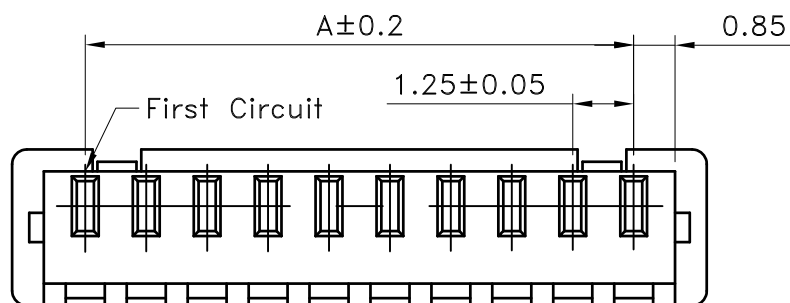
■ RECEPTACLE HOUSING

- Part No. : JS-1146-XX(XX)  
① ②

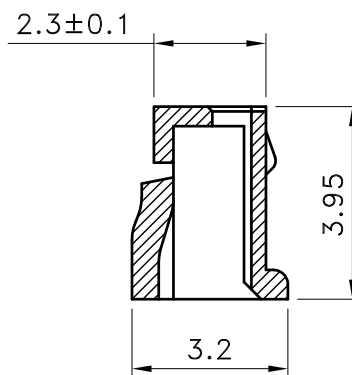
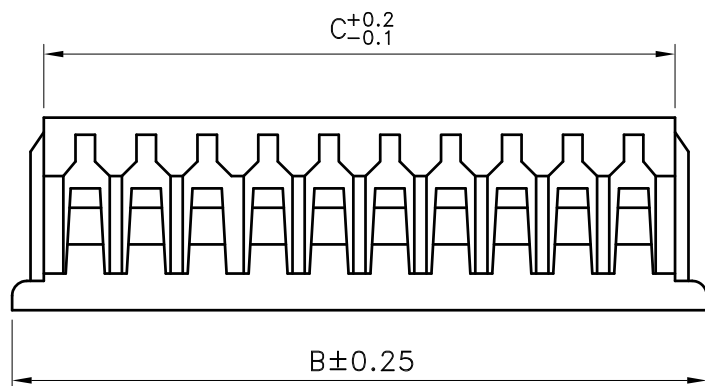
① Poles : 2 - 15

⚠ ② Color: Blank : Nature(Standard) Non-halogen  
BK : Black

- Material : Nylon 66 UL94V-0
- Q' ty : Bag



Halogen Free



Poles	Part No.	Dimensions (mm)		
		A	B	C
2	JS-1146-02	1.25	4.25	2.95
3	JS-1146-03	2.50	5.50	4.20
4	JS-1146-04	3.75	6.75	5.45
5	JS-1146-05	5.00	8.00	6.70
6	JS-1146-06	6.25	9.25	7.95
7	JS-1146-07	7.50	10.50	9.20
8	JS-1146-08	8.75	11.75	10.45
9	JS-1146-09	10.00	13.00	11.70
10	JS-1146-10	11.25	14.25	12.95
11	JS-1146-11	12.50	15.50	14.20
12	JS-1146-12	13.75	16.75	15.45
13	JS-1146-13	15.00	18.00	16.70
14	JS-1146-14	16.25	19.25	17.95
15	JS-1146-15	17.50	20.50	19.20



喬訊電子工業股份有限公司

CHYAO SHIUNN  
ELECTRONIC INDUSTRIAL LTD.

PART NO JS-1146-XX

1.25mm Crimp Style Connectors Receptacle Housing

APPROVED BY	SCALE	UNIT	TOLERANCE	LTR	REVISION RECORD	NAME	DATE	LTR	REVISION RECORD	NAME	DATE
張育瑞		mm	.0 ±0.30	△	RoHS compliant	ECR	06/04/01	△	自然色選項添加無鹵註釋	謝君	21/03/08
CHECKED BY	PROJ	VER NO.	.00 ±0.20	△	DG 200612-005	ECR	06/12/14	△			
劉娜	⊕	a8	.000 ±0.10	△	DG 200704-004	ECR	07/04/16	△			
DRAWN BY	DATE	SIZE	ANGLE	△	200807-005	ECR	08/07/03		CUSTOMER		
謝君	2021/03/08	A4	0° ±1°	△	200811-002	ECR	08/11/03		Conforms to The RoHS Instruction		
			.0° ±	△	200812-006	ECR	08/12/05				
			SHEET 1/1	△	去掉三角形	黃廣珍	13/09/10				

A4

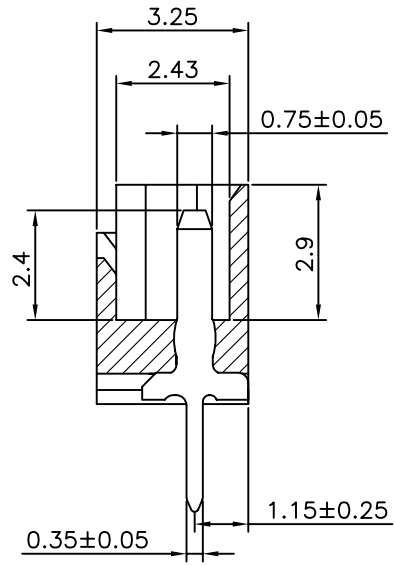
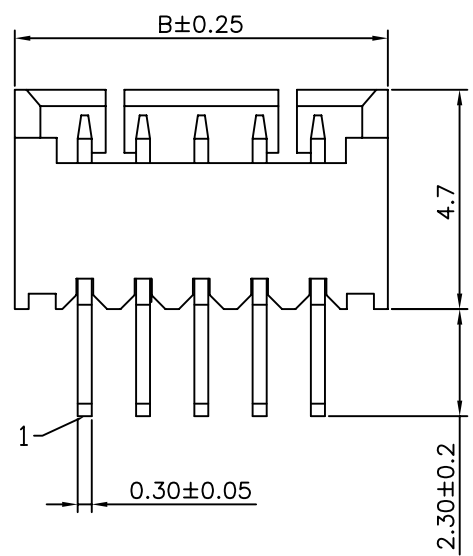
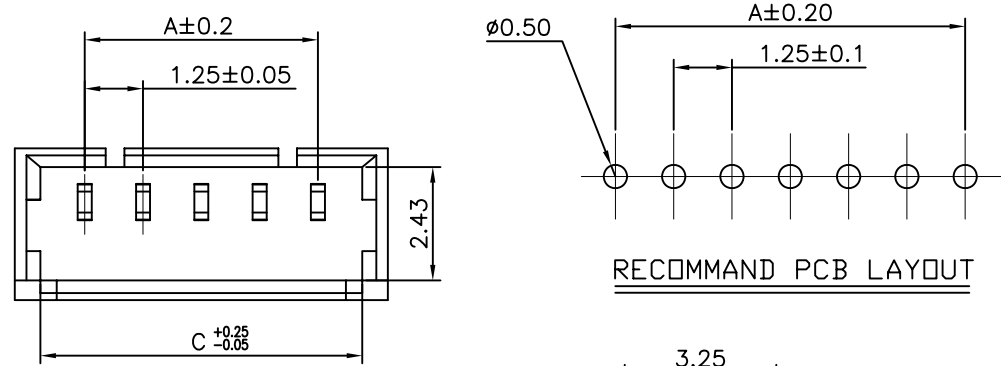
REV	MARK	DESCRIPTION	DR	DATE
C	/	增加尺寸及整合料号	hejihuai	09-02/23
D	/	修改料号编码	sunquan	10-10/07

**■ SPECIFICATIONS**

- Voltage Rating: 250V AC/DC
- Current Rating: 1A, AC/DC
- Withstanding Voltage: 250V AC/minute
- Insulation Resistance: 100MΩ min
- Temperature Range: -40°C~+85°C
- Contact Resistance: 20mΩ max

**■ WAFER**

- Part No.: JS-1147A-XXXX-XX-XX
  - Poles: 02~15
  - Blank: Tin Plated
  - M: Matte Sn
  - Blank&NA: Nature
  - BK: Black
  - NH: Halogen Free
  - Blank: Normal
- Material: Contact: Brass, Tin Plated/Matte plated  
Base: High Temp Plastic UL94V-0
- Q'ty: 1,000pcs/PVC Box
- Halogen free product identification LOGO on the packing

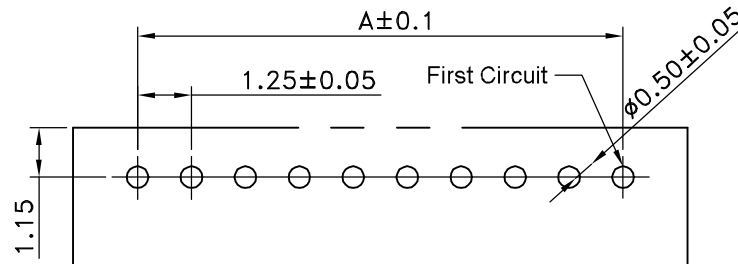
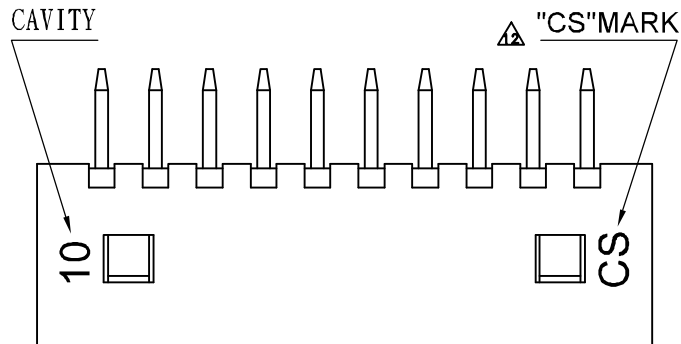


Poles	Part No.	Dimension(mm)		
		A	B	C
2	JS-1147A-02	1.25	4.25	3.05
3	JS-1147A-03	2.50	5.50	4.30
4	JS-1147A-04	3.75	6.75	5.55
5	JS-1147A-05	5.00	8.00	6.80
6	JS-1147A-06	6.25	9.25	8.05
7	JS-1147A-07	7.50	10.50	9.30
8	JS-1147A-08	8.75	11.75	10.55
9	JS-1147A-09	10.00	13.00	11.80
10	JS-1147A-10	11.25	14.25	13.05
11	JS-1147A-11	12.50	15.50	14.30
12	JS-1147A-12	13.75	16.75	15.55
13	JS-1147A-13	15.00	18.00	16.80
14	JS-1147A-14	16.25	19.25	18.05
15	JS-1147A-15	17.50	20.50	19.30

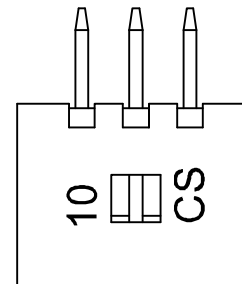
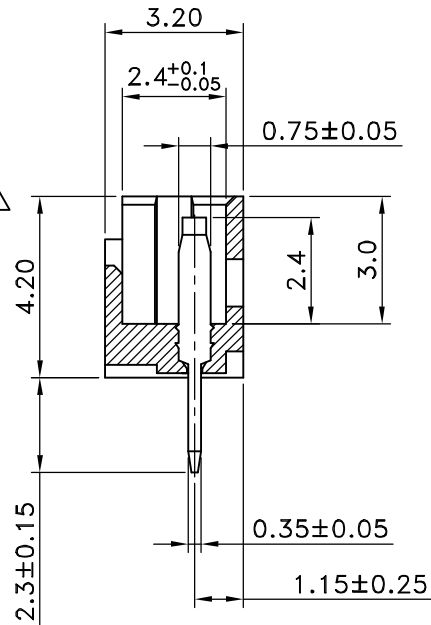
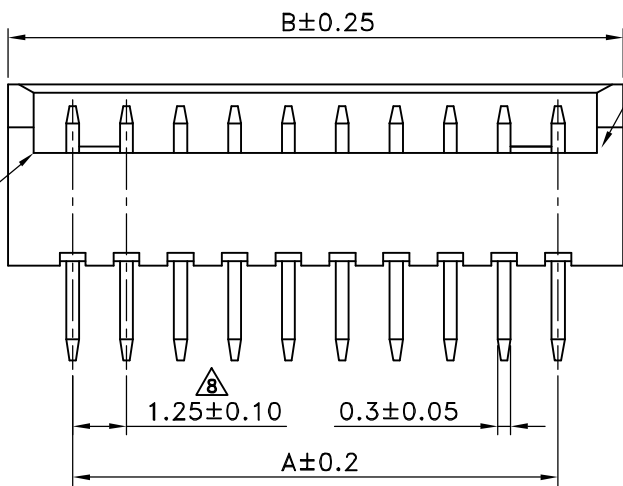
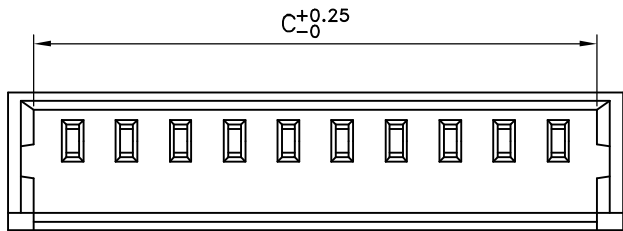


符合环境管理物质

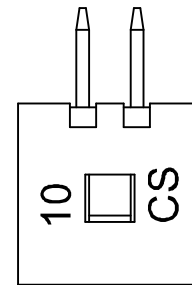
X.± 0.50	X°.± 5.00'	UNITS	mm	NAME(INTENDED USE) <b>CUSTOMER</b>	CHYAO SHIUNN ELECTRONIC (SHANGHAI) CO.,LTD.
.X± 0.30	.X°.± 3.00'	MAT'L			
.XX± 0.20	.XX°.± 2.00'	FINISH		PART NO.(INTENDED USE) JS-1147A-XX	TITLE: 1.25 PITCH DIP TYPE
.XXX± 0.10	.XXX°.± 1.00'				APPD: liuzhiwen 2010/10/07
THESE DRAWINGS AND SPECIFICATIONS ARE THE PROPERTY OF CHYAO SHIUNN ELECTRONIC CO., LTD. AND SHALL NOT BE REPRODUCED, COPIED OR USED IN ANY MANNER WITHOUT THE PRIOR WRITTEN CONSENT OF CHYAO SHIUNN ELECTRONIC CO., LTD.				Q'TY	CHKD:
				DR: HEJIHUI	09-02/23



Recommended PCB Layout(Top View)



3 Circuit



2 Circuit

■ SPECIFICATIONS

- Voltage Rating : 250V AC/DC  $\Delta$
- Current Rating : 1A AC/DC
- Withstanding Voltage : 250V AC /minute
- Insulation Resistance : 100M $\Omega$  min
- Temperature Range : - 40°C to + 85°C
- Contact Resistance : 20m $\Omega$  max

■ WAFER

- Part No. : JS-1147-XX (XX)XX  
① ② ③

Code No.

- ① Poles : 2 - 15(DIP Type)

- ② Base :

Blank : Nylon 66 UL94V-0 (Halogen Free)  $\Delta$   
(Color : Nature&BK)

PA : PA46 UL94V-0.(Color : Nature)

HF1 : PA 6T UL94V-0.(Color : Nature)  
(Halogen Free)  $\Delta$

- ③ Color : Blank : Nature  
BK : Black  $\Delta$

- Material : Contact : Brass, Tin Plated  
Base : Refer the above options
- Package : PVC Box

Poles	Part No.	Dimensions (mm)		
		A	B	C
2	JS-1147-02	1.25	4.25	3.05
3	JS-1147-03	2.50	5.50	4.30
4	JS-1147-04	3.75	6.75	5.55
5	JS-1147-05	5.00	8.00	6.80
6	JS-1147-06	6.25	9.25	8.05
7	JS-1147-07	7.50	10.50	9.30
8	JS-1147-08	8.75	11.75	10.55
9	JS-1147-09	10.00	13.00	11.80
10	JS-1147-10	11.25	14.25	13.05
11	JS-1147-11	12.50	15.50	14.30
12	JS-1147-12	13.75	16.75	15.55
13	JS-1147-13	15.00	18.00	16.80
14	JS-1147-14	16.25	19.25	18.05
15	JS-1147-15	17.50	20.50	19.30



喬訊電子工業股份有限公司

CHYAO SHIUNN  
ELECTRONIC INDUSTRIAL LTD.

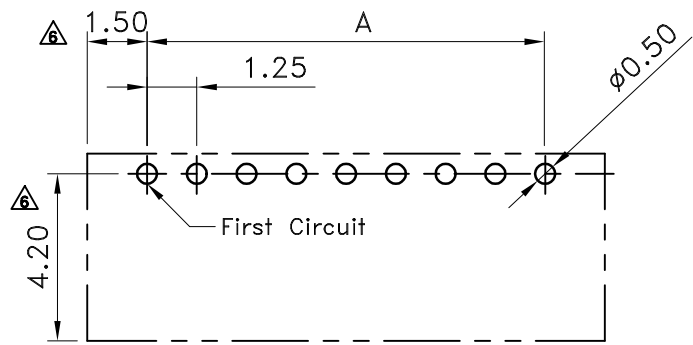
APPROVED BY	SCALE	UNIT	TOLERANCE	LTR	REVISION RECORD	NAME	DATE	LTR	REVISION RECORD	NAME	DATE
Tom Shih		mm	.0 ±0.30	$\Delta$	ECR 200802-010	黃科源	2005/09/02	$\Delta$	新增Base本色無鹵材質及區顏色選項	劉娜	2019/05/20
CHECKED BY	PROJ	VER NO.	.00 ±0.20	$\Delta$	ECR 200805-014	黃科源	2005/09/02	$\Delta$	添加註釋塑膠壳66規格為無鹵產品	謝君	2020/07/27
Erin Chou	$\oplus$ $\square$	a12	.000 ±0.10	$\Delta$	ECR 200808-012	黃科源	2005/09/02	$\Delta$	增加"CS" Mark及模穴號標示	Eddie	2020/11/20
DRAWN BY	DATE	SIZE	ANGLE		ECR 200811-002	黃科源	2005/09/02				
Eddie	2020/11/20	A4	0° ±1°	$\Delta$	ECR 200907-003	黃科源	2005/09/02				
			.0° ±	$\Delta$	修正Pitch 公差	吳弘文	2012/06/27				
			SHEET 1/1	$\Delta$	膠殼設變	黃廣珍	2013/07/05				

PART NO JS-1147-XX(XX)XX

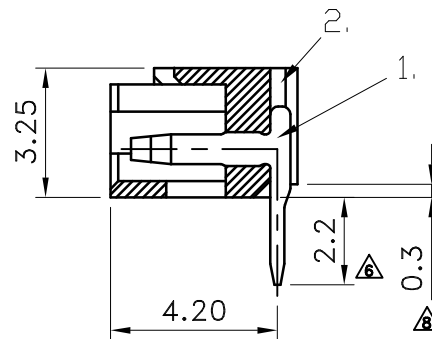
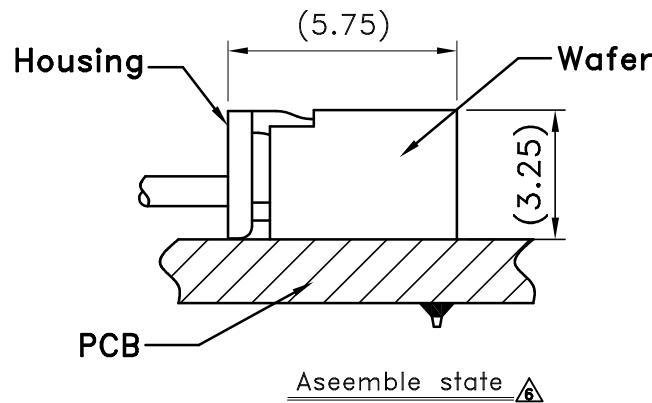
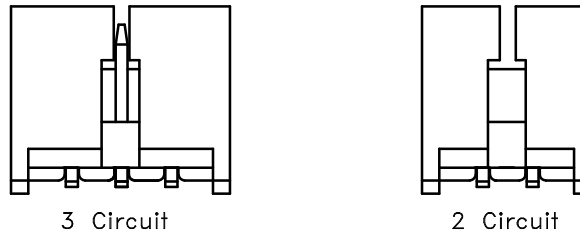
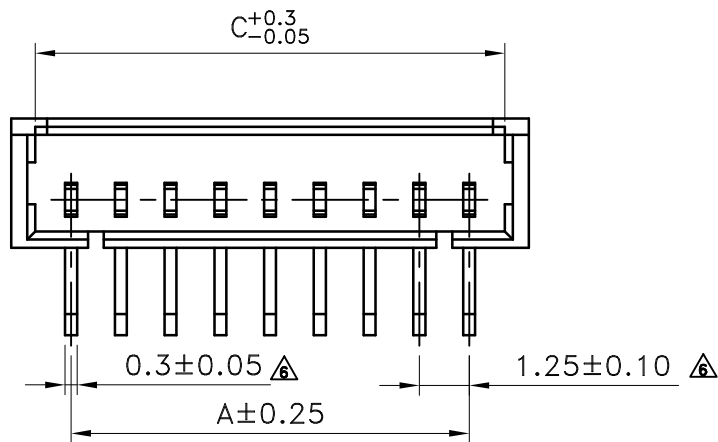
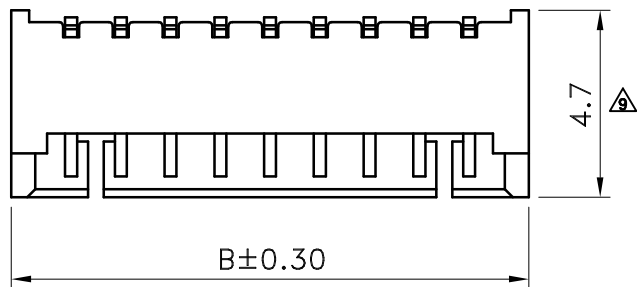
1.25mm Crimp Style Connectors Wafer <DIP>

CUSTOMER

Conforms to The RoHS Instruction



Recommended PCB Layout (Top View)  
General Tolerance  $\pm 0.05$

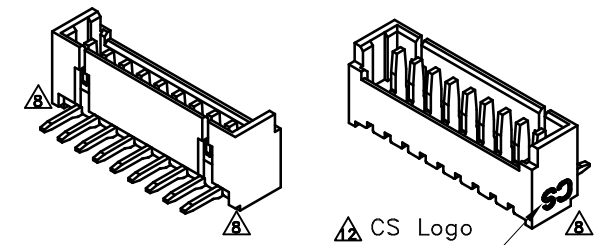


**SPECIFICATIONS**

- Current Rating : 1A AC/DC
- Withstanding Voltage : 250V AC /minute
- Insulation Resistance : 100M $\Omega$  min
- Temperature Range : - 40 $^{\circ}$ C to + 85 $^{\circ}$ C
- Contact Resistance : 20m $\Omega$  max

**WAFER**

- Part No. : JS-1147R-XX (XX XX)XX
- Product Code ① ② ③ ④
- ① Poles : 2-15 (DIP Type)
- ② Base : Blank : Nylon 46 UL94V-0, Color : Nature  
HF1: Nylon 6T UL94V-0, Color : Nature  $\Delta$   
(03P~15P)
- ③ Plated : Blank : Tin Plated  
NM : Matte-Tin Plated  $\Delta$
- ④ Packing: Blank : 1000 pcs/pvc box  
/R : Paper Reel; Q'ty 900 Pcs/Reel  
/P : 15" Plastic Reel; Q'ty 1100 Pcs/Reel  $\Delta$   
/P1 : 13" Plastic Reel; Q'ty 800 Pcs/Reel  $\Delta$
- Material : 1. Contact : Brass  
2. Base : Refer the above options



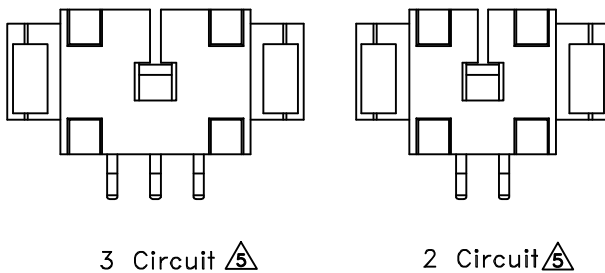
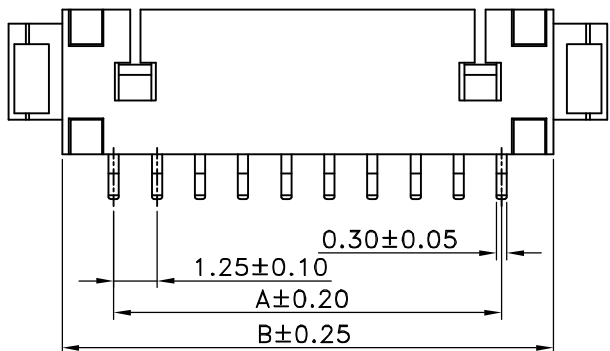
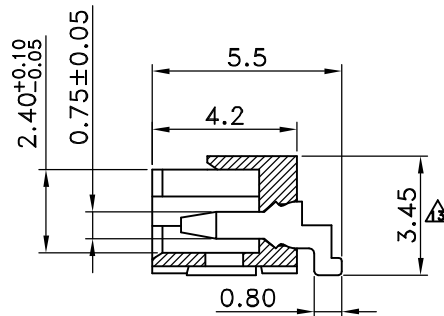
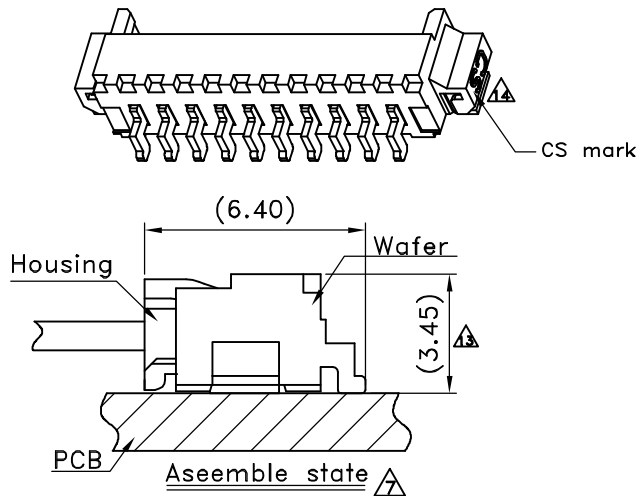
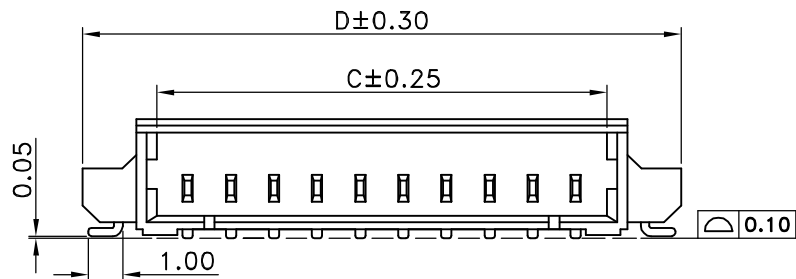
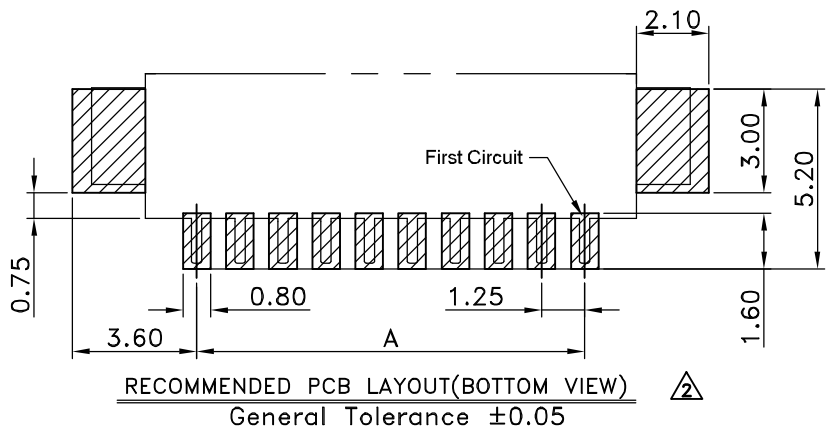
Poles	Dimensions (mm)			Poles	Dimensions (mm)		
	A	B	C		A	B	C
2	1.25	4.25	3.05	9	10.00	13.00	11.80
3	2.50	5.50	4.30	10	11.25	14.25	13.05
4	3.75	6.75	5.55	11	12.50	15.50	14.30
5	5.00	8.00	6.80	12	13.75	16.75	15.55
6	6.25	9.25	8.05	13	15.00	18.00	16.80
7	7.50	10.50	9.30	14	16.25	19.25	18.05
8	8.75	11.75	10.55	15	17.50	20.50	19.30



喬訊電子工業股份有限公司  
CHYAO SHIUNN  
ELECTRONIC INDUSTRIAL LTD.

APPROVED BY	SCALE	UNIT	TOLERANCE	LTR	REVISION RECORD	NAME	DATE	LTR	REVISION RECORD	NAME	DATE
Tom Shih		mm	.0 $\pm 0.30$	3	200807-006		08/07/03	10	增加13寸15寸卷盤盤內容說明	藍美娜	2017/09/21
CHECKED BY	PROJ	VER NO.	.00 $\pm 0.20$	4	200811-002		08/11/03	11	增加無曲素原色及霧錫選項	Eddie	2019/09/12
Erin Chou		a11	.000 $\pm 0.10$	5	200910-005	林曉	09/10/23	12	Add CS Logo on 3D View	Erin	2022/09/21
DRAWN BY	DATE	SIZE	ANGLE	6	增加顏色說明	劉怡堂	11/04/06	CUSTOMER			
Eddie	2019/09/12	A4	0 $^{\circ}$ $\pm 1^{\circ}$	7	增加產品規格	周美麗	12/11/15				
			0 $^{\circ}$ $\pm$	8	改善注製生產時產生毛邊	李玉園					
			SHEET 1/1	9	增加尺寸4.7mm管控	鄭小嬌	15/04/17	Conforms to The RoHS Instruction			

PART NO JS-1147R-XX(XXXX)XX  
1.25mm Crimp Style Connectors Wafer <DIP>



■ SPECIFICATIONS

- Voltage Rating : 250V AC/DC  $\triangle$
- Current Rating : 1A AC/DC
- Withstanding Voltage : 250V AC /minute
- Insulation Resistance : 100M $\Omega$  min  $\triangle$
- Temperature Range : - 40°C to + 85°C
- Contact Resistance : 20m $\Omega$  max

■ WAFER

- Part No. : JS-1147H-XX (XX XX) XX  $\triangle$   
① ② ③ ④

- ① Poles: 02~15
- ② Base Material :  
Blank : Nylon 46 UL94V-0, Color : Nature  
9T : Nylon 9T UL94V-0, Color : Nature  
HF : Nylon 6T/66 UL94V-0, Color : Black  $\triangle$   
HF1 : Nylon 6T UL94V-0, Color : Nature  $\triangle$
- ③ Plated : Blank : Tin Plated  
NM : Matte-Tin Plated  
G : Gold Flash  
 $\triangle$  G5 : 30u" min. Au over 50u" min. NICKEL
- ④ Packing :  
Blank : Paper Ree; Q'ty 1500Pcs/Reel  $\triangle$   
/P : 15" Plastic Reel; Q'ty 1700Pcs/Reel  $\triangle$   
/P1 : 13" Plastic Reel; Q'ty 1300Pcs/Reel  $\triangle$
- Contact : Brass
- Solder Nail : Brass
- Base : Refer the above options

Poles	Dimensions (mm)			
	A	B	C	D
2	1.25	4.25	3.05	7.10
3	2.50	5.50	4.30	8.35
4	3.75	6.75	5.55	9.60
5	5.00	8.00	6.80	10.85
6	6.25	9.25	8.05	12.10
7	7.50	10.50	9.30	13.35
8	8.75	11.75	10.55	14.60
9	10.00	13.00	11.80	15.85
10	11.25	14.25	13.05	17.10
11	12.50	15.50	14.30	18.35
12	13.75	16.75	15.55	19.60
13	15.00	18.00	16.80	20.85
14	16.25	19.25	18.05	22.10
15	17.50	20.50	19.30	23.35



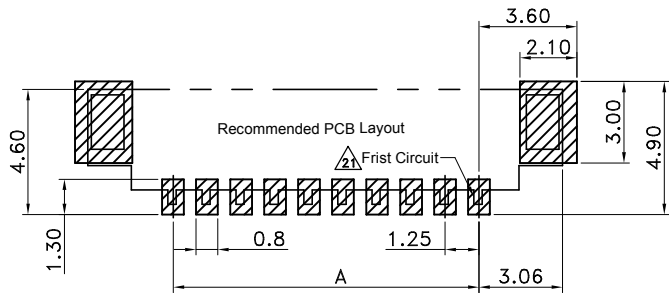
喬訊電子工業股份有限公司  
CHYAO SHIUNN  
ELECTRONIC INDUSTRIAL LTD.

APPROVED BY	SCALE	UNIT	TOLERANCE	LTR	REVISION RECORD	NAME	DATE	LTR	REVISION RECORD	NAME	DATE
Tom Shih		mm	.0 ±0.30	$\triangle$	增加NH選項	林謙豪	2012/06/07	$\triangle$	增加CS MARK	Eddie	2022/09/21
CHECKED BY	PROJ	VER NO.	.00 ±0.20	$\triangle$	修正左下方Pitch 說明	吳弘文	2012/06/22	$\triangle$	Add Voltage Rating	Eddie	2023/03/10
Erin Chou	$\oplus$ $\square$	a16	.000 ±0.10	$\triangle$	更新包裝數量	吳弘文	2012/11/21	$\triangle$	新增電鍍選項	Eddie	2023/12/04
DRAWN BY	DATE	SIZE	ANGLE	$\triangle$	刪除NH選項	吳弘文	2015/03/31				
Eddie	2023/12/04	A4	0° ±1°	$\triangle$	增加13寸15寸卷塑盤內容說明	藍美娜	2017/09/20				
			0° ±	$\triangle$	增加無鹵原色選項	Eddie	2018/09/26				
			SHEET 1/1	$\triangle$	依實物修改尺寸	Eddie	2020/05/17				

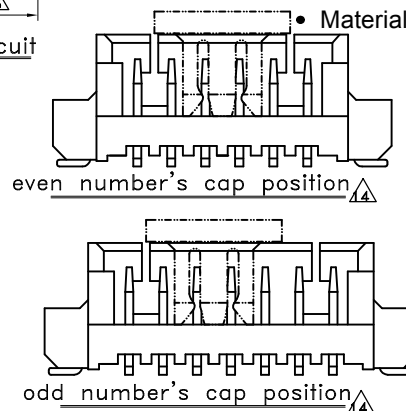
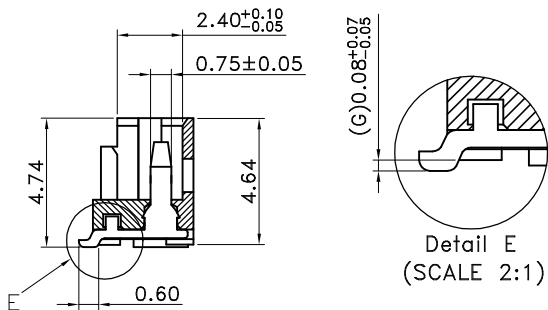
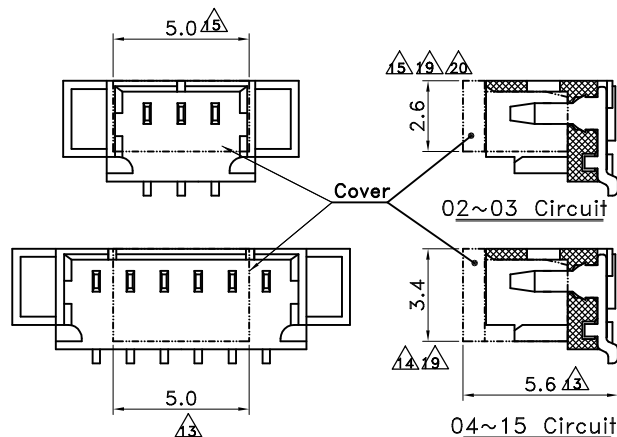
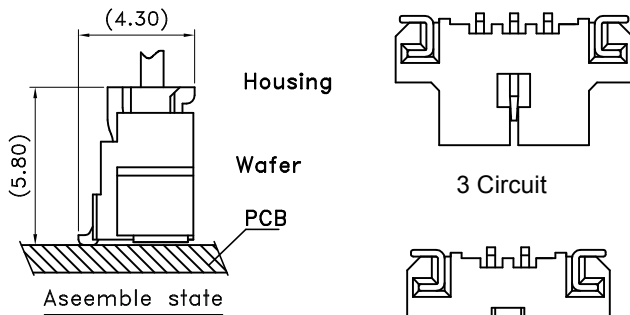
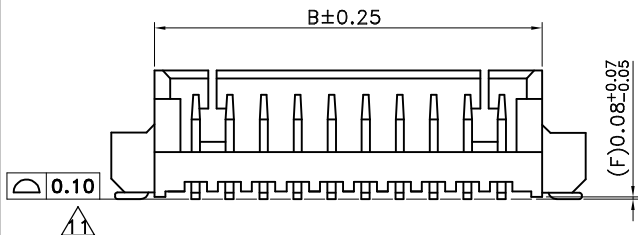
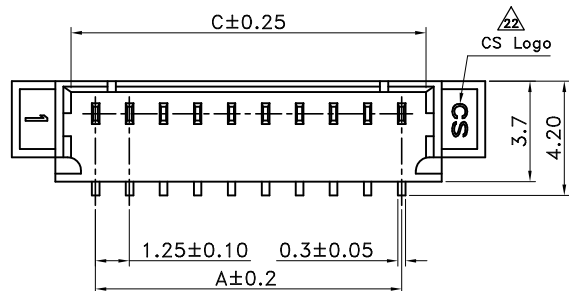
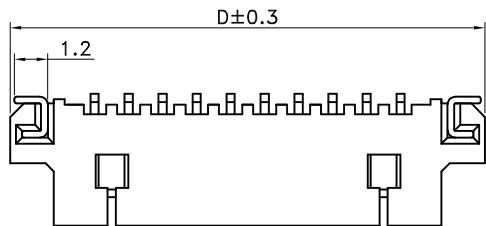
PART NO JS-1147H-XX(XXXX)XX

1.25mm WIRE TO BOARD CONNECTOR, SMT & R/A

CUSTOMER  
Conforms to The RoHS Instruction



Recommended PCB Layout  
General Tolerance ±0.05



■ SPECIFICATIONS

- Current Rating : 1A AC/DC
- Withstanding Voltage : 250V AC /minute
- Insulation Resistance : 100MΩ min
- Temperature Range : - 40°C to + 85°C
- Contact Resistance : 20mΩ max

■ WAFER

- Part No. : JS-1147V-XX(XX XX XX)XX XX

① Poles No. : 02~15

② Base Material :

- Blank : Nylon 46 UL94V-0, Color : Nature
- 9T : Nylon 9T UL94V-0, Color : Nature
- HF : Nylon 6T/66 UL94V-0, Color : Black
- HF1 : Nylon 6T UL94V-0, Color : Nature

③ PIN Material : Blank : Brass

PB: Phosphor bronze

④ Plated :

- Blank : Tin Plated
- NM : Matte-Tin Plated
- G : Gold Flash
- G1 : Gold 5u"

⑤ Blank: Without cap  
CV: With cap

⑥ Packing :

- Blank : Paper Ree; Q'ty 1000Pcs/Reel
- /P : 15" Plastic Reel; Q'ty 1200Pcs/Reel
- /P1 : 13" Plastic Reel; Q'ty 900Pcs/Reel

- Material : 1. Solder Nail : Brass
- 2. Base : Refer the above options

Poles	Dimensions (mm)			
	A	B	C	D
2	1.25	4.25	3.05	7.65
3	2.50	5.50	4.30	8.90
4	3.75	6.75	5.55	10.15
5	5.00	8.00	6.80	11.40
6	6.25	9.25	8.05	12.65
7	7.50	10.50	9.30	13.90
8	8.75	11.75	10.55	15.15
9	10.00	13.00	11.80	16.40
10	11.25	14.25	13.05	17.65
11	12.50	15.50	14.30	18.90
12	13.75	16.75	15.55	20.15
13	15.00	18.00	16.80	21.40
14	16.25	19.25	18.05	22.65
15	17.50	20.50	19.30	23.90

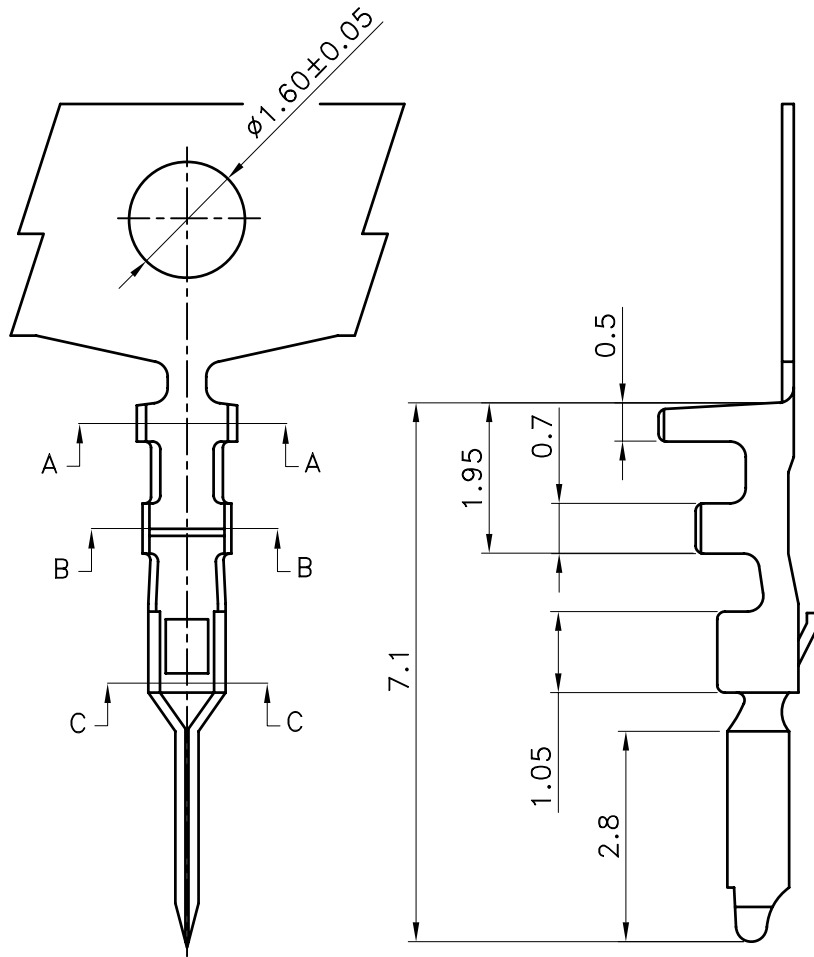


喬訊電子工業股份有限公司  
CHYAO SHIUNN  
ELECTRONIC INDUSTRIAL LTD.

PART NO JS-1147V-XX(XXXX)-XX

1.25mm WIRE TO BOARD CONNECTOR, SMT & STRAIGHT

APPROVED BY	SCALE	UNIT	TOLERANCE	LTR	REVISION RECORD	NAME	DATE	LTR	REVISION RECORD	NAME	DATE
Tom Shih		mm	.0 ±0.30	13	按實物修正3D示意圖及2D蓋子圖示	曾慶根	2015/11/11	20	按實物修正2D蓋子圖示	曾慶根	2020/03/02
CHECKED BY	PROJ	VER NO.	.00 ±0.20	14	依客戶需求改變CAP尺寸, 並增加CAP位置圖示	周家慶	2016/08/16	21	增加Pin 1 標示	Eddie	2020/12/30
Tom Shih		a21	.000 ±0.10	15	02-03 Circuit 增加PIN, 並增加圖示	周家慶	2016/10/16	22	Add CS Logo	Erin	2022/09/21
DRAWN BY	DATE	SIZE	ANGLE	16	增加13寸15寸等型號內容說明	藍美娜	2017/09/21	CUSTOMER			
Erin Chou	2022/09/21	A4	0° ±1°	17	增加HF1選項內容說明	曾慶根	2017/11/30				
			.0° ±	18	增加PIN針碼銅材質規格要求	劉娜	2017/12/19				
			SHEET 1/1	19	按實物修正2D蓋子圖示	曾慶根	2018/05/02	Conforms to The RoHS Instruction			

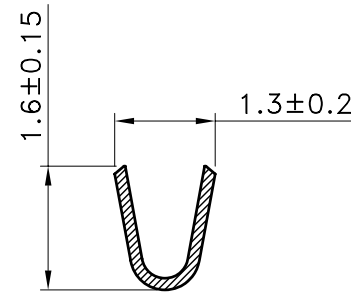


■ SPECIFICATIONS

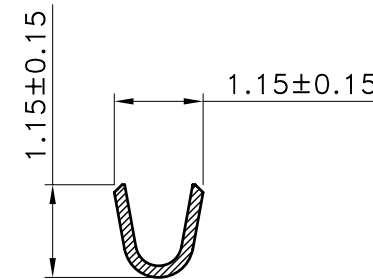
- Voltage Rating : 125V AC/DC
- Current Rating : 1A AC/DC
- Withstanding Voltage : 250V AC/minute
- Insulation Resistance : 100M $\Omega$  min
- Temperature Range : - 40 $^{\circ}$ C to + 85 $^{\circ}$ C
- Contact Resistance : 20m $\Omega$  max

■ TERMINAL

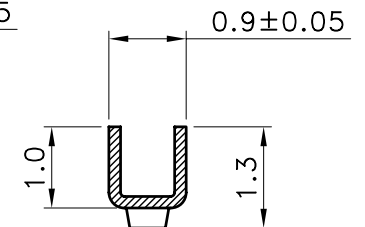
- Part No. : JS-1145-TP
- Applicable Wires : AWG# 28~32
- Material : Phos. Bronze
- Finish : Tin Plated
- Thickness : 0.15mm
- Q' ty: 15,000pcs./Reel



A-A SEC



B-B SEC



C-C SEC



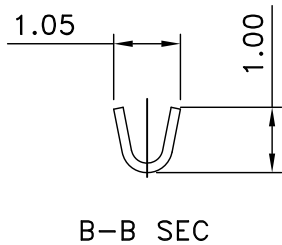
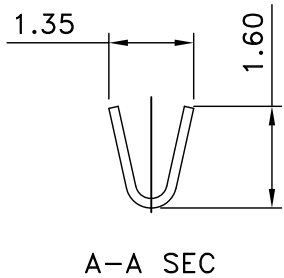
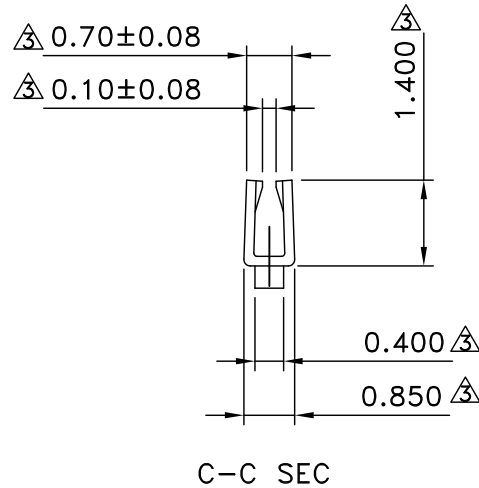
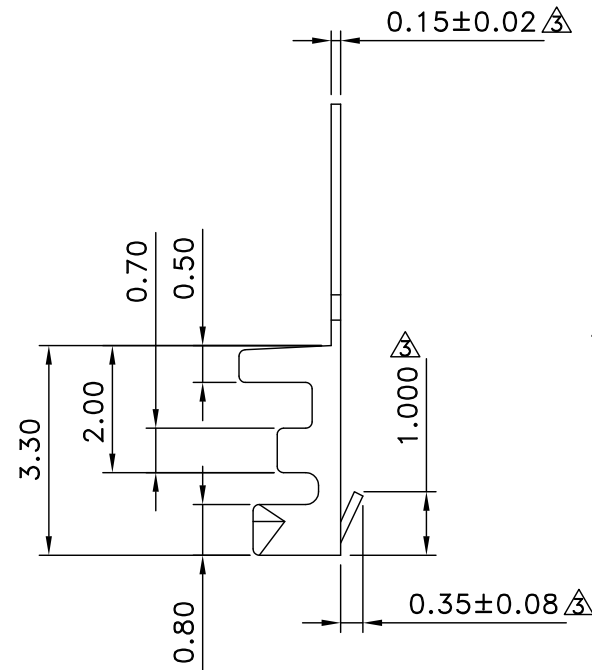
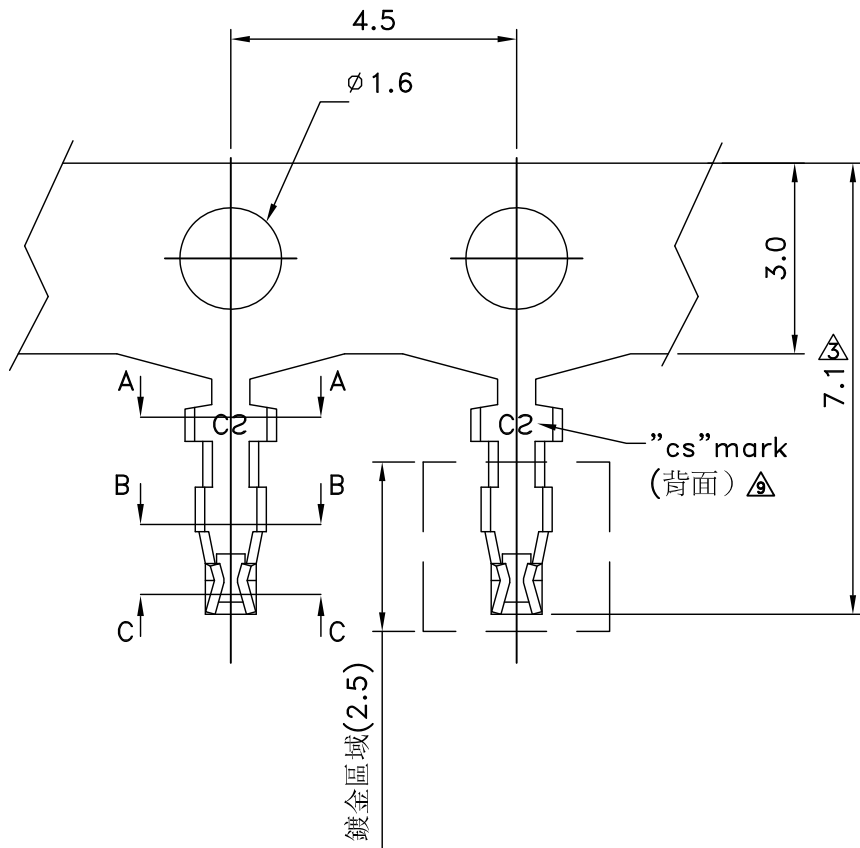
喬訊電子工業股份有限公司

CHYAO SHIUNN  
ELECTRONIC INDUSTRIAL LTD.

APPROVED BY	SCALE	UNIT	TOLERANCE	LTR	REVISION RECORD	DATE	LTR	REVISION RECORD	DATE
林宗		mm	.0 ±0.3	ECR	RoHS Compliant	06/04/01			
CHECKED BY	PROJ	VER NO.	.00 ±0.2	ECR	200807-015	08/07/17			
			.000 ±0.1	ECR	200808-013	08/08/20			
		a3	ALL ±	ECR	200905-003	09/05/07	CUSTOMER		
DRAWN BY	DATE	SIZE	ANGLE						
黃科源	2009/05/07	A4	0° ±						
			.0° ±				Conforms to The RoHS Instruction		

PART NO JS-1145-TP  
1.25mm Crimp Style Connectors Terminal





### ▲ SPECIFICATIONS

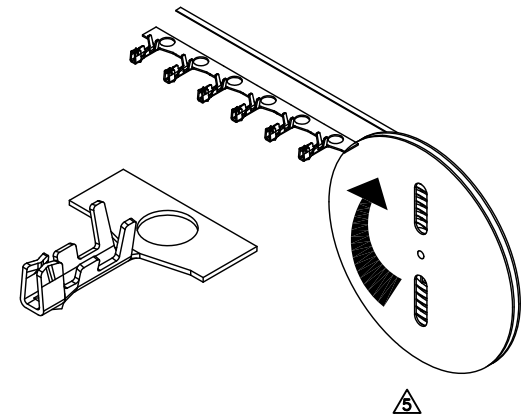
- Current Rating : 1A (Max) AC/DC
- ▲ Withstanding Voltage : 250V AC /minute
- Insulation Resistance : 100MΩ min
- Temperature Range : - 40°C to + 85°C
- Contact Resistance : 20mΩ max

### ■ TERMINAL

- Part No. : JS-1146-TXXX : GP Produces

- ① Finish : Blank : Tin Plated  
(Plated before Stamping) ▲
- TG : Gold Flash  
(Stamping before Plated) ▲
- ▲ TP : Tin Plated  
(Stamping before Plated)
- ▲ TPG4 : 15u" min. Au over 50u" min. Nickel  
(Stamping before Plated)

- Applicable Wires : AWG# 28 - 32
- Material : Phos. Bronze
- Thickness : 0.15mm
- Q' ty : 15,000 Pcs./Reel



 喬訊電子工業股份有限公司  
CHYAO SHIUNN  
ELECTRONIC INDUSTRIAL LTD.

PART NO JS-1146-TXXX

1.25mm Crimp Style Connectors Terminal

APPROVED BY	SCALE	UNIT	TOLERANCE	LTR	REVISION RECORD	NAME	DATE	LTR	REVISION RECORD	NAME	DATE
張育瑞		mm	.0 ±0.30	▲	Modify Spec.	Wen	2005/09/20	▲	新增電鍍規格	Eddie	2020/10/22
CHECKED BY	PROJ	VER NO.	.00 ±0.20	▲	Chang Lost	XXX	XXXX/XX/XX	▲	add cs logo mark	Erin	2022/08/24
劉娜		a10	.000 ±0.10	▲	Modify tolerance	Ping	2010/05/05	▲	修正描述	謝君	2023/03/14
DRAWN BY	DATE	SIZE	ANGLE		▲	CUSTOMER					
謝君	2023/03/14	A4	0° ±1°	▲	Add Finish options	Wanying	2015/08/25	Conforms to The RoHS Instruction			
			0° ±	▲	add packing figure	Jeff	2016/06/15				
				▲	新增TP料號規格	劉娜	2018/07/17				
SHEET	1/1			▲	修正耐電壓規格	Eddie	2020/07/28				