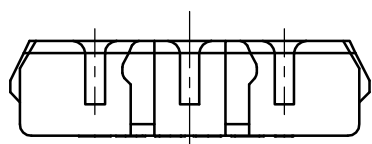
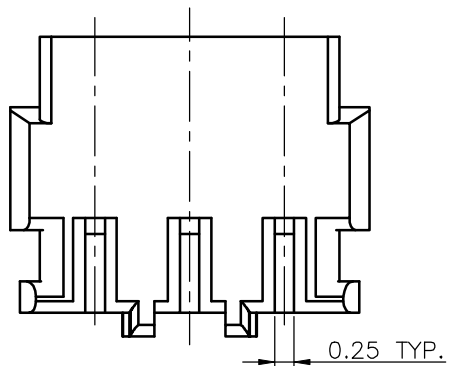
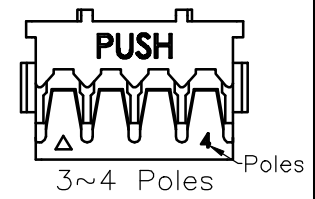
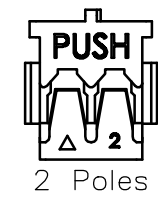


SECTION A-A



REV.	ECN NO.	REVISIONS	REV.DRAWN	DATE
A		正式版发行	Asimo	2010/01/08
B		增加无卤代码	sunquan	2010/11/11
C		增加本色产品规格	sunquan	2011/05/13

NOTES:
 1. MATERIAL:PA66+15%GF,UL94V-0
 2. Q'TY : 2,000 PCS/BAG
 3. PART No.
 JS-1201-XX-XX-XX
 POLES:02~04
 BLANK&BK:BLACK
 NA:NATURE
 BLANK: NORMAL
 NH: HALOGEN FREE
 4. HALOGEN FREE PRODUCT IDENTIFICATION LOGO ON THE PACKING

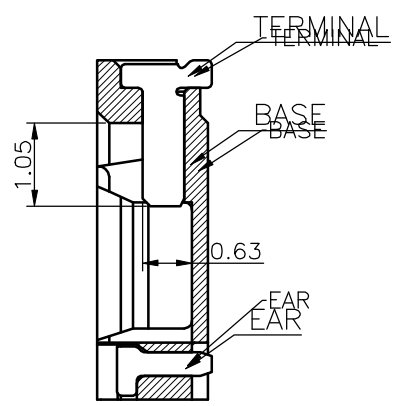
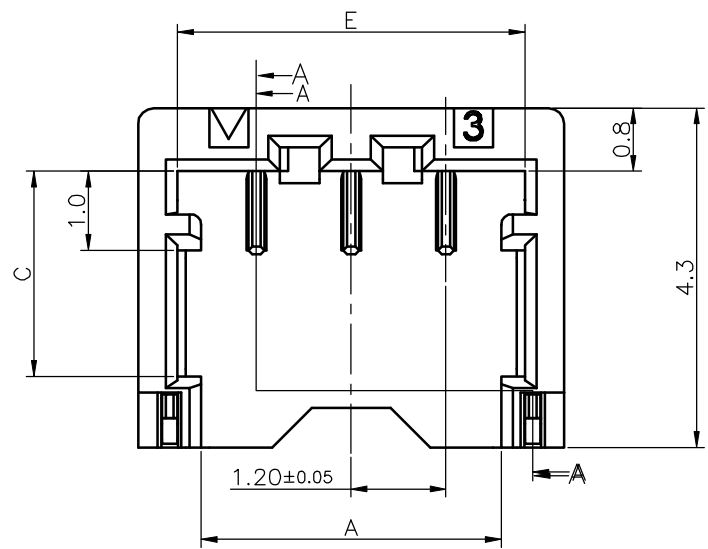


POLES	A	B	C	D
02	2.60	-	3.35	2.60
03	3.80	2.40	4.55	2.60
04	5.00	3.60	5.75	2.30

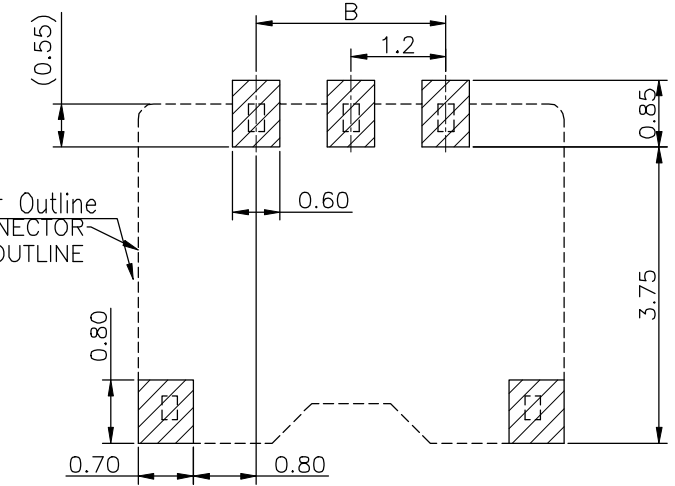
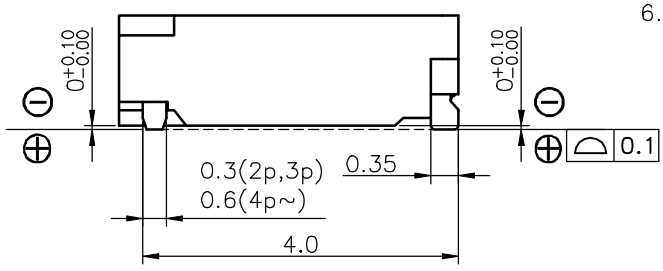
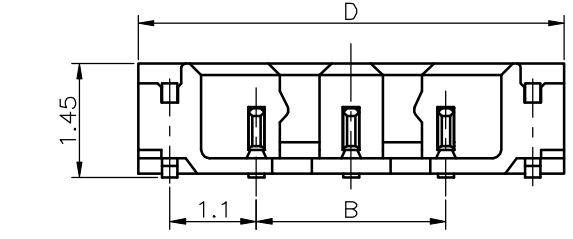
X. ± 0.20	X.* ± 3.0°	UNITS: mm	NAME(INTENDED USE):	
.X ± 0.10	.X* ± 1.0°	MATERIAL:	Customer	
.XX ± 0.05	.XX* ± 0.5°	SEE NOTE	PART NO.(INTENDED USE):	TITLE:
.XXX± 0.03	.XXX*± --°	FINISH:	JS-1201-XX	1.20mm Pitch Wire to Board Connector
THESE DRAWINGS AND SPECIFICATIONS ARE THE PROPERTY OF CHYAO SHUINN ELECTRONIC CO., LTD. AND SHALL NOT BE REPRODUCED, COPIED OR USED IN ANY MANNER WITHOUT THE PRIOR WRITTEN CONSENT OF CHYAO SHUINN ELECTRONIC CO., LTD.		SEE NOTE	APPD: liuzhiwen 2011/05/13	DWG NO.:
		SEE NOTE	CHKD:	020-0124-1201-XX
		SEE NOTE	DR: Asimo 2010/01/08	SCALE SHEET REV.
				10:1 1/1 c

符合环境管理物质





SECTION A-A



RECOMMENDED P.C.B LAYOUT(TOP VIEW)

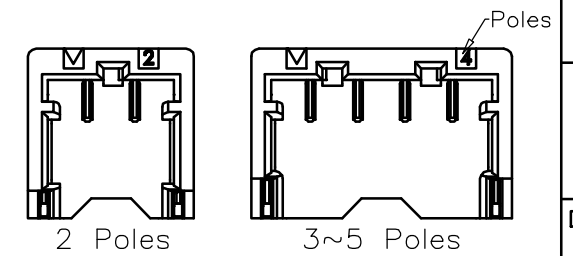
GENERAL TOLERANCE: ±0.05

REV.	ECN NO.	REVISIONS	REV.DRAWN	DATE
A	/	正式版发行	Asimo	2009/11/05
B	/	增加黑色产品规格	sunquan	2011/09/22
C	11043	变更电镀代码	sunquan	2011/12/30
D	----	增加5P规格	sunquan	2013/09/02

NOTES:

- MATERIAL:
 BASE: HIGH TEMP. PLASTIC, UL94V-0
 COLOR: NATURE/BLACK
 TERMINAL: COPPER ALLOY FINISH:SEE PART No.
 EAR: COPPER ALLOY T=0.20 TIN PLATED
- ⊗ INDICATES MAJOR DIMENSIONS
- ▼ INDICATES CONTROLLED DIMENSIONS
- MATE WITH: JS-1201-XX SERIES
- PART No.
 JS-1202-XXXX-XX-XX
 POLES:02~05
 BLANK:TIN PLATED
 GO:GOLD FLASH
 BLANK: NORMAL
 NH: HALOGEN FREE
 BLANK: NATURE
 BK: BLACK

6. HALOGEN FREE PRODUCT IDENTIFICATION LOGO ON THE PACKING

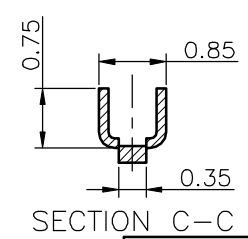
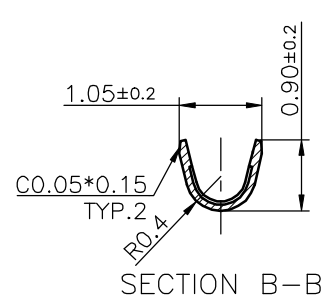
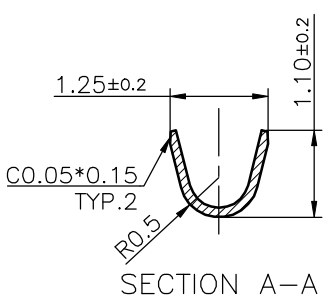
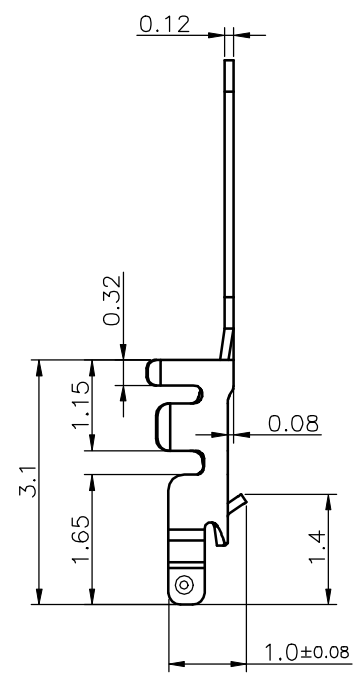
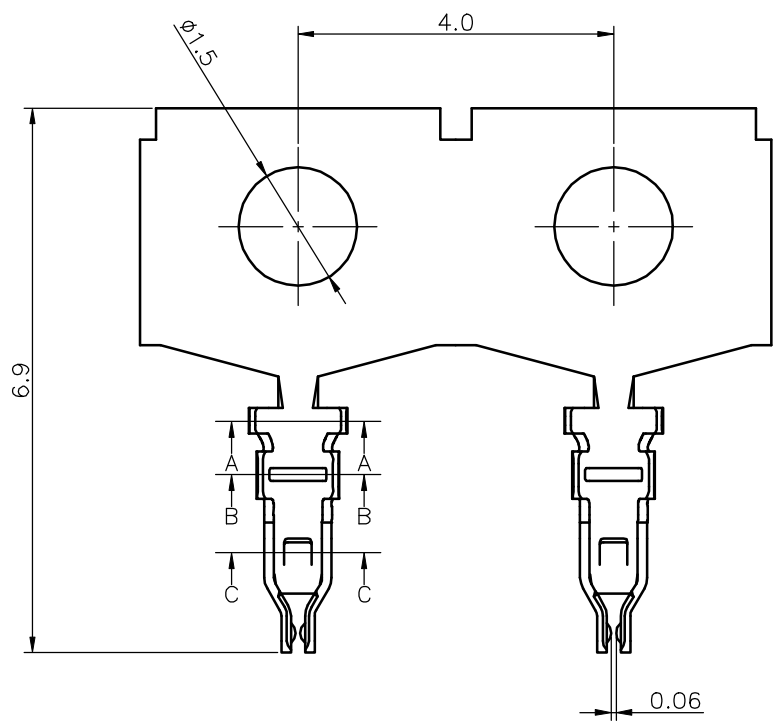


POLES	A	B	C	D	E
02	2.6	-	2.6	4.2	3.2
03	3.8	2.4	2.6	5.4	4.4
04	5.0	3.6	2.3	6.6	5.6
05	6.2	4.8	2.3	7.8	6.8

X. ± 0.30	X.* ± 3.0'	UNITS: mm	NAME(INTENDED USE):	
.X ± 0.20	.X* ± 1.0'	MATERIAL:	Customer	
.XX ± 0.10	.XX* ± 0.5'	SEE NOTE	PART NO.(INTENDED USE):	TITLE:
.XXX± 0.05	.XXX*± --'	FINISH:	JS-1202-XX	1.20mm Pitch Wire to Board Connector
THESE DRAWINGS AND SPECIFICATIONS ARE THE PROPERTY OF CHYAO SHUINN ELECTRONIC CO., LTD. AND SHALL NOT BE REPRODUCED, COPIED OR USED IN ANY MANNER WITHOUT THE PRIOR WRITTEN CONSENT OF CHYAO SHUINN ELECTRONIC CO., LTD.		SEE NOTE	APPD:	DWG NO.:
		SEE NOTE	CHKD:	020-0125-1202-XX
		SEE NOTE	DR:	Asimo 2009/11/05
				SCALE SHEET REV.
			10:1	1/1 D

符合环境管理物质

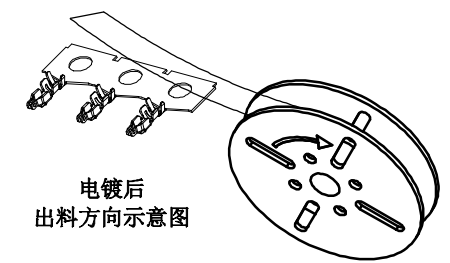




REV.	ECN NO.	REVISIONS	REV.DRAWN	DATE
A		正式版发行	Asimo	2010/01/08
B		增加亮锡电镀规格	sunquan	2010/12/07

- NOTES:
- MATERIAL: COPPER ALLOY
 - FINISH: SEE PART No.
 - Q'TY : 20,000 PCS/REEL
 - APPLICABLE WIRES: AWG#30~28
 - PART No.
JS-1201-TXX

TIN PLATED — 2: SN>100μ" NI>30μ"
 GOLD PLATED — G0: AU>0.8μ" NI>30μ"



X. ± 0.50	X.* ± 5.0°	UNITS: mm	NAME(INTENDED USE):	
.X ± 0.30	.X* ± 2.0°	MATERIAL:	Customer	
.XX ± 0.20	.XX* ± 1.0°	SEE NOTE	PART NO.(INTENDED USE):	TITLE:
.XXX± 0.10	.XXX*± --	FINISH:	JS-1201-T	1.20mm Pitch Wire to Board Connector
THESE DRAWINGS AND SPECIFICATIONS ARE THE PROPERTY OF CHYAO SHUINN ELECTRONIC CO., LTD. AND SHALL NOT BE REPRODUCED, COPIED OR USED IN ANY MANNER WITHOUT THE PRIOR WRITTEN CONSENT OF CHYAO SHUINN ELECTRONIC CO., LTD.		SEE NOTE	APPD: liuzhiwen 2010/12/07	DWG NO.:
		Q'TY:	CHKD:	020-0125-1201-T
		SEE NOTE	DR: Asimo 2010/01/08	SCALE SHEET REV.
				10:1 1/1 B

符合环境管理物质

