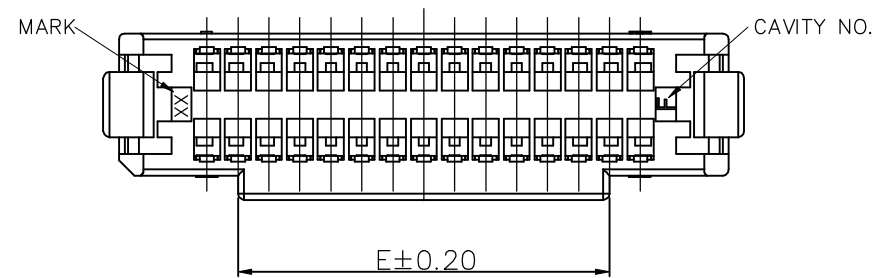
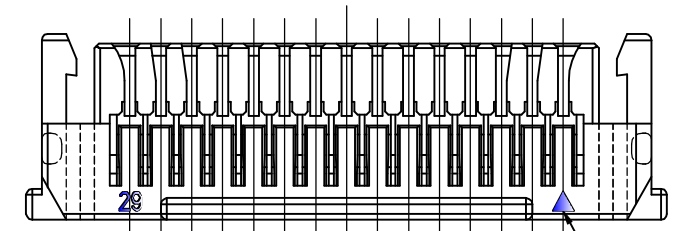
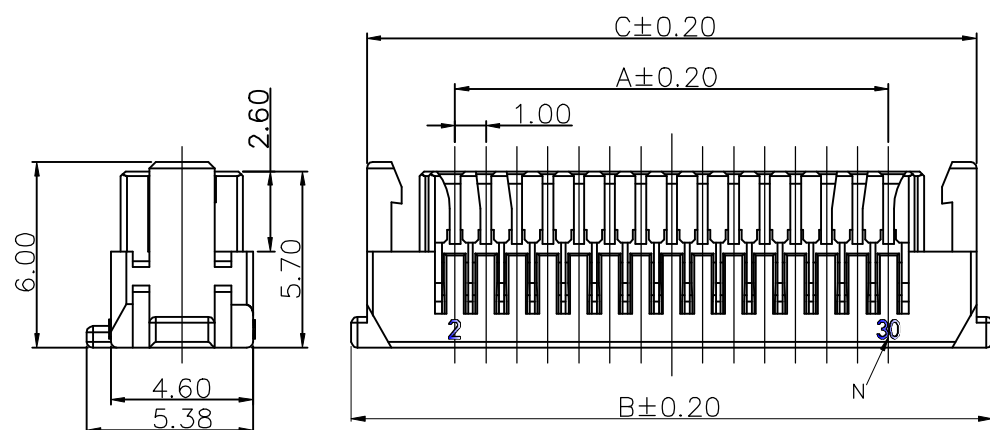
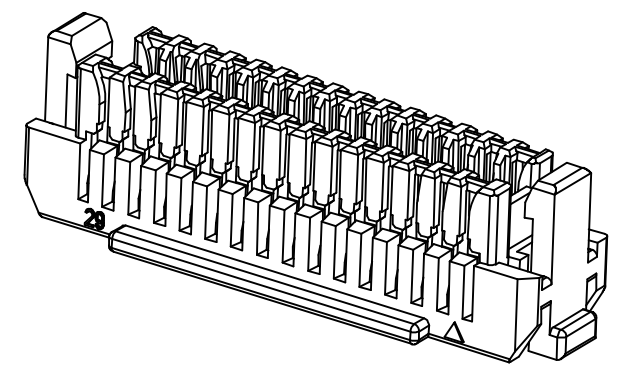
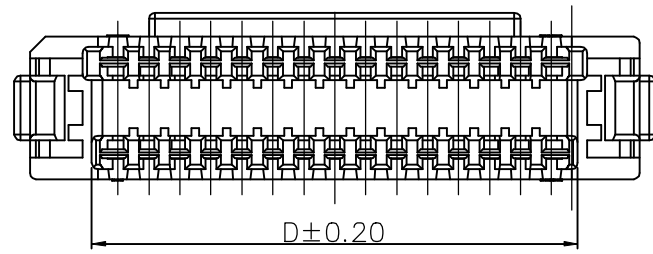


REV	ECN.NO.	REVISIONS	REV.DRAWN	DATE
B		修正耐电压、绝缘阻抗规格值	sunquan	2011.10.12
C	12033	增加Tube包装方式	sunquan	2012.06.01
D		新增规格	YangSong	2015.04.13



SPECIFICATION

- . Voltage Rating : 50V AC/DC
- . Current Rating : 1A AC/DC
- . Withstanding Voltage : 500V AC/minute
- . Insulation Resistance : 100MΩ min
- . Temperature Range : -25°C to +85°C
- . Contact Resistance : 20mΩ max

HOUSING

- . Part No : JS-1288-XX-X
- Poles Bank: Bag
- U: Tube

- . Poles : 16&20&30&40&50
- . Material : PBT UL94V-0
- . Packing : Bag&Tube

Poles	DIM.A	DIM.B	DIM.C	DIM.D	DIM.E
16	7.0	13.7	12.7	8.7	5.0
20	9.0	15.7	14.7	10.7	7.0
30	14.0	20.7	19.7	15.7	12.0
40	19.0	25.7	24.7	20.7	17.0
50	24.0	30.7	29.7	25.7	22.0

X.	±0.40	X'±	5.0'	UNITS	mm
.X	±0.30	.X'±	2.0'		
.XX	±0.20	.XX'±	1.0'	FINISH	
.XXX	±0.10	.XXX'±	---		
THESE DRAWINGS AND SPECIFICATIONS ARE THE PROPERTY OF CHYAO SHIUNN ELECTRONIC CO., LTD. AND SHALL NOT BE REPRODUCED, COPIED OR USED IN ANY MANNER WITHOUT THE PRIOR WRITTEN CONSENT OF CHYAO SHIUNN ELECTRONIC CO., LTD.					
Q'TY					

NAME(INTENDED USE)		CHYAO SHIUNN ELECTRONIC (SHANGHAI) CO.,LTD.
CUSTOMER		
PART NO.(INTENDED USE)		TITLE:
JS-1288-XX		SHLD Connector HOUSING
APPD:		DWG NO.:
		020-0036-1288-XX
CHKD:		SCALE SHEET REV.
DR: sunquan	2011.10.12	
		4:1 1/1 D



符合环境管理物质

REV	ECN.NO.	REVISIONS	REV.DRAWN	DATE
F	----	增加端子、耳扣镀锡规格	sunquan	11-09/15
G	----	修正耐电压、绝缘阻抗规格值	sunquan	11-10/12
H	----	增加无卤代码	sunquan	12-02/23
I	----	新增规格	YangSong	15-04/13
J	----	新增规格	YangSong	16-02/24

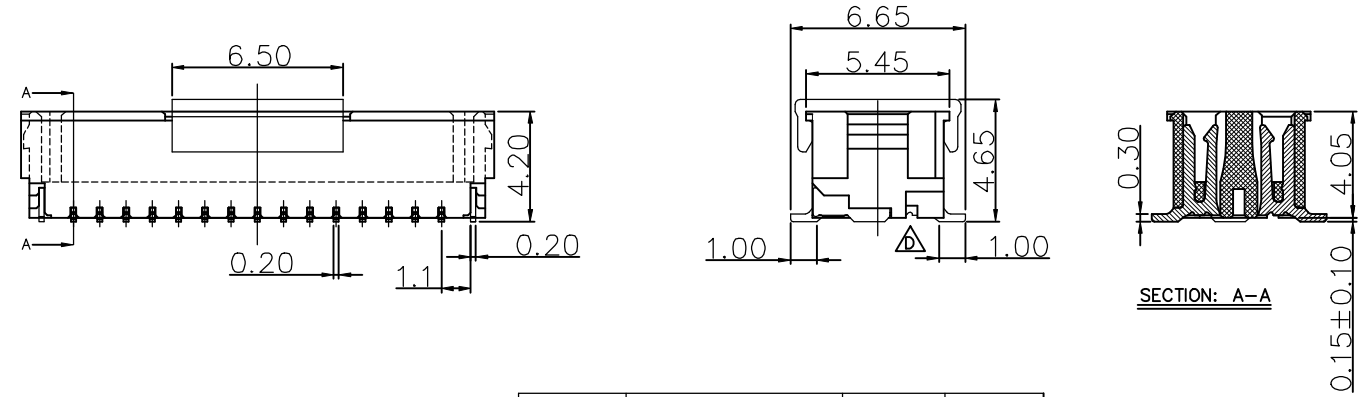
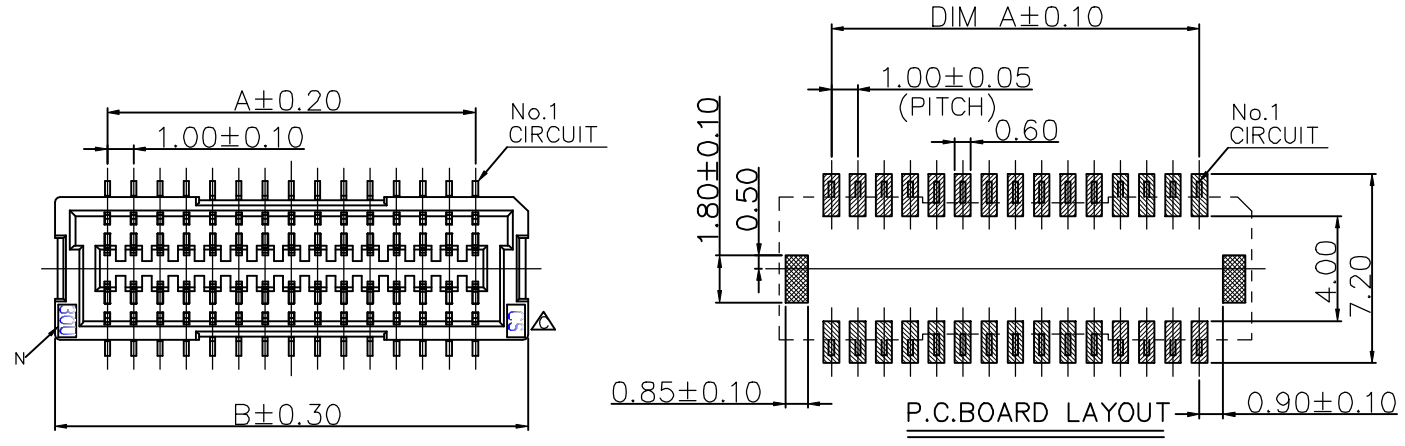
SPECIFICATION

- . Voltage Rating : 50V AC/DC
- . Current Rating : 1A AC/DC
- . Withstanding Voltage : 500V AC/minute
- . Insulation Resistance : 100MΩ min
- . Temperature Range : -25℃ to +85℃
- . Contact Resistance : 20mΩ max
- . Peel Strength of Cover Tape : 10gf~130gf

WAFER

- . Part No : JS-1289-XXWLXX-XX-NH
- Blank: with 'CS' logo
- WL: without 'CS' logo
- Blank: Contact: Gold Plated
- EAR: Tin Plated
- G: Contact,EAR: Gold Plated
- T: Contact,EAR: Tin Plated
- Blank: Normal
- NH: Halogen Free
- Blank: Nature
- BK: Black

- . Poles : 16&20&30&40&50
- . Material : Contact : Phosphor Bronze,
Tin Plated(Sn>100μ",Ni>30μ")
Gold Plated(AU>3μ",Ni>30μ")
EAR: Brass,Tin Plated(Sn>100μ",Ni>30μ")
Gold Plated(AU>0.8μ",Ni>30μ")
Cap : PA9T UL94V-0
Base : PA9T UL94V-0
- . Q'ty : 1'000pcs/Tape&Reel
- . Halogen free product identification LOGO on the packing
- Mated Housing: JS-1288-XX
- Terminal: JS-1288-T



Poles	Part No.	DIM.A	DIM.B
16	JS-1289-16	7.0	11.0
18	JS-1289-18	8.0	12.0
20	JS-1289-20	9.0	13.0
30	JS-1289-30	14.0	18.0
40	JS-1289-40	19.0	23.0
50	JS-1289-50	24.0	28.0

X.± 0.40		X°.± 5.0°	UNITS mm	NAME(INTENDED USE) CUSTOMER	CHYAO SHIUNN ELECTRONIC (SHANGHAI) CO.,LTD.
.X± 0.30		.X°± 2.0°			
.XX± 0.20		.XX°± 1.0°	MAT'L	PART NO.(INTENDED USE) JS-1289-XX	TITLE: 1.00mm Crimp Style Connector
.XXX± 0.10		.XXX°± ---			
THESE DRAWINGS AND SPECIFICATIONS ARE THE PROPERTY OF CHYAO SHIUNN ELECTRONIC CO., LTD. AND SHALL NOT BE REPRODUCED, COPIED OR USED IN ANY MANNER WITHOUT THE PRIOR WRITTEN CONSENT OF CHYAO SHIUNN ELECTRONIC CO., LTD.			FINISH	APPD:	DWG NO.: 020-0073-1289-XX
				Q'TY	
				DR: sunquan	11-05/10
				SCALE SHEET REV. 2:1 1/1 /	



符合环境管理物质

REV	ECN.NO.	REVISIONS	REV.DRAWN	DATE
C		更改包线角尺寸公差	YU	07-09/13
D	10071	修改卡点尺寸以及公差	Asimo	2010/09/01
E	----	更正电镀规格	sunquan	2011/05/10
F	----	修正耐电压、绝缘阻抗规格值	sunquan	2011/10/12

SPECIFICATIONS

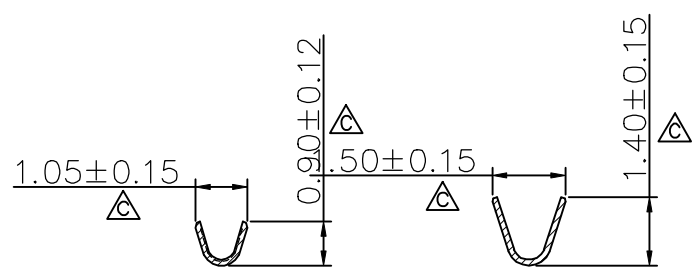
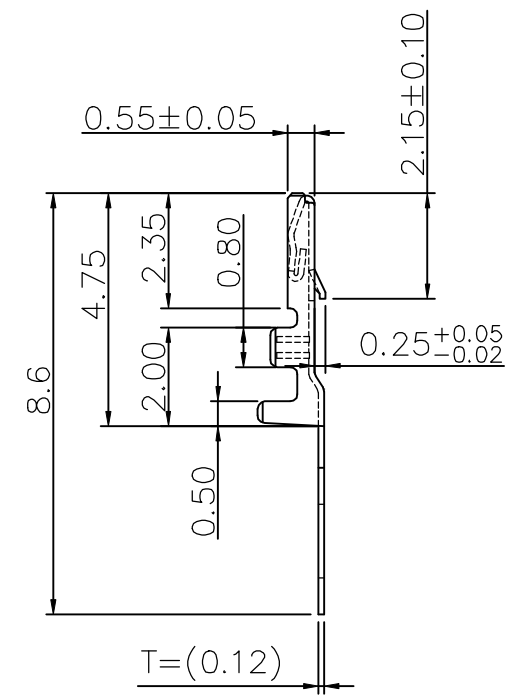
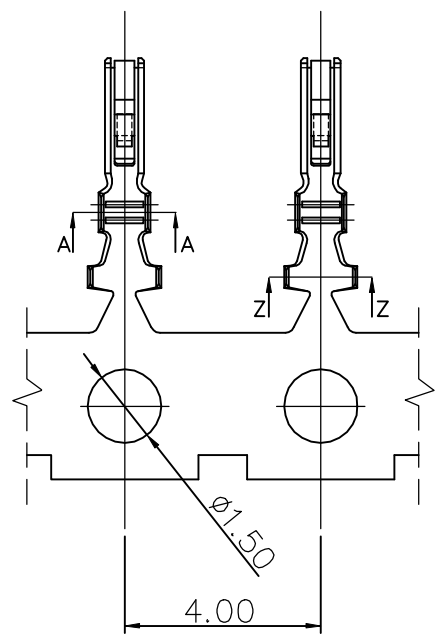
- . Voltage Rating : 50V AC/DC
- . Current Rating : 1A AC/DC
- . Withstanding Voltage : 500V AC/minute
- . Insulation Resistance : 100MΩ min
- . Temperature Range : -25°C to +85°C
- . Contact Resistance : 20mΩ max

TERMINAL

. Part No. : JS-1288-TXX

- Tin Plated: P or 2: Sn>100μ" Ni>30μ"
- Gold Plated: G0: Au>0.8μ" Ni>30μ"
- G1: Au>3μ" Ni>30μ"
- G2: Au>5μ" Ni>50μ"
- G3: Au>8μ" Ni>50μ"
- G4: Au>15μ" Ni>50μ"

- . Applicable Wires : AWG# 28-32
- . Material : Phos. Bronze
- . Finish : Tin/Gold Plated
- . Thickness : 0.12mm
- . Q'ty : 15,000 pcs/Reel



SECTION: A-A

SECTION: Z-Z



符合环境管理物质

X.± 0.40	X°.± 5.0°	UNITS mm	NAME(INTENDED USE) CUSTOMER	CHYAO SHUINN ELECTRONIC (SHANGHAI) CO.,LTD.
.X± 0.30	.X°.± 2.0°			
.XX± 0.20	.XX°.± 1.0°	FINISH	PART NO.(INTENDED USE) JS-1288-TXX	TITLE: SHLD CONNECTOR TERMINAL
.XXX± 0.10	.XXX°.± ---		Q'TY	APPD: liuzhiwen 2011/10/12
THESE DRAWINGS AND SPECIFICATIONS ARE THE PROPERTY OF CHYAO SHUINN ELECTRONIC CO., LTD. AND SHALL NOT BE REPRODUCED, COPIED OR USED IN ANY MANNER WITHOUT THE PRIOR WRITTEN CONSENT OF CHYAO SHUINN ELECTRONIC CO., LTD.		CHKD:		DR: Asimo 2010/09/01