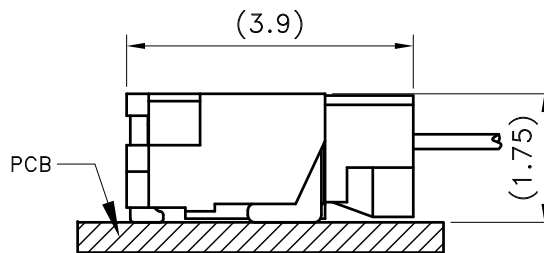
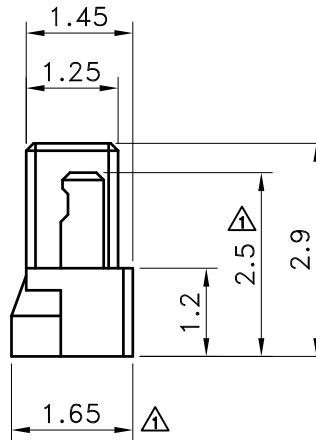
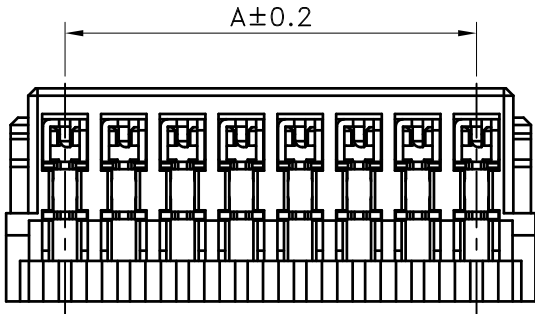


3D VIEW



Assembly Layout

SPECIFICATIONS

- Current rating : 0.5A AC/DC(AWG#32)
0.2A AC/DC(AWG#36)
- Withstanding voltage : 200V AC/minute
- Insulation resistance : 100MΩ min. initial
- Temperature range : - 25°C to + 85°C
- Contact resistance : 20mΩ max.

IDC HOUSING

- Part Code : JS-ID0800-XX XX XX
① ② ③

- ① Poles : 02~20
- ② Plating : Blank : Gold Plated \triangle
T0 : Tin Plated
- ③ Colour: Blank :Natural color
BK:Black \triangle

- Material :
 \triangle 1. Contact : Copper Alloy, Tin Plated or Gold Plated
2. Base : Nylon 66 + 30% Glass Fiber(Non-Halogen), UL 94V-0,
- Insulation O.D. : ϕ 0.39mm \triangle
- Q`ty : 2,000Pcs/Bag

Halogen Free

Poles	Dimensions(mm)		Poles	Dimensions(mm)	
	A	B		A	B
2	0.80	2.40	12	8.80	10.40
3	1.60	3.20	13	9.60	11.20
4	2.40	4.00	14	10.40	12.00
5	3.20	4.80	15	11.20	12.80
6	4.00	5.60	16	12.00	13.60
7	4.80	6.40	17	12.80	14.40
8	5.60	7.20	18	13.60	15.20
9	6.40	8.00	19	14.40	16.00
10	7.20	8.80	20	15.20	16.80
11	8.00	9.60			



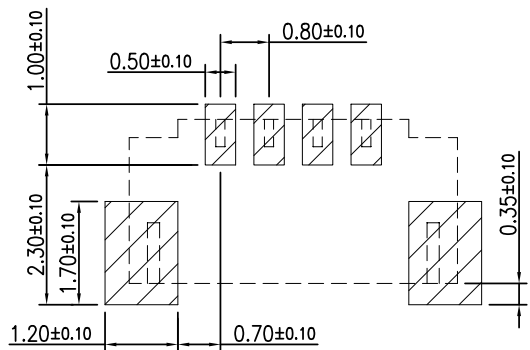
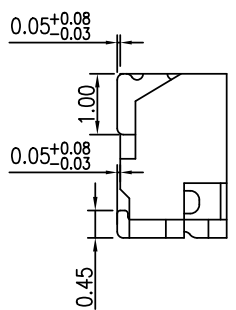
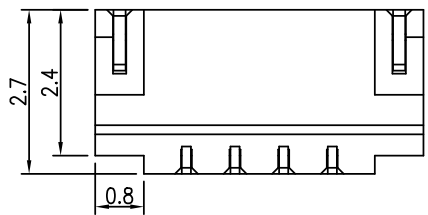
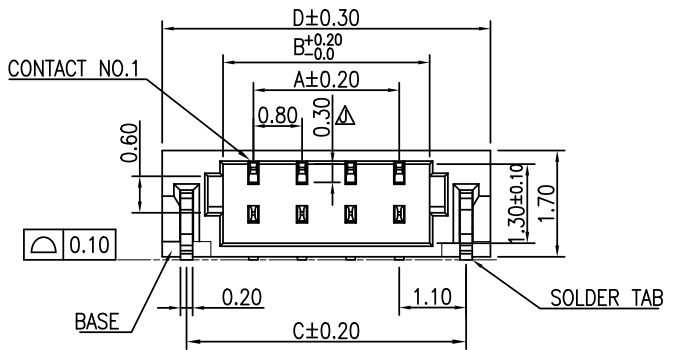
喬訊電子工業股份有限公司
CHYAO SHIUNN
ELECTRONIC INDUSTRIAL LTD.

PART NO JS-ID0800-XX

0.80mm WIRE TO BOARD INSULATION DISPLACEMENT CONNECTOR, IDC HOUSING

APPROVED BY	SCALE	UNIT	TOLERANCE	LTR	REVISION RECORD	NAME	DATE	LTR	REVISION RECORD	NAME	DATE
張育瑞		mm	.0 ±0.30	\triangle	新增尺寸	黃科源	2008/05/13	\triangle			
CHECKED BY	PROJ	VER NO.	.00 ±0.20	\triangle	新增Circuit 1示意: 修改物性表	黃科源	2008/09/30	\triangle			
周家慶	\oplus \square	a7	.000 ±0.10	\triangle	新增線材絕緣外徑尺寸	黃科源	2009/09/16	\triangle			
DRAWN BY	DATE	SIZE	ANGLE		變更原因遺失	林文泰	2010/03/16	CUSTOMER			
曾慶根	2016/12/07	A4	0° ±1°	\triangle	修改鍍層敘述	王誠賢	2012/02/17				
			0° ±	\triangle	圖面增加Halogen Free 標示	吳弘文	2015/04/23	Conforms to The RoHS Instruction			
			SHEET 1/1	\triangle	圖面增加BK(黑色)選項	曾慶根	2016/12/07				

A4



RECOMMENDED P.C.B LAYOUT

REV.	ECN.NO	REVISIONS	REV.DRAWN	DATE
I	----	修改料号编码	Xu	2010/05/06
J	----	增加尺寸标注	sunquan	2011/08/03
K	----	增加电镀膜厚表述	sunquan	2011/11/04
L	----	增加电镀膜厚上限	zuochao	2013/05/02
M	----	依客户要求变更描述	YangSong	2018/07/04

NOTES:

- MATERIAL:
 - BASE: HIGH TEMP. THERMOPLASTIC, UL94V-0; COLOR:NATURE or BLACK
 - CONTACT: COPPER ALLOY, MATTE TIN/GOLD PLATED
 - SOLDER TAB: COPPER ALLOY, MATTE TIN/GOLD PLATED
- MATE WITH: (HOUSING) UNDEVELOPED
- Q'TY: 3,500 PCS/REEL
- PART NO. JS-ID0801H-XXXX-XX-XX-X
 - POLES: 02~22
 - (NM): MATTE TIN
 - Sn>100μ" Ni>30μ"
 - GO: GOLD PLATED
 - 3μ">Au>0.8μ" Ni>30μ"
 - S: PLASTIC PLATE
 - BLANK or P: PAPER PLATE
 - BLANK: NORMAL
 - NH: HALOGEN FREE
 - BLANK: NATURE
 - BK: BLACK
- Halogen free product identification LOGO on the packing

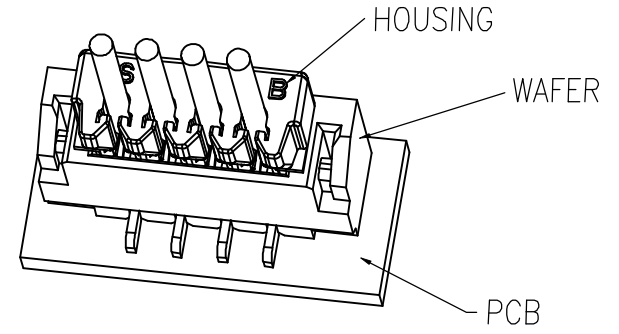
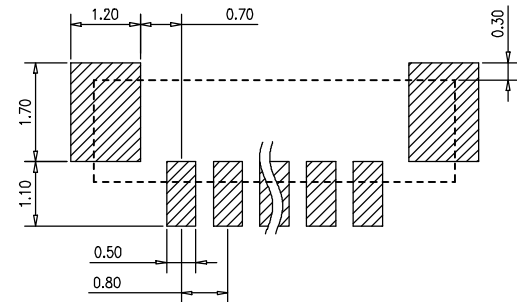
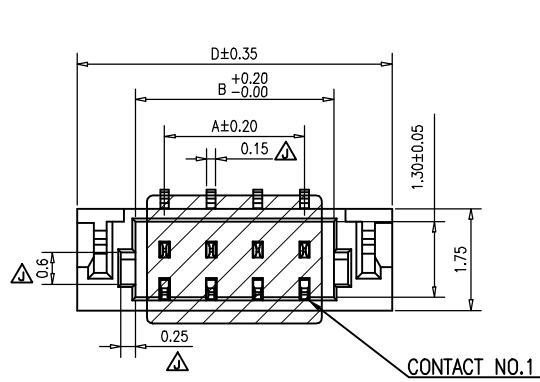
POLES	DIMENSIONS(mm)				POLES	DIMENSIONS(mm)			
	A	B	C	D		A	B	C	D
2	0.80	1.80	3.00	3.80	13	9.60	10.60	11.80	12.60
3	1.60	2.60	3.80	4.60	14	10.40	11.40	12.60	13.40
4	2.40	3.40	4.60	5.40	15	11.20	12.20	13.40	14.20
5	3.20	4.20	5.40	6.20	16	12.00	13.00	14.20	15.00
6	4.00	5.00	6.20	7.00	17	12.80	13.80	15.00	15.80
7	4.80	5.80	7.00	7.80	18	13.60	14.60	15.80	16.60
8	5.60	6.60	7.80	8.60	19	14.40	15.40	16.60	17.40
9	6.40	7.40	8.60	9.40	20	15.20	16.20	17.40	18.20
10	7.20	8.20	9.40	10.20	21	16.00	17.00	18.20	19.00
11	8.00	9.00	10.20	11.00	22	16.80	17.80	19.00	19.80
12	8.80	9.80	11.00	11.80					

X. ±0.40	X.* ±5.0'	UNITS	MM	NAME(INTENDED USE)	乔讯电子(上海)有限公司 CHYAO SHUINN ELECTRONICS(SHANGHAI)CO.,LTD.
.X ±0.30	.X* ±3.0'	MAT'S		CUSTOMER	
.XX ±0.20	-- --	SEE NOTE		PART NO.(INTENDED USE)	TITLE:
-- --	-- --	FINISH		JS-ID0801H-XX	0.8mm WTB CONN. R/A (SMT)
THESE DRAWINGS AND SPECIFICATIONS ARE THE PROPERTY OF CHYAO SHUINN ELECTRONIC CO.,LTD.AND SHALL NOT BE REPRODUCED. COPIED OR USED IN ANY MANNER WITHOUT THE PRIOR WRITTEN CONSENT OF CHYAO SHUINN ELECTRONIC CO.,LTD.				APPV'D	DWG NO.
Q'TY	----	SEE NOTE		CHK'D	020-0113-0801H-XX
DR':	Asimo 2010-05-04			SCALE	SHEET
				8 : 1	1/1
				REV	M

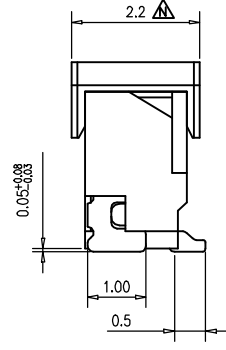
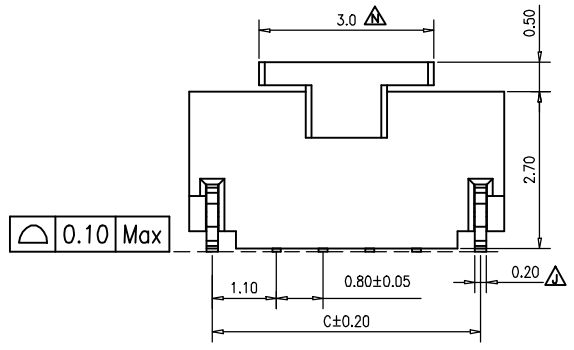
符合环境管理物质



REV	ECN.NO.	REVISIONS	REV.DRAWN	DATE
K	----	增加电镀膜厚描述	sunquan	2012/09/06
L	12051	加大盖子吸附面	sunquan	2012/11/14
M	----	定义CAP颜色为黑色	sunquan	2013/07/19
N	----	加标CAP外形尺寸	YangSong	2015/12/29



Recommended P.C.B Layout

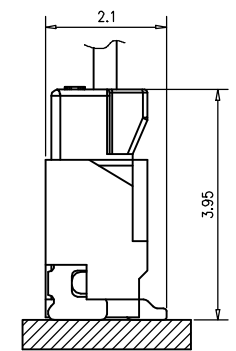


SPECIFICATIONS

- . Rated Voltage : 50V AC/DC
- . Rated Current : 0.7A AC/DC
- . Withstanding Voltage : 200V AC/minute
- . Insulation Resistance ; 100MΩ min
- . Temperature Range : -25°C to +85°C
- . Contact Resistance : 20mΩ max

FEATURES

- . Part No. : JS-ID0801V-XXXX-XX-XXXX
- . Poles : 2~22
- (NM): Matte sn
- Sn>100μ" Ni>30μ"
- G0: Gold Flash
- Au>0.8μ" Ni>30μ"
- Blank: Nature
- BK: Black
- . B: Backward feed
- . Blank: Forward feed
- . S: Plastic Plate
- . Blank&P: Paper Plate
- . Blank: Normal
- . NH: Halogen free
- . Material : Contact : Copper Alloy, T=0.15mm, Gold Plated/Matte sn
- . Mounting Ear : Copper Alloy, T=0.20mm, Gold Plated/Matte sn
- . Base : High Temp Plastic UL 94V-0
- . Cap : High Temp Plastic UL 94V-0; Color : Black
- . Q'ty : 2000 pcs/Reel
- . Halogen free product identification LOGO on the packing



Top entry type

POLES	DIMENSIONS				POLES	DIMENSIONS			
	A	B	C	D		A	B	C	D
2	0.80	1.80	3.00	3.80	13	9.60	10.60	11.80	12.60
3	1.60	2.60	3.80	4.60	14	10.40	11.40	12.60	13.40
4	2.40	3.40	4.60	5.40	15	11.20	12.20	13.40	14.20
5	3.20	4.20	5.40	6.20	16	12.00	13.00	14.20	15.00
6	4.00	5.00	6.20	7.00	17	12.80	13.80	15.00	15.80
7	4.80	5.80	7.00	7.80	18	13.60	14.60	15.80	16.60
8	5.60	6.60	7.80	8.60	19	14.40	15.40	16.60	17.40
9	6.40	7.40	8.60	9.40	20	15.20	16.20	17.40	18.20
10	7.20	8.20	9.40	10.20	21	16.00	17.00	18.20	19.00
11	8.00	9.00	10.20	11.00	22	16.80	17.80	19.00	19.80
12	8.80	9.80	11.00						

X.± 0.40	X'.± 5.0'	UNITS
.X± 0.30	.X'± 2.0'	MAT'L
.XX± 0.20	.XX'± 1.0'	FINISH
.XXX± 0.10	.XXX'± ---	
THESE DRAWINGS AND SPECIFICATIONS ARE THE PROPERTY OF CHYAO SHUINN ELECTRONIC CO., LTD. AND SHALL NOT BE REPRODUCED, COPIED OR USED IN ANY MANNER WITHOUT THE PRIOR WRITTEN CONSENT OF CHYAO SHUINN ELECTRONIC CO., LTD.		Q'TY

NAME(INTENDED USE)	CHYAO SHUINN ELECTRONIC (SHANGHAI) CO.,LTD.
CUSTOMER	
PART NO.(INTENDED USE)	TITLE:
JS-ID0801V-XX	WIRE TO BOARD CONNECTOR
APPD:	DWG NO.:
	020-0113-0801V-XX
CHKD:	SCALE SHEET REV.1
DR: Asimo 2010-05-04	1:1 1/1 /



符合环境管理物质